

Stoddard Silencers, Inc.
 1017 Progress Dr.
 Grayslake, Illinois 60030
 Phone (847) 223-8636

name
 F65V-3 Inline Filter
 With Paper Element

A	no.	45V003
	date	8/30/94
	by	LAL
	appd.	

no.	
revision	
date	
by	
no.	3
REV TITLE	REDRAWN ON CAD
date	3/7/07
by	JG
no.	A
45V003	
3	
rev.	

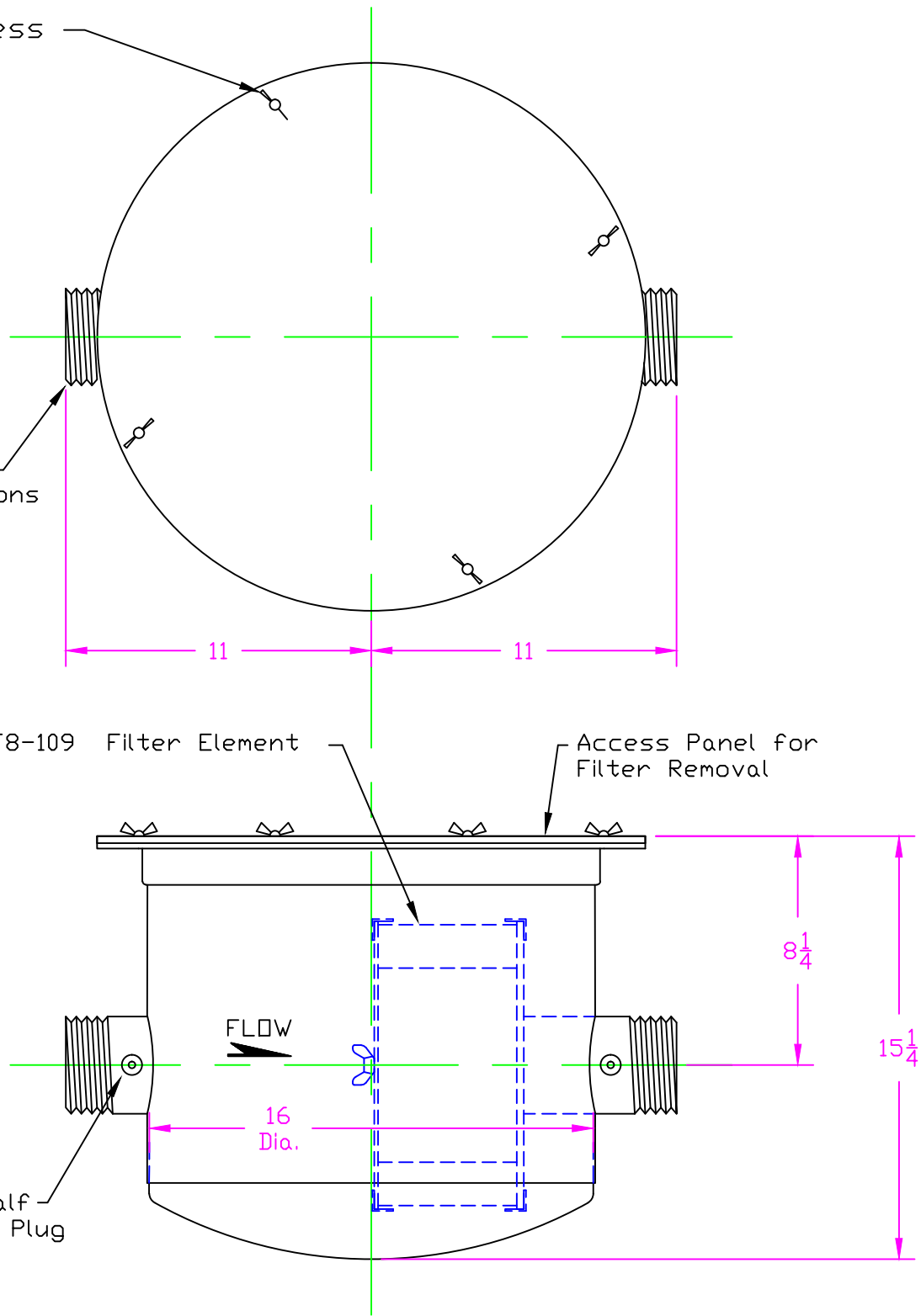
Quick Access Fasteners

3" NPT Connections

F8-109 Filter Element

Access Panel for Filter Removal

(2) 1/4" Half Coupling & Plug



EXTERNAL DIMENSIONS CERTIFIED FOR:

CUST. P.O. No.	S.S. NO. BY	approx. wt.	80	lbs.
		material	Steel	
		finish	Shop Coat Primer	