

Stoddard Silencers, Inc.
 1017 Progress Dr.
 Grayslake, Illinois 60030
 Phone (847) 223-8636

name

F65V-5 Inline Filter with
 With Paper Element

A

no. 45V006

date 8/3/94

by LAL

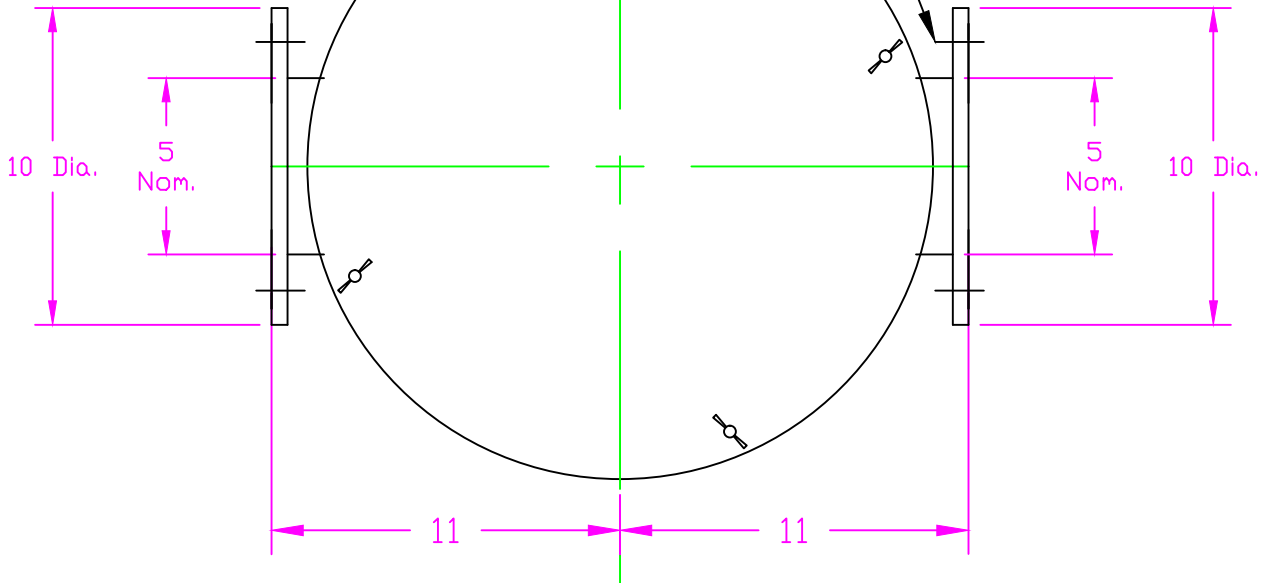
appd.

no.	
revision	
date	
by	
no.	2
	REDRAWN ON CAD
date	6/25/04
by	JG
	A
no.	45V006
rev.	-2

VACUUM USE ONLY

Quick Access
 Fasteners

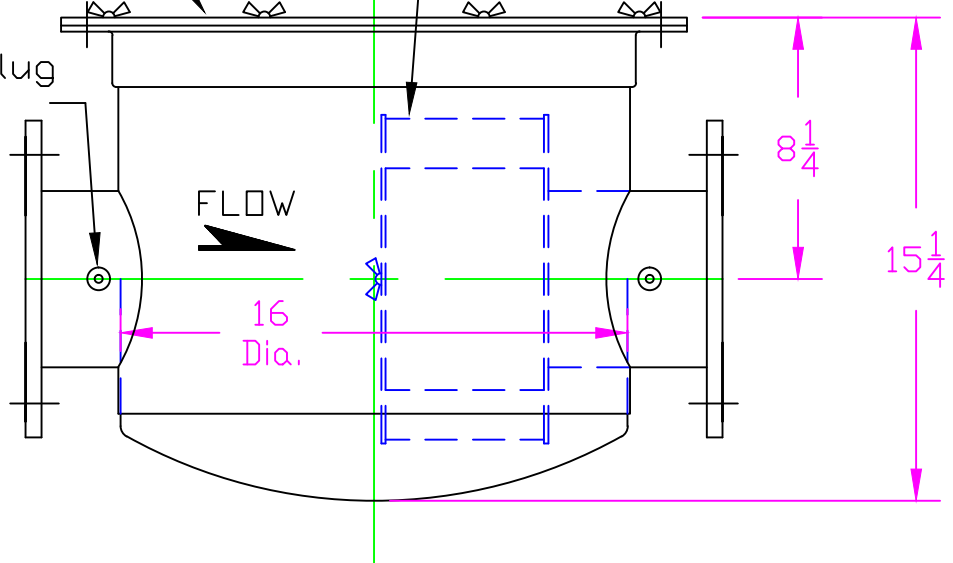
8 Holes, 7/8 Dia. on
 8 1/2 Bolt Circle,
 Straddling Centerlines,
 Both Flanges



Access panel for
 Filter Removal

F8-109 Replaceable
 Element

Coupling and Plug
 (2) 1/4" Half



EXTERNAL DIMENSIONS CERTIFIED FOR:

CUST.
 P.O. No.

S.S. NO.
 BY

approx. wt.	65	lbs.
material	Carbon Steel	
finish	Shop Coat Primer	