

Stoddard Silencers, Inc.  
 1017 Progress Dr.  
 Grayslake, Illinois 60030  
 Phone (847) 223-8636

name

F65V-6 Inline Filter  
 with Paper Element

A

no. 45V007

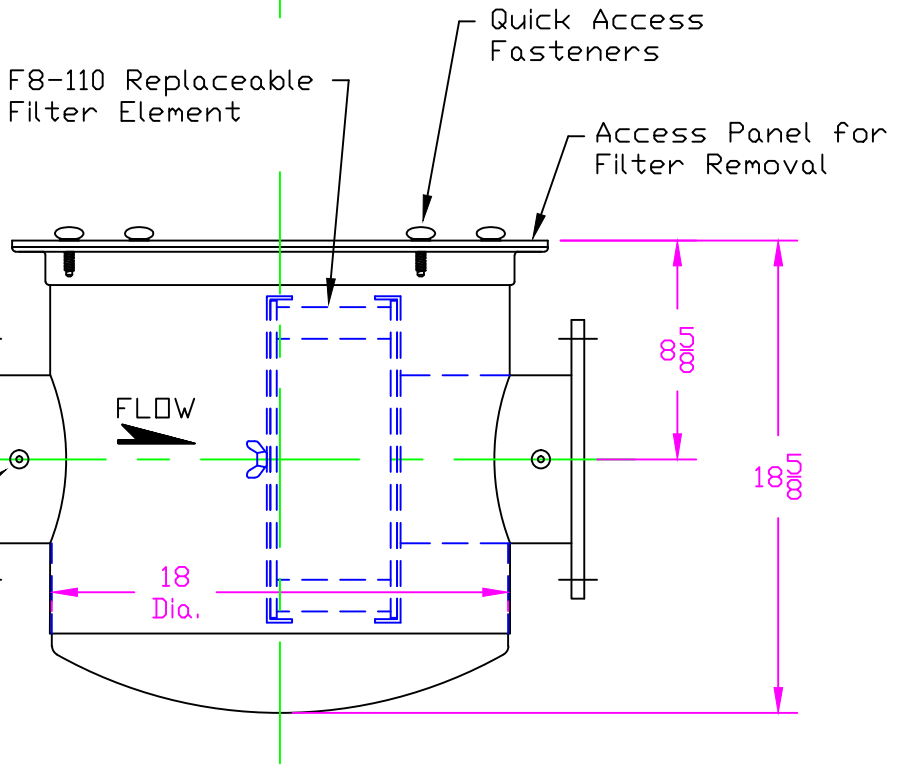
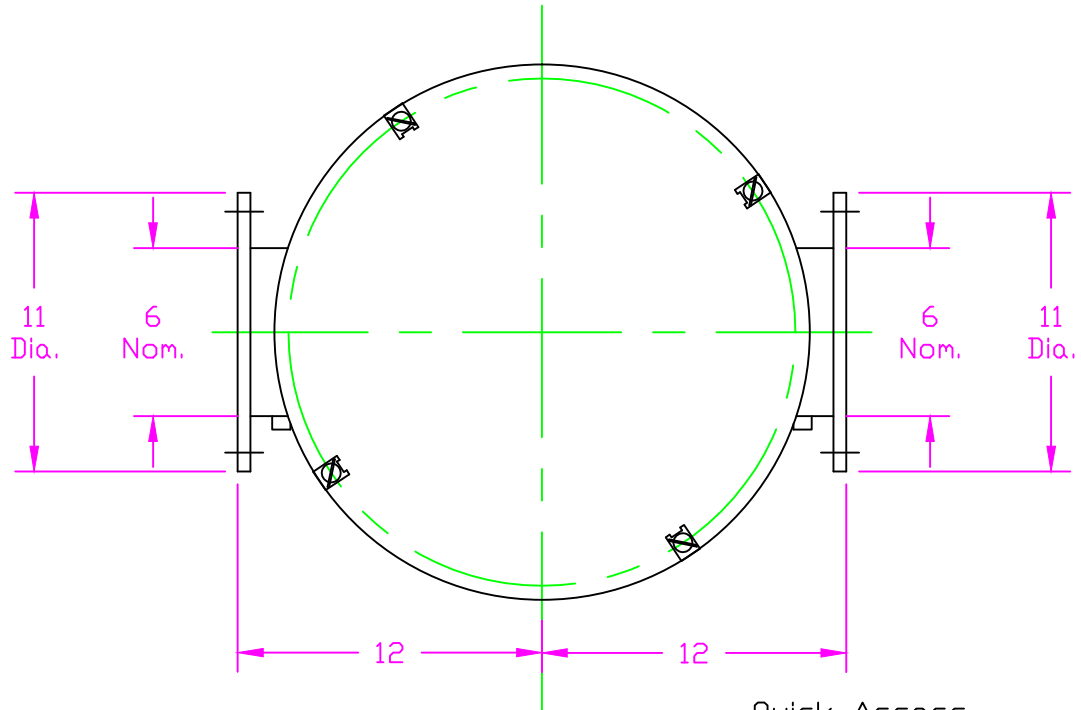
date 8/30/94

by LAL

appd.

no.	
revision	
date	
by	
no.	1
	Finish was enamel
date	9/25/97
by	DJB
	A
no.	45V007
rev.	-1

VACUUM USE ONLY



8 Holes, 7/8" Dia. on  
 9-1/2" Bolt Circle,  
 Straddling Centerlines,  
 Both Flanges

(2) 1/4" Half  
 Coupling & Plug

VACUUM USE ONLY

EXTERNAL DIMENSIONS CERTIFIED FOR:

CUST.  
 P.O. No.

S.S. NO.  
 BY

approx. wt.	100	lbs.
material	Carbon Steel	
finish	Shop Coat Primer	