

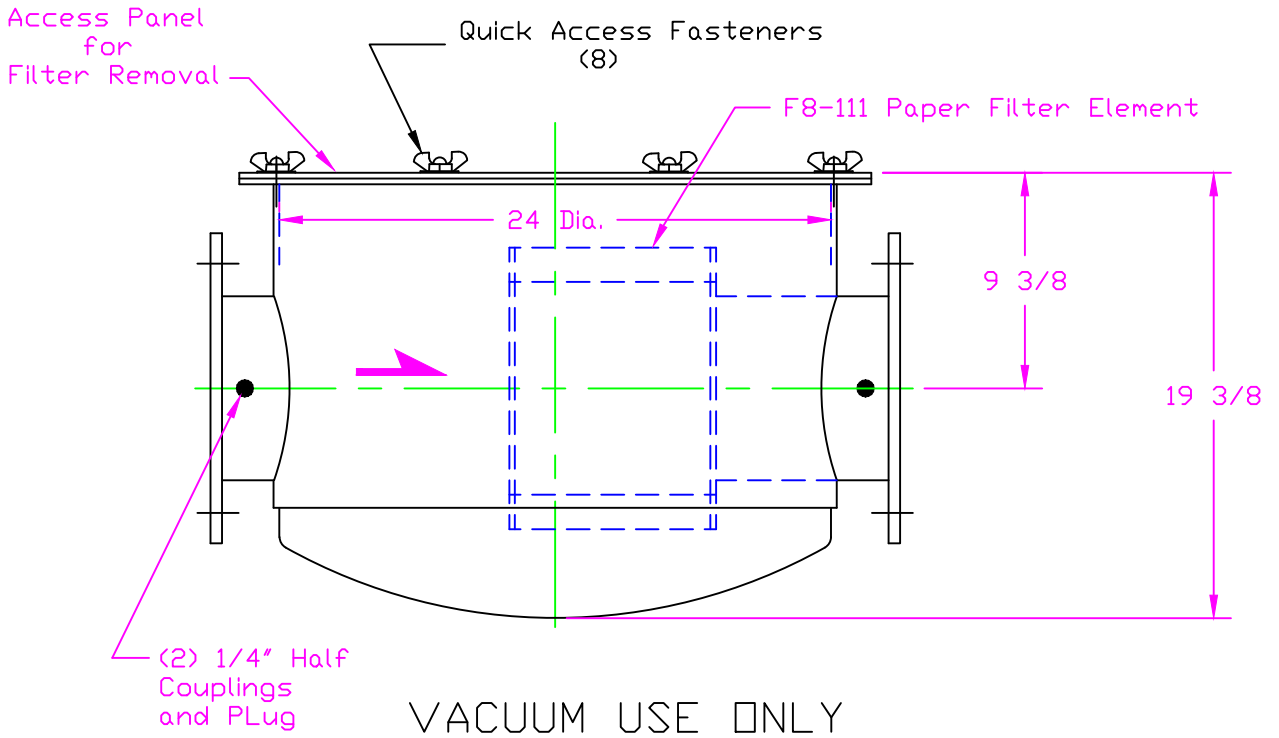
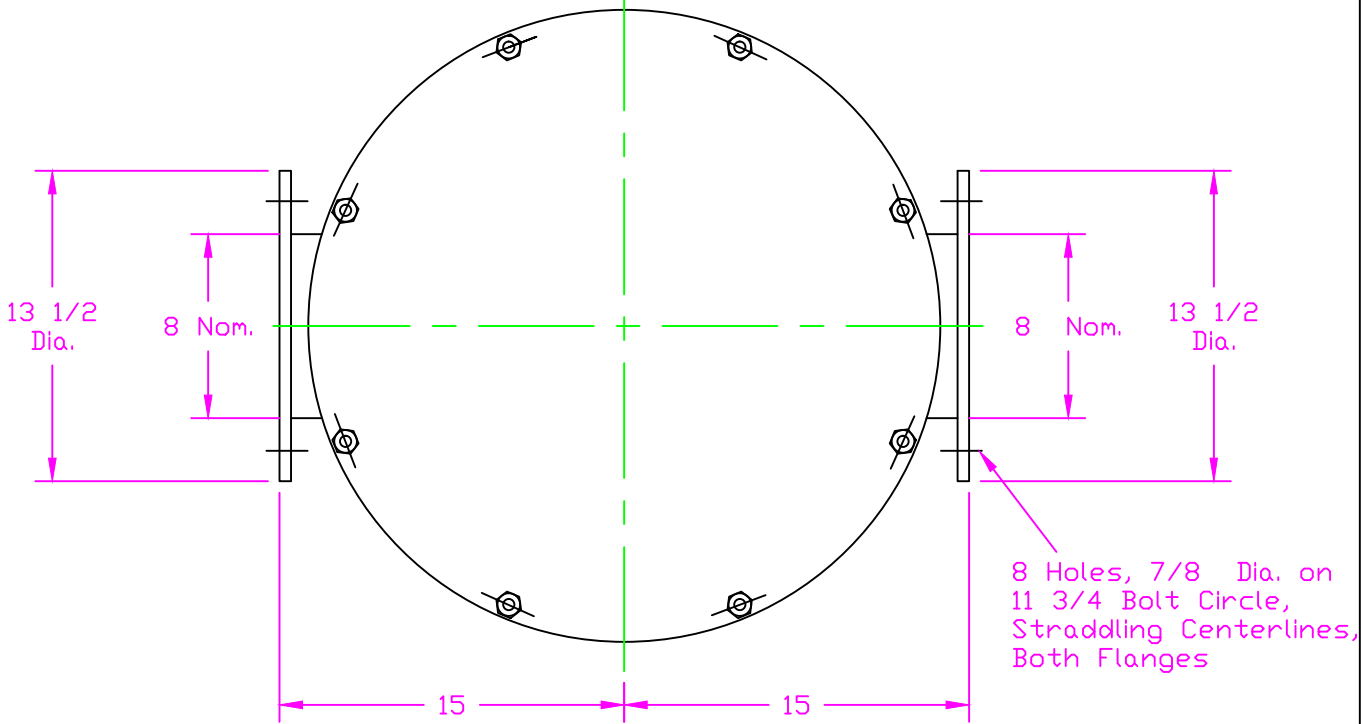
Stoddard Silencers, Inc.
 1017 Progress Dr.
 Grayslake, Illinois 60030
 Phone (847) 223-8636

name
 F65V - 8 INLINE FILTER
 WITH PAPER ELEMENT

A no. 45V008
 date 8/30/94 by LAL
 appd.

no.	
revision	
date	
by	
no.	1
	REDRAWN ON CAD
date	6/25/04
by	JG
A	
no.	45V008
rev.	-1

VACUUM USE ONLY



EXTERNAL DIMENSIONS CERTIFIED FOR:

CUST. P.O. No. S.S. NO. BY

approx. wt. 155 lbs.
 material STEEL
 finish SHOP COAT PRIMER