

Stoddard Silencers, Inc.
 1017 Progress Dr.
 Grayslake, Illinois 60030
 Phone (847) 223-8636

name

F72-4 INTAKE FILTER with
 Polyurathane Filter

A

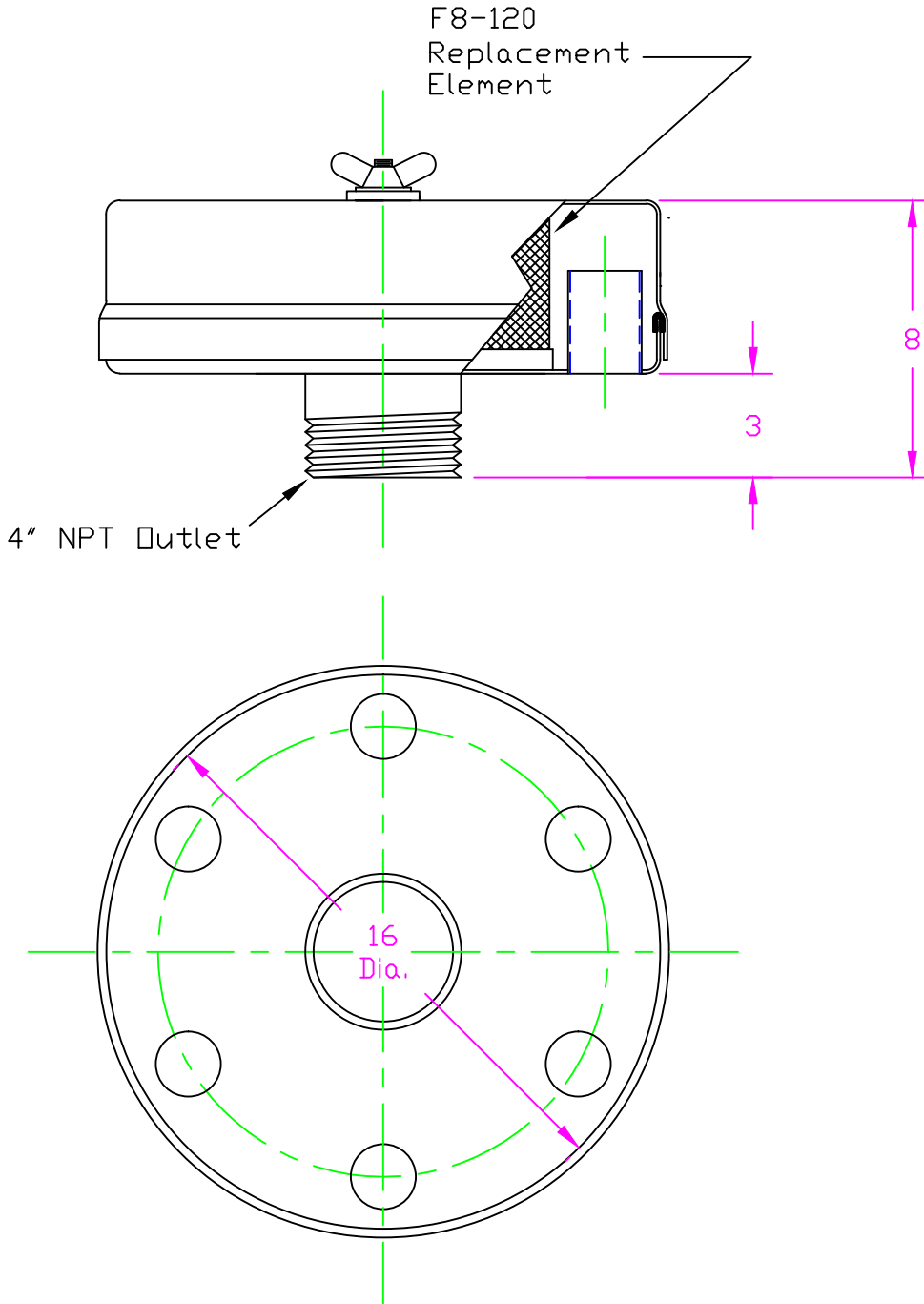
no. 46306

date 3/9/93

by CRC

appd.

no.	
revision	
date	
by	
no.	2
	Changed Finish
no.	1
	Redrawn on Cad
date	12/6/11
by	DSP
	JG
date	4/10/06
by	JG
	A
no.	46A366



EXTERNAL DIMENSIONS CERTIFIED FOR:

CUST.
 P.O. No.

S.S. NO.
 BY

approx. wt.	16	lbs.
material	Carbon Steel	
finish	Blue Powder Coat	

rev.
 R2