

Stoddard Silencers, Inc.
 1017 Progress Dr.
 Grayslake, Illinois 60030
 Phone (847) 223-8636

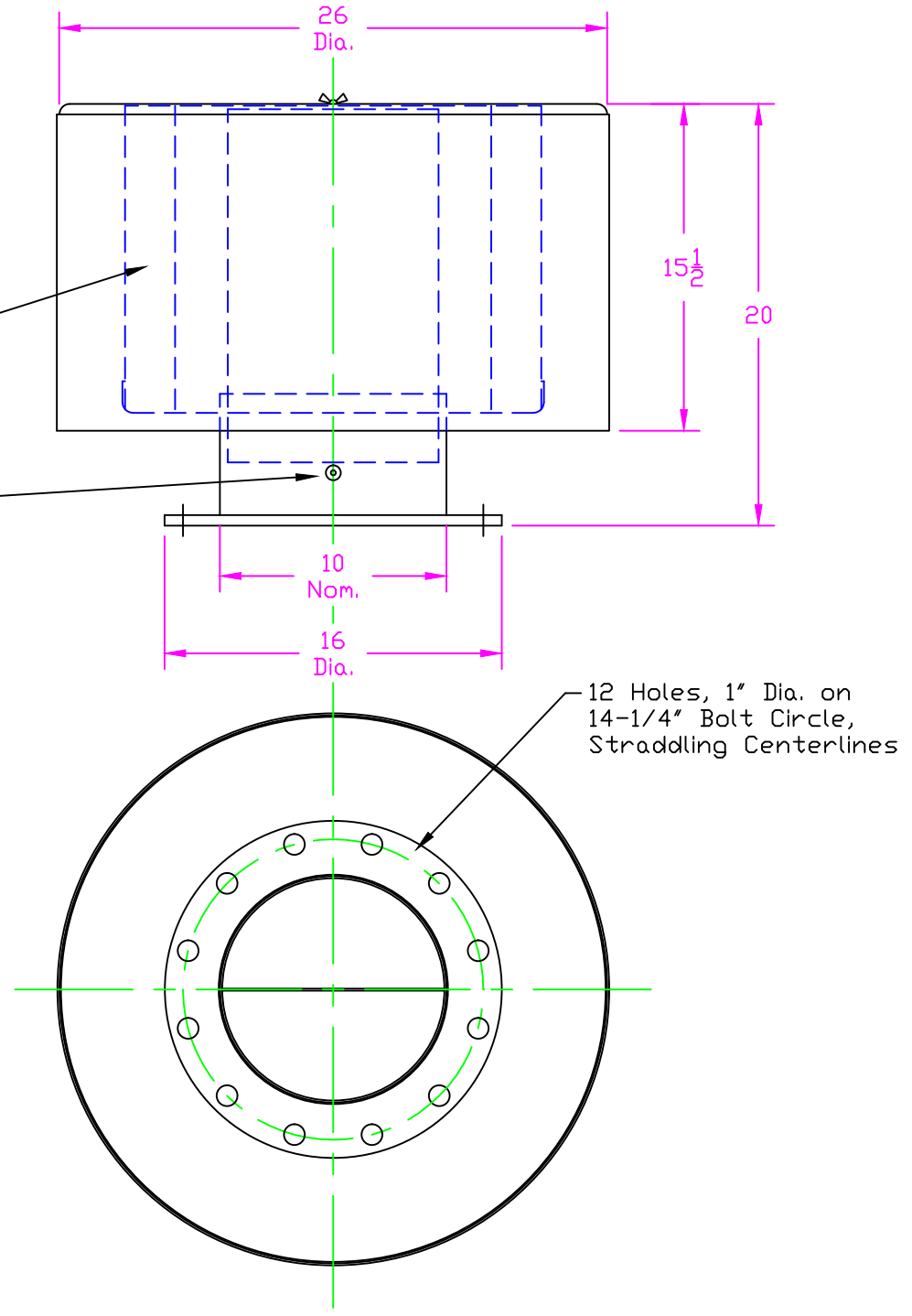
name
 F72-10 INTAKE FILTER

A no. 46310
 date 8/5/03 by JG
 appd.

no.	
revision	
date	
by	
no.	2
date	12/6/11
by	DSP
no.	1
date	1/18/06
by	JG

F8-123 Replacement
 Filter Element

1/4" IPS Tap



EXTERNAL DIMENSIONS CERTIFIED FOR:

CUST. P.O. No.	S.S. NO. BY	approx. wt. 87 lbs.
		material Carbon Steel
		finish Blue Powder Coat

A

no. 46310

rev. R2