

Stoddard Silencers, Inc.
 1017 Progress Dr.
 Grayslake, Illinois 60030
 Phone (847) 223-8636

name

F8-137 Paper
 FILTER ELEMENT

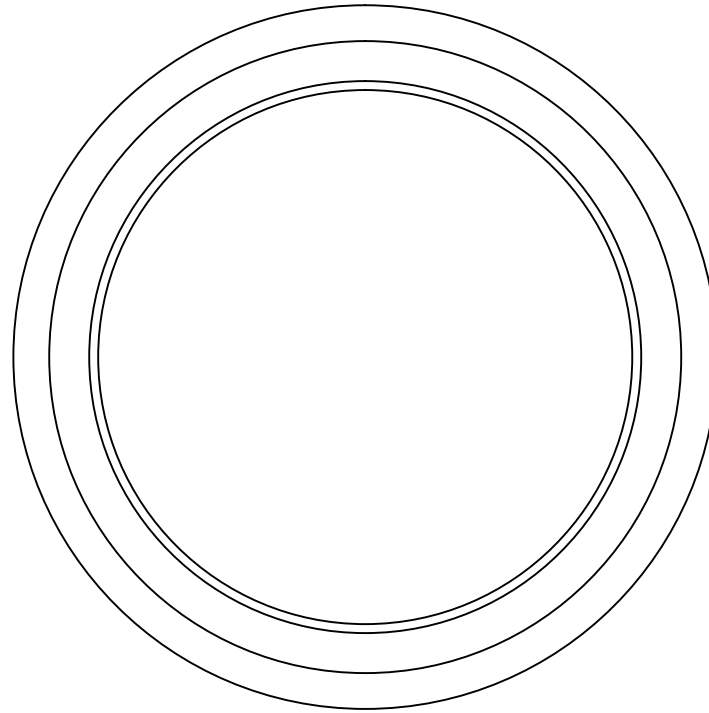
A

no. F8-137

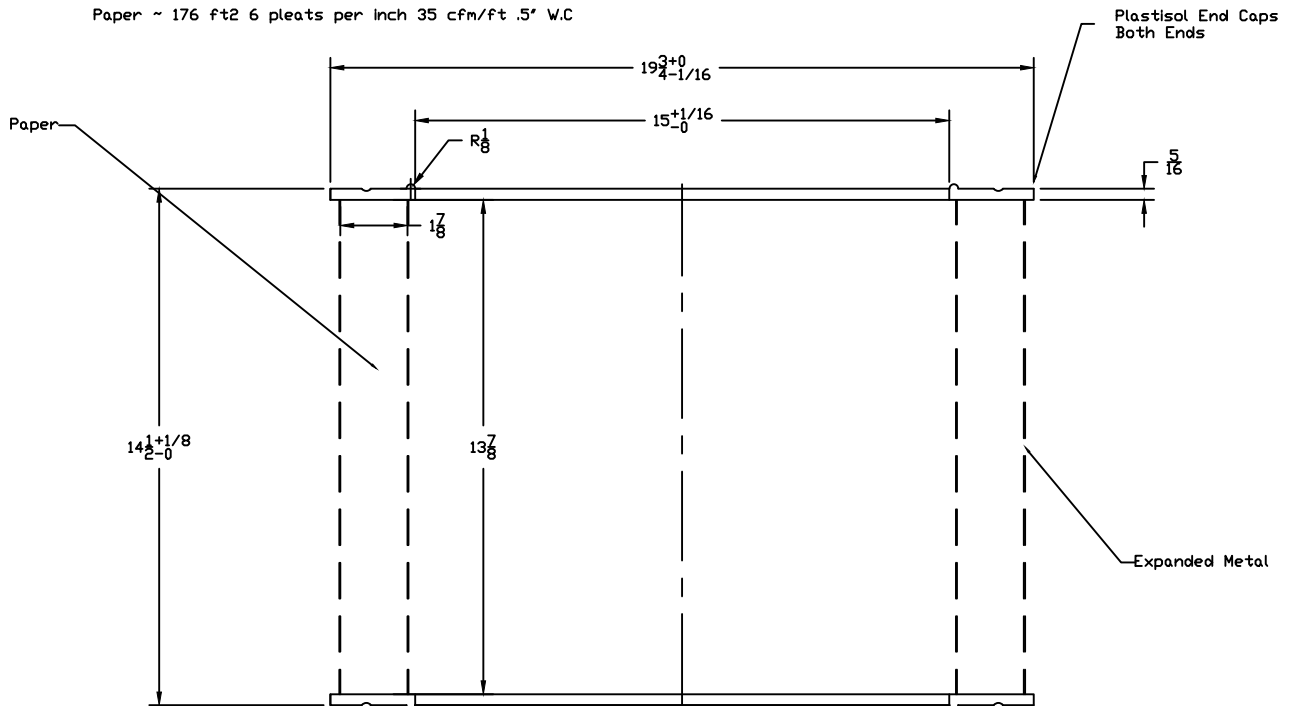
date 12/21/88

by LAL

appd.



Paper ~ 176 ft² 6 pleats per inch 35 cfm/ft .5" W.C



Section "A-A"

22 x 24 Flattened Expanded Metal, Electro-Galvanized, .25 x .516 opening .040 Strand Width, 77 % open

EXTERNAL DIMENSIONS CERTIFIED FOR:

CUST.
 P.O. No.

S.S. NO.
 BY

approx. wt. 12 lbs.

material

finish

no.	
revision	
date	
by	
no.	1
	Revised to CAD drawing
date	5/13/11
by	LAL
	A
no.	F8-137
	- 1
rev.	