

R/RD Series

Flush Type Neoprene Mountings

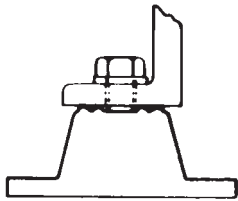
Features/Benefits

- Static Load Ranges from 10–4,000 lbs.
- Deflections to ¼" with Type R, to ½" with Type RD
- Available in 4 sizes
- Corrosion resistant
- Molded in colored oil-resistant neoprene
- 5 colors for error free identification
- Non-skid ribbed neoprene on base plate

Applications

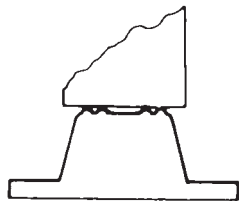
- Air Handling Units
- Business Machines
- Compressors, Pumps and Fans
- Instrument Panels
- Machine tools
- Motor Generators
- Transformers

Mounting Configurations



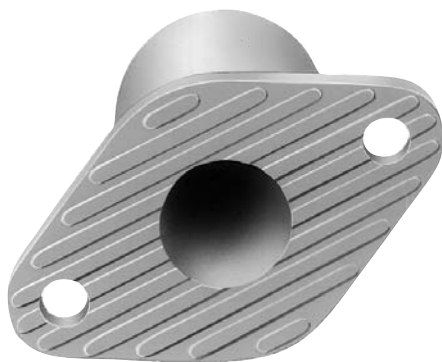
**Type R or RD
IF BOLTING IS PREFERRED**

Type R or RD mountings are furnished with a tapped hole in the center. This enables the equipment to be bolted securely to the mounting.



**Type R or RD
NO BOLTING REQUIRED**

Type R or RD mountings may be used without bolting under machines having no lateral or severe vertical motion.



Non-Skid Base

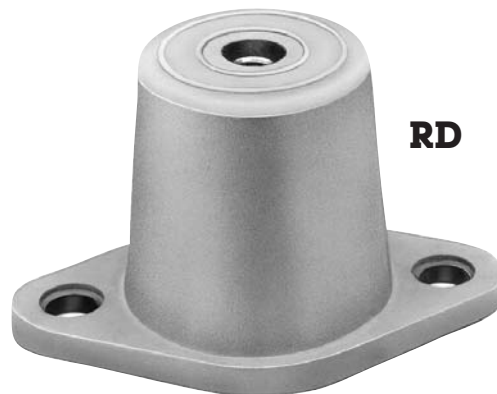
The R/RD Series base plates are covered in non-skid ribbed neoprene



R



R4

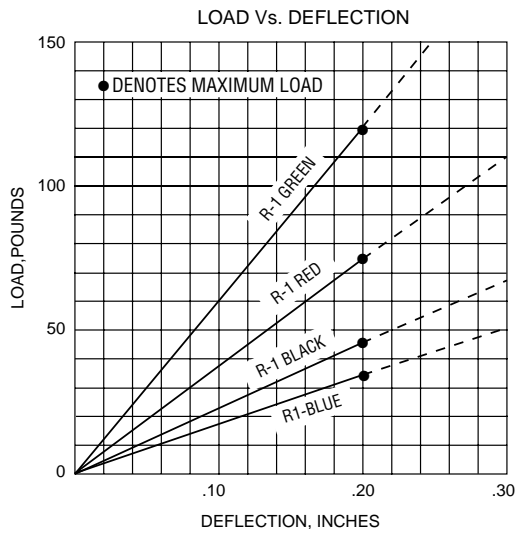
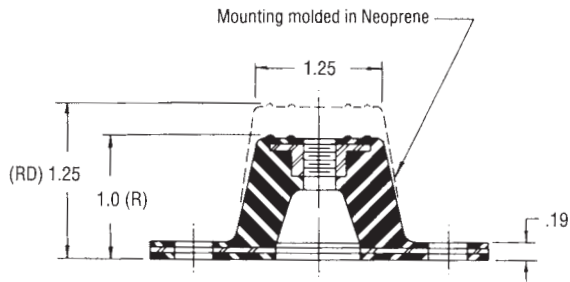
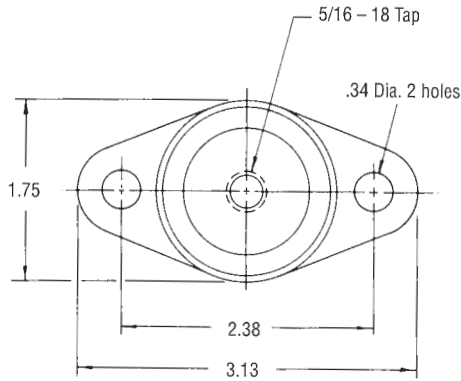


RD

**NOTE: Mounts are not inherently fail safe.
For stationary, vertical loading only.**

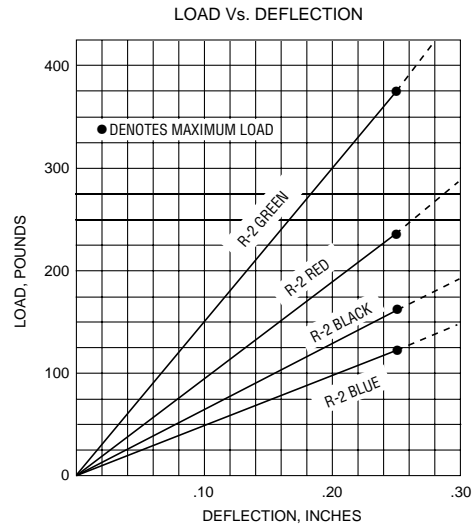
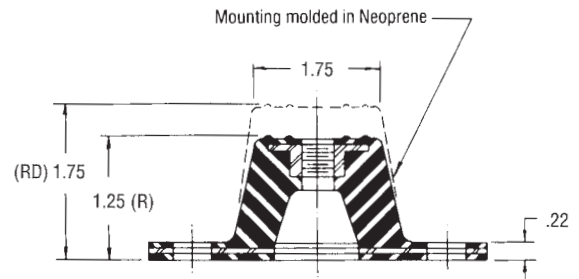
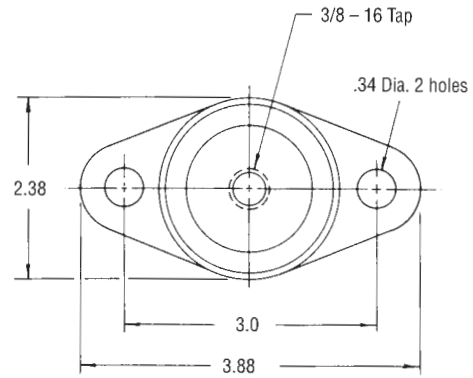
R1/RD1 Series

Type	Color Code	Max.Load, lbs.	Deflection, in.	
			R	RD
R1/RD1	Blue	35	0.20	0.40
	Black	45		
	Red	70		
	Green	120		



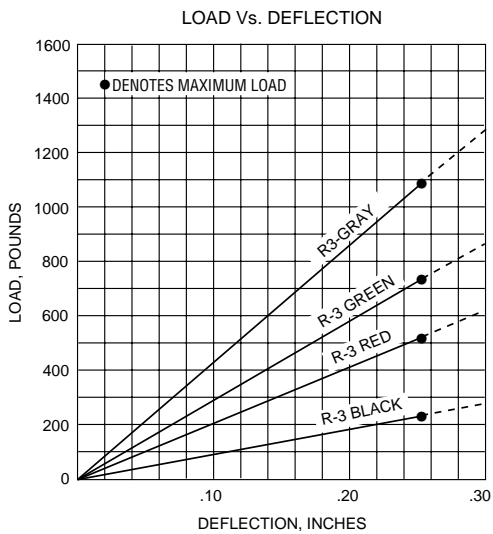
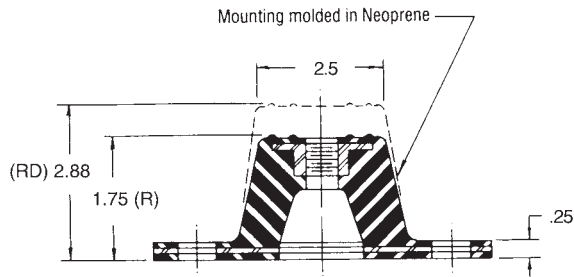
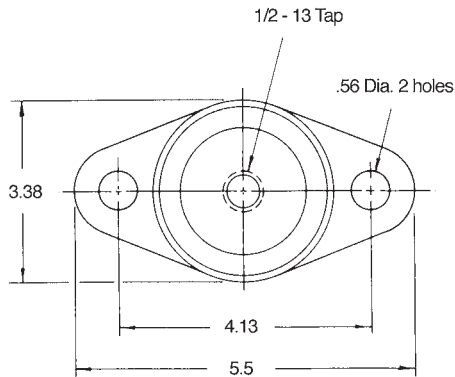
R2/RD2 Series

Type	Color Code	Max.Load, lbs.	Deflection, in.	
			R	RD
R2/RD2	Blue	135	0.25	0.50
	Black	170		
	Red	240		
	Green	380		
	Grey	550		



R3/RD3 Series

Type	Color Code	Max.Load, lbs.	Deflection, in.	
			R	RD
R3/RD3	Black	250	0.25	0.50
	Red	525		
	Green	750		
	Gray	1100		



R4/RD4 Series

Type	Color Code	Max.Load, lbs.	Deflection, in.	
			R	RD
R4/RD4	Black	1500	0.25	0.50
	Red	2250		
	Green	3000		
	Gray	4000		

