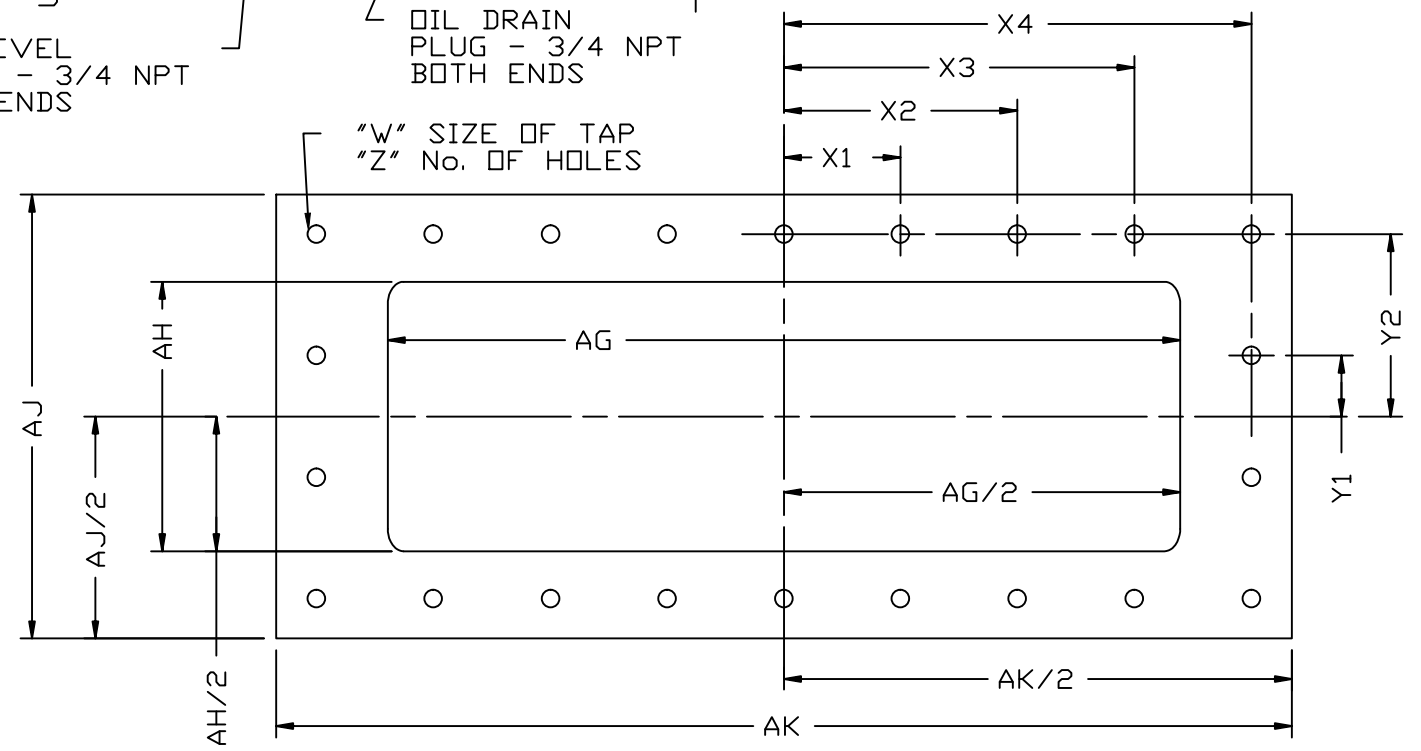
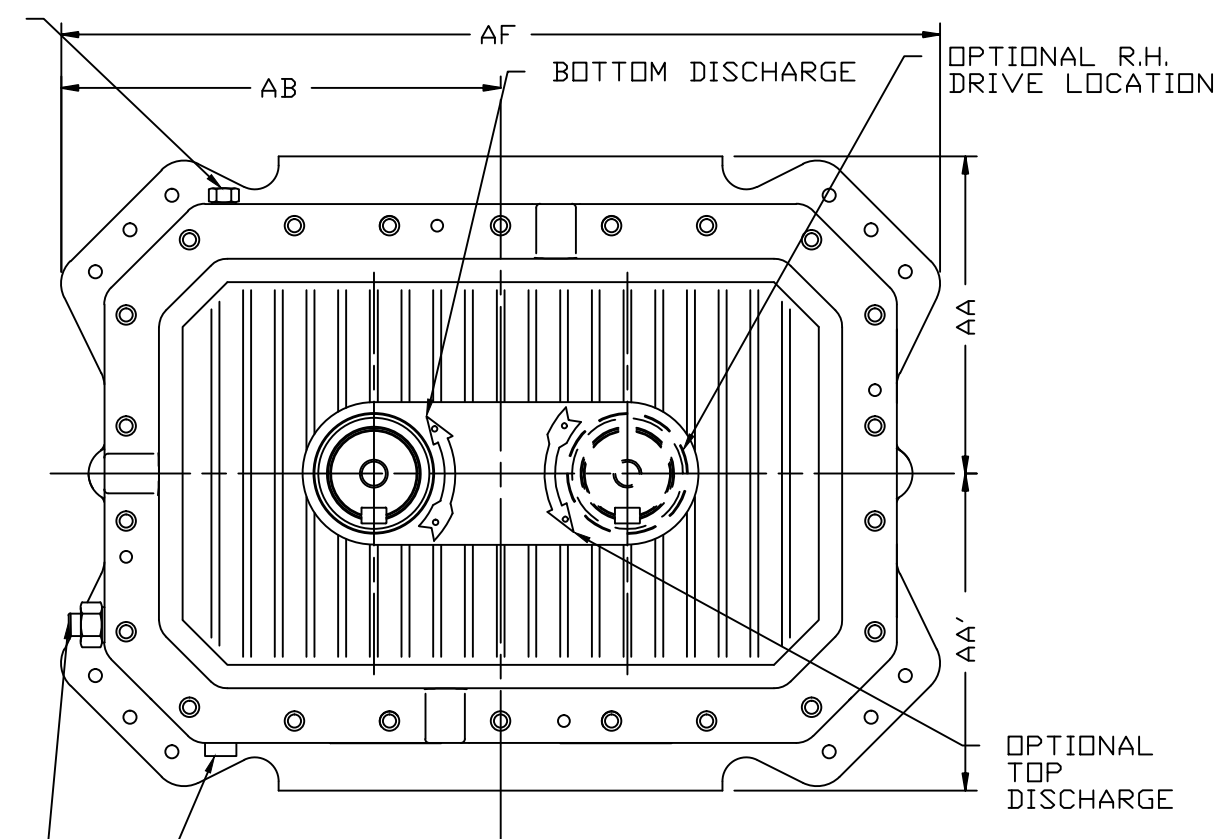


VIEW OF DISCHARGE



INLET & DISCHARGE FLANGES TO MATE FLUSH & SQUARE WITH FLAT FACE FLANGE ONLY. USE FULL FACE GASKETS.

V-BELT DRIVEN UNITS: MOTOR TO BE LOCATED ON INLET SIDE OF HORIZONTAL FLOW UNITS & ON DRIVE SHAFT SIDE OF VERTICAL FLOW UNITS.

AD - MAXIMUM SHEAVE WIDTH (SEE OVERHUNG LOAD LIMIT K-24102)

AE - MINIMUM SHEAVE DIAMETER (SEE OVERHUNG LOAD LIMIT K-24102)

ALL DIMENSIONS IN INCHES UNLESS OTHERWISE SPECIFIED METRIC DIMENSIONAL #90776021

		DRIVE LOCATION	
		LH	RH
DISCH. LOCATION	TOP	CW	CCW
	BOTTOM	CCW	CW

UNIT IS BUILT TO CUSTOMERS SPECIFIED ORIENTATION

MODEL	C	M	N	U MM	V MM	KEYWAY MM	INLET AA	DISCH AA'	AB	AD	AE	AF	AG	AH	AJ	AK	APPROX WEIGHT
826	46.98	18.70	4.94	70.0	102.0	20.0X8.0	10.00	10.00	13.86	7.19	13.20	27.72	20.00	7.50	14.00	26.00	2000 LBS
832	52.98	21.71	"	"	"	20.0X8.0	"	"	"	"	"	25.00	"	"	"	32.00	2500 LBS

MODEL	X1	X2	X3	X4	Y1	Y2	W	Z
826	3.91	7.82	-	11.75	1.92	5.75	M16x2	18
832	3.68	7.36	11.06	14.75	1.92	5.75	M16x2	22

CERTIFIED CORRECT FOR CUSTOMER ORDER No. \_\_\_\_\_

ROOTS ORDER No. \_\_\_\_\_

DATE \_\_\_\_\_

				V-BELT DRIVE DATA			
△C	UPDATE TO HOWDEN, TRI-TAM BRAND	MPM	16849V	MNM	BELTS		
△B	"AH" WAS 8.50	JJ	13157V		DRIVE SHEAVE		
△A	CONVERSION				DRIVEN SHEAVE		
	REVISIONS	BY	CHANGE NOTICE	CHKD.	APP.	CENTER DISTANCE	

TRI-RAM<sup>TM</sup>  
TRI-LOBE BLOWERS MODELS 826 & 832

Connersville, IN USA  
P: 765-827-9200  
F: 765-827-9266



DR	CHKD	APP	90775021	REV. C
----	------	-----	----------	--------