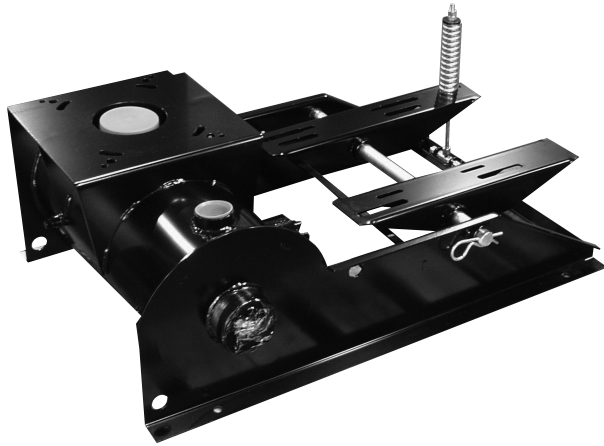


EasyAir X2 Blower Package

ROOTS™ EasyAir® X2 Blower Package



For further information contact

Howden Roots
900 W. Mount St.
Connersville
Indiana
USA
47331
Tel: +1 765 827 9200
Web: www.howden.com

Roots™ EasyAir® X2 blower package combination base and discharge, non-packed, chamber silencer.

Applications

Discharge air silencer and combination base for ROOTS™ rotary lobe blowers.

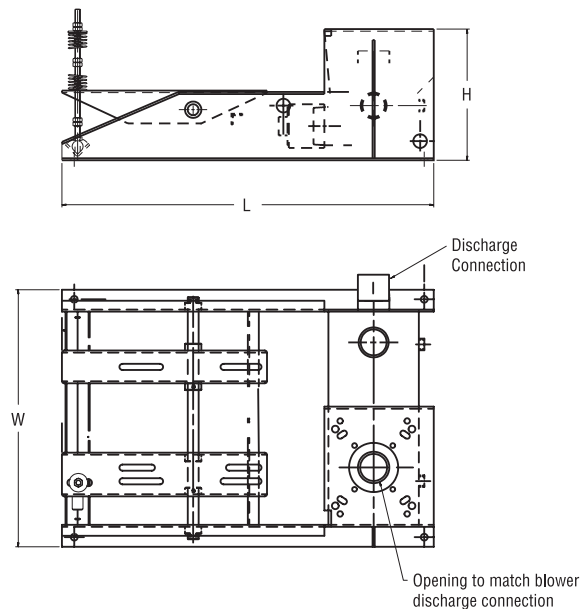
Design

A Roots designed multi-chamber discharge silencer. The design contains multi-chambers to change the air passage throughout the silencer to dissipate pulsations and reduce noise. Design also includes integral mounting plate for ROOTS™ blowers with ROOTS™ patent pending, spring loaded automatic v-belt tension system.

Construction

All welded carbon steel construction. The discharge silencers have a tap for the discharge pressure gauge and discharge temperature gauge. Additional taps are supplied for mounting the discharge pressure relief valve and an optional mechanical unloading valve. The silencer base is painted with a medium gloss black paint.

Outline drawing and dimensional table



Patent pending, spring loaded automatic v-belt tension system.

Size	Dimensions (Inches)	Approx. Weight (Lbs)	Discharge Connection
50	33.7 L x 23.4 W x 10.8 H	101	2.0" SCH 40 Pipe Stub
65	39 L x 23.4 W x 11 H	113	2.5" SCH 40 Pipe Stub
100	45.1 L x 29.5 W x 15.5 H	255	4.0" SCH 40 Pipe Stub
150	55 L x 35.4 W x 23 H	615	6.0" SCH 40 Pipe Stub
200	62.9 L x 43.3 W x 28.2 H	780	8.0" SCH 40 Pipe Stub
250	70.8 L x 40.4 W x 29.1H	930	10" SCH 40 Pipe Stub