

INLET AND DISCHARGE FLANGES TO MATE FLUSH AND SQUARE WITH FLAT FACE FLANGES ONLY. USE FULL FACE GASKETS

FOR V-BELT DRIVEN UNITS MOTOR TO BE LOCATED ON INLET SIDE OF BLOWER

RCS-V BLOWER

	6"FLG	8"FLG	10"FLG
OPENING	6.00	8.00	10.00
BOLT CIRCLE	9.50	11.75	14.25
FLANGE O. D.	11.00	13.50	16.00
No TAPPED HOLES	8	8	12
SIZE HOLES	3/4-10	3/4-10	7/8-9
TAP DEPTH	1.13	1.13	1.31

W - INLET  
 WI - DISCHARGE  
 AD - SHEAVE WIDTH  
 AE - SHEAVE DIAMETER  
 ALL DIMENSIONS IN INCHES

FRAME SIZE	A	B	C	D	E	F	G	H	J	K	M	N	O	P	R	U	V	KEYWAY	W	WI	AA	AD	AE	OIL CAPACITY	APPROX WEIGHT
404	7.50	8.88	18.38	11.25	2.50	3.75	.50	.44	2.00	2.44	5.75	3.69	16.50	12.00	9.00	1.50	2.75	.375x.188	3"NPT	3"NPT	6.00	3.53	6.50	32.5 FL. OZ.	230
406	"	10.88	20.38	"	"	4.75	"	"	"	"	6.75	"	"	"	"	"	"	"	4"NPT	4"NPT	"	"	"	"	260
409	"	13.88	23.38	"	"	6.25	"	"	"	"	8.25	"	"	11.00	"	"	"	"	4"NPT	4"NPT	5.50	"	"	"	300
412	"	16.88	26.38	"	"	7.75	"	"	"	"	9.75	"	"	"	"	"	"	"	6"FLG	6"FLG	"	"	"	"	360
418	"	22.88	32.38	"	"	10.75	"	"	"	"	12.75	"	"	"	"	"	"	"	8"FLG	8"FLG	"	"	"	"	440
616	10.00	21.44	32.44	15.00	3.50	9.75	.63	.56	2.50	2.75	12.19	4.56	22.00	14.50	12.00	2.00	3.63	.500x.250	8"FLG	8"FLG	7.25	4.44	8.50	70 FL. OZ.	660
624	"	29.44	40.44	"	"	13.75	"	"	"	"	16.19	"	"	"	"	"	"	"	10"FLG	10"FLG	"	"	"	"	775

CERTIFIED CORRECT FOR CUSTOMER ORDER No. \_\_\_\_\_  
 ROOTS ORDER No. \_\_\_\_\_  
 DATE \_\_\_\_\_

V-BELT DRIVE DATA	
BELTS	_____
DRIVE SHEAVE	_____
DRIVEN SHEAVE	_____
CENTER DISTANCE	_____

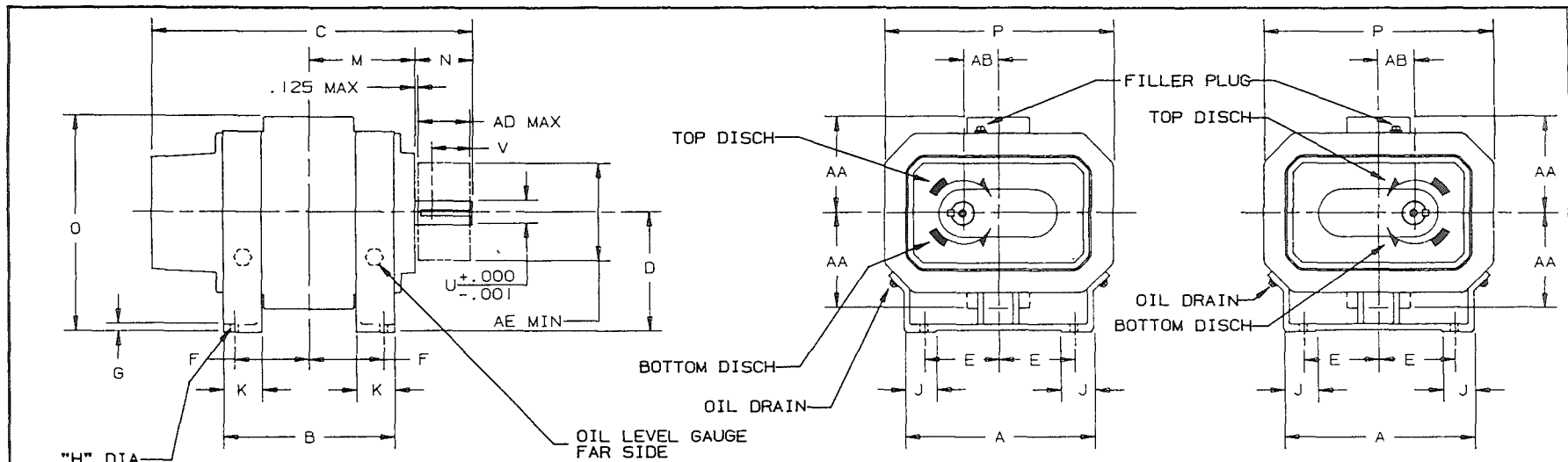


DRESSER INDUSTRIES, INC.  
 ROOTS DIVISION  
 900 WEST MOUNT STREET  
 CONNERSVILLE, INDIANA 47331

861-893-021

REM 10/27/82

Figure 8 — Vertical Unit



"H" DIA  
4 MOUNTING HOLES

INLET AND DISCHARGE FLANGES TO MATE  
FLUSH AND SQUARE WITH FLAT FACE  
FLANGES ONLY. USE FULL FACE GASKETS

FOR V-BELT DRIVEN UNITS  
MOTOR TO BE LOCATED ON  
DRIVE SHAFT SIDE OF BLOWER

### RCS-H BLOWER

FURNISHED UNLESS OTHERWISE SPECIFIED

FURNISHED ONLY WHEN SPECIFIED

	6"FLG	8"FLG	10"FLG
OPENING	6.00	8.00	10.00
BOLT CIRCLE	9.50	11.75	14.25
FLANGE O. D.	11.00	13.50	16.00
No TAPPED HOLES	8	8	12
SIZE HOLES	3/4-10	3/4-10	7/8-9
TAP DEPTH	1.13	1.13	1.31

- W - INLET
- WI - DISCHARGE
- AD - SHEAVE WIDTH
- AE - SHEAVE DIAMETER
- ALL DIMENSIONS IN INCHES

FRAME SIZE	A	B	C	D	E	F	G	H	J	K	M	N	O	P	U	V	KEYWAY	W	WI	AA	AB	AD	AE	OIL CAPACITY	APPROX WEIGHT
404	12.00	8.88	18.38	7.50	4.75	3.75	.50	.44	2.00	2.44	5.75	3.69	13.50	15.00	1.50	2.75	.375x.188	3"NPT	3"NPT	6.00	2.25	3.53	6.90	56 FL. OZ.	240
406	"	10.88	20.38	"	"	4.75	"	"	"	"	6.75	"	"	"	"	"	"	4"NPT	4"NPT	"	"	"	"	"	270
409	"	13.88	23.38	"	"	6.25	"	"	"	"	8.25	"	13.00	"	"	"	"	4"NPT	4"NPT	5.50	"	"	"	"	310
412	"	16.88	26.38	"	"	7.75	"	"	"	"	9.75	"	"	"	"	"	"	6"FLG	6"FLG	"	"	"	"	"	370
418	"	22.88	32.38	"	"	10.75	"	"	"	"	12.75	"	"	"	"	"	"	8"FLG	8"FLG	"	"	"	"	"	450
616	16.00	21.44	32.44	9.00	6.50	9.75	.63	.56	2.50	2.75	12.19	4.56	16.25	20.00	2.00	3.63	.500x.250	8"FLG	8"FLG	7.25	3.00	4.44	8.50	118 FL. OZ.	675
624	"	29.44	40.44	"	"	13.75	"	"	"	"	16.19	"	"	"	"	"	"	10"FLG	10"FLG	"	"	"	"	"	800

CERTIFIED CORRECT FOR CUSTOMER ORDER No. \_\_\_\_\_

ROOTS ORDER No. \_\_\_\_\_

DATE \_\_\_\_\_

V-BELT DRIVE DATA

BELTS \_\_\_\_\_

DRIVE SHEAVE \_\_\_\_\_

DRIVEN SHEAVE \_\_\_\_\_

CENTER DISTANCE \_\_\_\_\_



DRESSER INDUSTRIES, INC.  
ROOTS DIVISION  
900 WEST MOUNT STREET  
CONNERSVILLE, INDIANA 47331

861-891-021

Figure 9 — Horizontal Unit