

INLET OR DISCHARGE

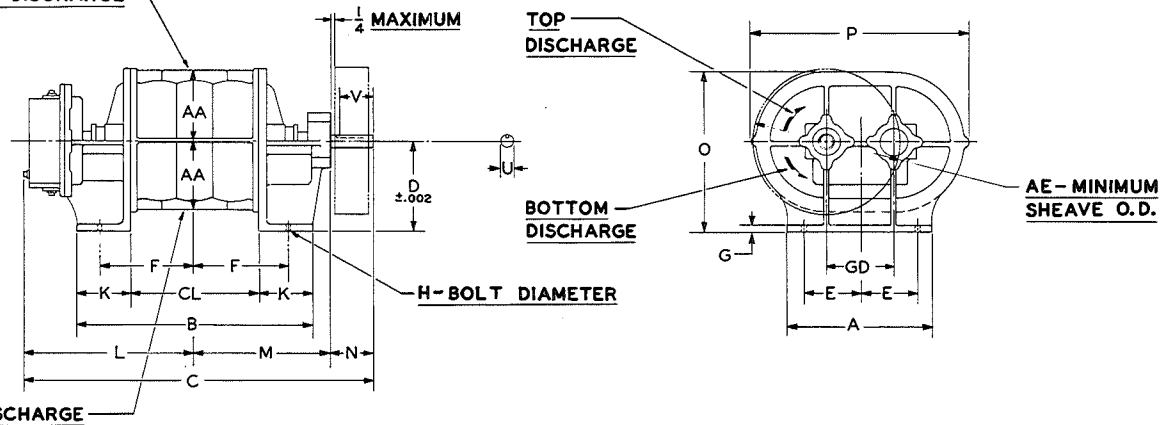


PHOTO ARE LOANED SUBJECT TO RETURN UPON DEMAND, AND WITH THE EXPRESS CONDITION THAT THEY SHALL NOT BE USED IN ANY WAY DETRIMENTAL TO THE REPUTATION OF DRESSER INDUSTRIES, INC.

TYPE "X" GAS PUMP

- ALL DIMENSIONS IN INCHES -

⊙ TOLERANCE THROUGH 1.5000 DIAM. ±.0000 - .0005

SIZE		DRAWN BY <i>JLW</i> DATE 1-7-73 CHK'D BY <i>Zmcc</i> ECN 2362V														INLET AND DISCHARGE		AA AE		APPROX. OIL CAP.	APPROX. NET WT.				
No	GD	CL	A	B	C	D	E	F	G	H	K	L	M	N	O	P	U	V	KEYWAY						
22	2 1/2	2	5 1/2	8	13 11/16	3 3/4	2	2 3/4	3/8	5/16	3	6 1/2	5 1/16	2 1/8	6 7/8	9 1/4	.5875	1 3/8	3/16 x 3/32	1 - 11 1/2	N.P.T.	3 1/8	4	4FLOZ	40
24	2 1/2	4	5 1/2	10	15 11/16	3 3/4	2	3 3/4	3/8	5/16	3	7 1/2	6 1/16	2 1/8	6 7/8	9 1/4	.5875	1 3/8	3/16 x 3/32	1 1/2 - 11 1/2	N.P.T.	3 1/8	4	4FLOZ	50
315	3 1/2	1 1/2	7 1/4	8 1/2	15 7/16	5	2 7/8	2 3/4	1/2	3/8	3 1/2	7 3/8	5	3 1/16	8 7/8	12 1/8	.6562	2 3/16	3/16 x 3/32	3/4 - 14	N.P.T.	3 7/8	5	6FLOZ	75
33	3 1/2	3 5/8	7 1/4	10 5/8	17 9/16	5	2 7/8	3 13/16	1/2	3/8	3 1/2	8 7/16	6 1/16	3 1/16	8 7/8	12 1/8	.6562	2 3/16	3/16 x 3/32	2 - 11 1/2	N.P.T.	3 7/8	5	6FLOZ	
36	3 1/2	6	7 1/4	13	19 15/16	5	2 7/8	5	1/2	3/8	3 1/2	9 5/8	7 1/4	3 1/16	8 7/8	12 1/8	.6562	2 3/16	3/16 x 3/32	2 1/2 - 8	N.P.T.	3 7/8	5	6FLOZ	105
42	4	2 3/4	8 1/4	9 3/4	17 5/16	6 1/4	3 1/8	3 3/8	9/16	3/8	3 1/2	8 3/16	5 5/8	3 1/2	10 5/8	13 5/8	.7812	2 5/8	3/16 x 3/32	1 1/2 - 11 1/2	N.P.T.	4 3/8	5	10FLOZ	115
44	4	4	8 1/4	11	18 9/16	6 1/4	3 1/8	4	9/16	3/8	3 1/2	8 13/16	6 1/4	3 1/2	10 5/8	13 5/8	.7812	2 5/8	3/16 x 3/32	2 - 11 1/2	N.P.T.	4 3/8	5	10FLOZ	120
47	4	7 1/4	8 1/4	14 1/4	21 13/16	6 1/4	3 1/8	5 5/8	9/16	3/8	3 1/2	10 7/16	7 7/8	3 1/2	10 5/8	13 5/8	.7812	2 5/8	3/16 x 3/32	2 1/2 - 8	N.P.T.	4 1/4	5	10FLOZ	150
53	5	3 7/8	10 3/4	11 7/8	20 11/16	6 3/4	4 1/4	4 3/16	9/16	3/8	4	9 11/16	6 15/16	4 1/16	12	17 1/4	.9687	3 1/8	1/4 x 1/8	2 1/2 - 8	N.P.T.	5 1/8	6	15FLOZ	175
55	5	5	10 3/4	13	21 13/16	6 3/4	4 1/4	4 3/4	9/16	3/8	4	10 1/4	7 1/2	4 1/16	12	17 1/4	.9687	3 1/8	1/4 x 1/8	2 1/2 - 8	N.P.T.	5 1/8	6	15FLOZ	190
59	5	9 1/2	10 3/4	17 1/2	26 5/16	6 3/4	4 1/4	7	9/16	3/8	4	12 1/2	9 3/4	4 1/16	12	17 1/4	.9687	3 1/8	1/4 x 1/8	3 - 8	N.P.T.	5 1/8	6	15FLOZ	
65	6	5	12 1/2	15	28 3/8	8 1/2	4 1/2	5 1/4	9/16	5/8	5	13 7/16	9 9/16	5 3/8	16 1/4	19 3/4	1.250	4	1/4 x 1/8	3 - 8	N.P.T.	7 3/4	8 1/2	26FLOZ	350
67	6	7 1/2	12 1/2	17 1/2	30 7/8	8 1/2	4 1/2	6 1/2	9/16	5/8	5	14 11/16	10 13/16	5 3/8	16 1/4	19 3/4	1.250	4	1/4 x 1/8	3 - 8	N.P.T.	7 3/4	8 1/2	26FLOZ	400
610	6	10	12 1/2	20	33 3/8	8 1/2	4 1/2	7 3/4	9/16	5/8	5	15 15/16	12 1/16	5 3/8	16 1/4	19 3/4	1.250	4	1/4 x 1/8	3 - 8	N.P.T.	7 3/4	8 1/2	26FLOZ	430
615	6	15	12 1/2	25	38 3/8	8 1/2	4 1/2	10 1/4	9/16	5/8	5	18 7/16	14 9/16	5 3/8	16 1/2	19 3/4	1.250	4	1/4 x 1/8	4 - 8	N.P.T.	8	8 1/2	26FLOZ	490
76	7	6	14 1/4	16 1/2	30 1/4	10 1/4	5 1/4	6	9/16	5/8	5 1/4	14 1/4	10 1/2	5 1/2	19 1/2	23 1/4	1.500	3 7/8	3/8 x 3/16	3 - 8	N.P.T.	9 1/4	8 1/2	38FLOZ	510
710	7	10	14 1/4	20 1/2	34 1/4	10 1/4	5 1/4	8	9/16	5/8	5 1/4	16 1/4	12 1/2	5 1/2	19 1/2	23 1/4	1.500	3 7/8	3/8 x 3/16	4 - 8	N.P.T.	9 1/4	8 1/2	38FLOZ	590
717	7	17	14 1/4	27 1/2	41 1/4	10 1/4	5 1/4	11 1/2	9/16	5/8	5 1/4	19 3/4	16	5 1/2	19 1/2	23 1/4	1.500	3 7/8	3/8 x 3/16	5 - 8	N.P.T.	9 1/4	8 1/2	38FLOZ	720

APPROVED FOR CONSTRUCTION

V-BELT DRIVE SPECIFICATIONS

CUSTOMER _____
 CUSTOMER'S ORDER NO _____ ROOTS NO _____
 DATE _____ BY _____

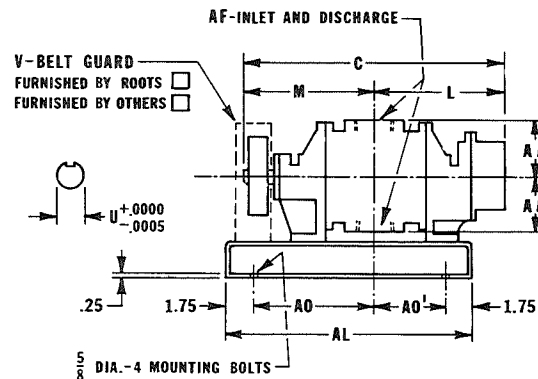
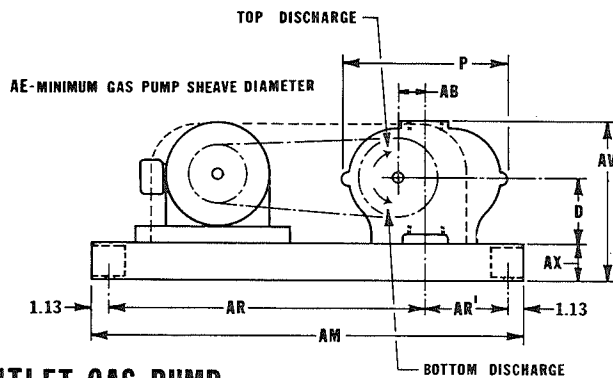
BELTS
 P.D.-DRIVE SHEAVE
 P.D.-DRIVEN SHEAVE
 CENTER DISTANCE



INDUSTRIAL PRODUCTS DIVISION
 DRESSER INDUSTRIES, INC.
 CONNERSVILLE, INDIANA 47331

852-277-023

MOTOR DATA	
HP	
RPM	
PHASE	
HZ	
VOLTAGE	
FRAME	
MANUFACTURER	
V-BELT DRIVE DATA	
BELTS	
DRIVE SHEAVE	
DRIVEN SHEAVE	
CENTER DISTANCE	



"XA" TOP OR BOTTOM OUTLET GAS PUMP

ALL DIMENSIONS IN INCHES

SIZE	MOTOR FRAME	C	D	L	M	P	U	KEYWAY	AA	AB	AE	AF	AL	AM	AO	AO'	AR	AR'	AV	AX
22	56	13.69	3.75	6.50	7.19	9.25	.5875	.188x.094	3.13	1.25	4.00	1 NPT	17.00	24.00	9.25	4.25	18.00	3.75	9.63	2.75
"	143T - 145T	"	"	"	"	"	"	"	"	"	"	"	"	"	"	"	"	"	"	"
24	56	15.69	3.75	7.50	8.19	9.25	.5875	.188x.094	3.13	1.25	4.00	1.5 NPT	17.00	24.00	9.25	4.25	18.00	3.75	9.63	2.75
"	143T - 145T	"	"	"	"	"	"	"	"	"	"	"	"	"	"	"	"	"	"	"
315	56	15.44	5.00	7.38	8.06	12.13	.6562	.188x.094	3.88	1.75	5.00	.75 NPT	26.00	38.25	14.25	8.25	27.37	8.62	11.63	2.75
"	143T - 145T	"	"	"	"	"	"	"	"	"	"	"	"	"	"	"	"	"	"	"
"	182T	"	"	"	"	"	"	"	"	"	"	"	"	"	"	"	"	"	"	"
33	56	17.56	5.00	8.43	9.13	12.13	.6562	.188x.094	3.88	1.75	5.00	2 NPT	26.00	38.25	14.25	8.25	27.37	8.62	11.63	2.75
"	143T - 145T	"	"	"	"	"	"	"	"	"	"	"	"	"	"	"	"	"	"	"
"	182T - 184T	"	"	"	"	"	"	"	"	"	"	"	"	"	"	"	"	"	"	"
36	56	19.94	5.00	9.63	10.31	12.13	.6562	.188x.094	3.88	1.75	5.00	2.5 NPT	26.00	38.25	14.25	8.25	27.37	8.62	11.63	2.75
"	143T - 145T	"	"	"	"	"	"	"	"	"	"	"	"	"	"	"	"	"	"	"
"	182T - 184T	"	"	"	"	"	"	"	"	"	"	"	"	"	"	"	"	"	"	"
42	56	17.31	6.25	8.18	9.13	13.63	.7812	.188x.094	4.38	2.00	5.00	1.5 NPT	26.00	38.25	14.25	8.25	27.37	8.62	13.38	2.75
"	143T - 145T	"	"	"	"	"	"	"	"	"	"	"	"	"	"	"	"	"	"	"
"	182T - 184T	"	"	"	"	"	"	"	"	"	"	"	"	"	"	"	"	"	"	"
44	56	18.56	6.25	8.81	9.75	13.63	.7812	.188x.094	4.38	2.00	5.00	2 NPT	26.00	38.25	14.25	8.25	27.37	8.62	13.38	2.75
"	143T - 145T	"	"	"	"	"	"	"	"	"	"	"	"	"	"	"	"	"	"	"
"	182T - 184T	"	"	"	"	"	"	"	"	"	"	"	"	"	"	"	"	"	"	"
47	56	21.81	6.25	10.43	11.38	13.63	.7812	.188x.094	4.25	2.00	5.00	2.5 NPT	26.00	38.25	14.25	8.25	27.37	8.62	13.38	2.75
"	143T - 145T	"	"	"	"	"	"	"	"	"	"	"	"	"	"	"	"	"	"	"
"	182T - 184T	"	"	"	"	"	"	"	"	"	"	"	"	"	"	"	"	"	"	"
53	56	20.69	6.75	9.69	11.00	17.25	.9687	.250x.125	5.13	2.50	6.00	2.5 NPT	26.00	38.25	15.25	7.25	27.37	8.62	14.75	2.75
"	143T - 145T	"	"	"	"	"	"	"	"	"	"	"	"	"	"	"	"	"	"	"
"	182T - 184T	"	"	"	"	"	"	"	"	"	"	"	"	"	"	"	"	"	"	"
"	213T - 215T	"	"	"	"	"	"	"	"	"	"	"	"	"	"	"	"	"	"	"
55	56	21.81	6.75	10.25	11.56	17.25	.9687	.250x.125	5.13	2.50	6.00	2.5 NPT	26.00	38.25	15.25	7.25	27.37	8.62	14.75	2.75
"	143T - 145T	"	"	"	"	"	"	"	"	"	"	"	"	"	"	"	"	"	"	"
"	182T - 184T	"	"	"	"	"	"	"	"	"	"	"	"	"	"	"	"	"	"	"
"	213T	"	"	"	"	"	"	"	"	"	"	"	"	"	"	"	"	"	"	"
59	56	26.31	6.75	12.50	13.81	17.25	.9687	.250x.125	5.13	2.50	6.00	3 NPT	26.00	38.25	15.00	7.50	27.37	8.62	14.75	2.75
"	143T - 145T	"	"	"	"	"	"	"	"	"	"	"	"	"	"	"	"	"	"	"
"	182T - 184T	"	"	"	"	"	"	"	"	"	"	"	"	"	"	"	"	"	"	"
"	213T - 215T	"	"	"	"	"	"	"	"	"	"	"	"	"	"	"	"	"	"	"

CERTIFIED CORRECT FOR

CUSTOMER ORDER NO _____
 ROOTS ORDER NO _____
 DATE _____

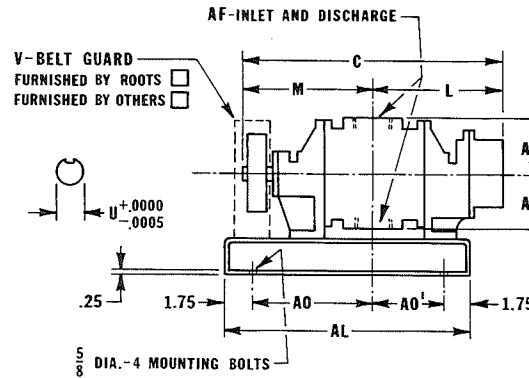
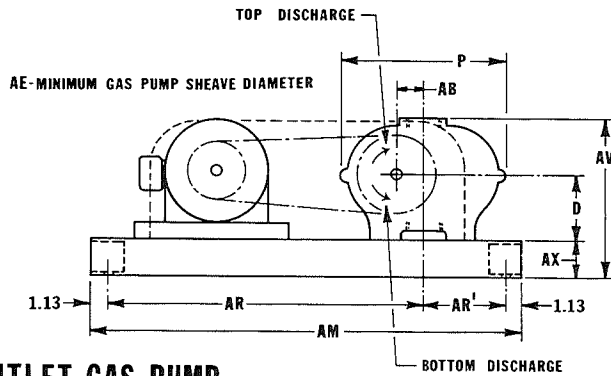


INDUSTRIAL PRODUCTS DIVISION
 DRESSER INDUSTRIES, INC
 CONNERSVILLE, INDIANA 47331

8-25-72

851-752-021

MOTOR DATA	
HP	
RPM	
PHASE	
HZ	
VOLTAGE	
FRAME	
MANUFACTURER	
V-BELT DRIVE DATA	
BELTS	
DRIVE SHEAVE	
DRIVEN SHEAVE	
CENTER DISTANCE	



"XA" TOP OR BOTTOM OUTLET GAS PUMP

ALL DIMENSIONS IN INCHES

SIZE	MOTOR FRAME	C	D	L	M	P	U	KEYWAY	AA	AB	AE	AF	AL	AM	AO	AO'	AR	AR'	AV	AX
65	182T - 184T	28.38	8.50	13.44	14.94	19.75	1.2500	.250x.125	7.75	3.00	8.50	3 NPT	31.00	50.75	18.25	9.25	37.12	11.37	20.00	3.75
"	213T - 215T	"	"	"	"	"	"	"	"	"	"	"	"	"	"	"	"	"	"	"
67	182T - 184T	30.88	8.50	14.69	16.19	19.75	1.2500	.250x.125	7.75	3.00	8.50	3 NPT	31.00	50.75	18.25	9.25	37.12	11.37	20.00	3.75
"	213T - 215T	"	"	"	"	"	"	"	"	"	"	"	"	"	"	"	"	"	"	"
"	254T	"	"	"	"	"	"	"	"	"	"	"	"	"	"	"	"	"	"	"
610	182T - 184T	33.38	8.50	15.94	17.44	19.75	1.2500	.250x.125	7.75	3.00	8.50	3 NPT	40.00	50.75	23.25	13.25	37.12	11.37	20.00	3.75
"	213T - 215T	"	"	"	"	"	"	"	"	"	"	"	"	"	"	"	"	"	"	"
"	254T	"	"	"	"	"	"	"	"	"	"	"	"	"	"	"	"	"	"	"
615	145T	38.38	8.50	18.44	19.94	19.75	1.2500	.250x.125	8.00	3.00	8.50	4 NPT	40.00	50.75	23.25	13.25	37.12	11.37	20.25	3.75
"	182T - 184T	"	"	"	"	"	"	"	"	"	"	"	"	"	"	"	"	"	"	"
"	213T - 215T	"	"	"	"	"	"	"	"	"	"	"	"	"	"	"	"	"	"	"
"	254T	"	"	"	"	"	"	"	"	"	"	"	"	"	"	"	"	"	"	"
76	182T - 184T	30.25	10.25	14.25	16.00	23.25	1.5000	.375x.188	9.25	3.50	8.50	3 NPT	31.00	50.75	19.25	8.25	37.12	11.37	23.25	3.75
"	213T - 215T	"	"	"	"	"	"	"	"	"	"	"	"	"	"	"	"	"	"	"
"	254T - 256T	"	"	"	"	"	"	"	"	"	"	"	"	"	"	"	"	"	"	"
"	284T - 286T	"	"	"	"	"	"	"	"	"	"	"	"	"	"	"	"	"	"	"
710	182T - 184T	34.25	10.25	16.25	18.00	23.25	1.5000	.375x.188	9.25	3.50	8.50	4 NPT	40.00	50.75	23.25	13.25	37.12	11.37	23.25	3.75
"	213T - 215T	"	"	"	"	"	"	"	"	"	"	"	"	"	"	"	"	"	"	"
"	254T - 256T	"	"	"	"	"	"	"	"	"	"	"	"	"	"	"	"	"	"	"
"	284T - 286T	"	"	"	"	"	"	"	"	"	"	"	"	"	"	"	"	"	"	"
717	184T	41.25	10.25	19.75	21.50	23.25	1.5000	.375x.188	9.25	3.50	8.50	5 NPT	40.00	50.75	23.25	13.25	37.12	11.37	23.25	3.75
"	213T - 215T	"	"	"	"	"	"	"	"	"	"	"	"	"	"	"	"	"	"	"
"	254T - 256T	"	"	"	"	"	"	"	"	"	"	"	"	"	"	"	"	"	"	"
"	284T - 286T	"	"	"	"	"	"	"	"	"	"	"	"	"	"	"	"	"	"	"

CERTIFIED CORRECT FOR

CUSTOMER ORDER NO. _____
 ROOTS ORDER NO. _____
 DATE _____



INDUSTRIAL PRODUCTS DIVISION
 DRESSER INDUSTRIES, INC
 CONNERSVILLE, INDIANA 47331

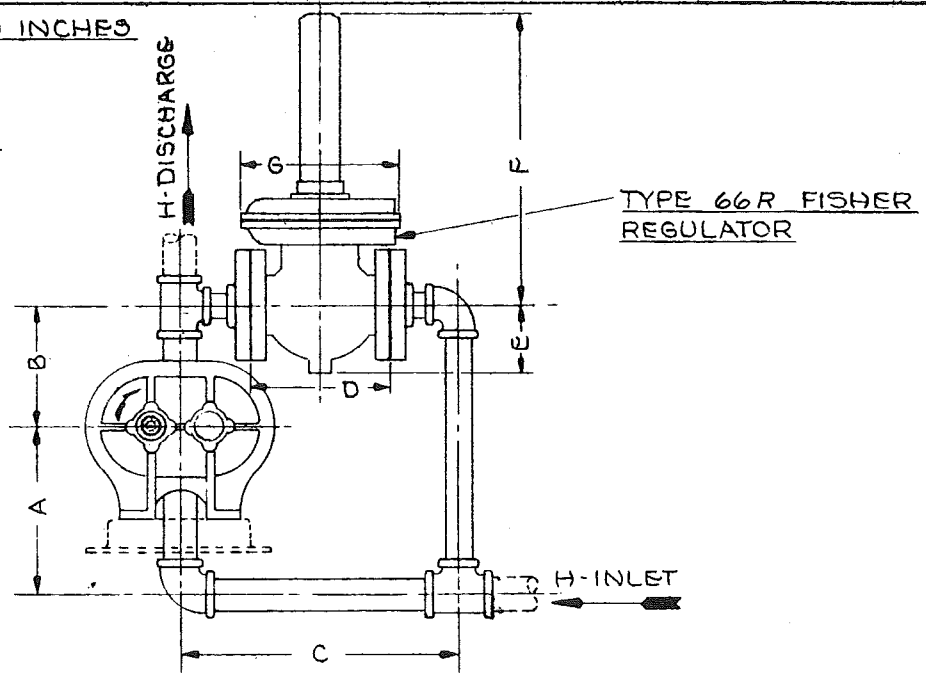
8-25-72

851-753-021

ALL DIMENSIONS IN INCHES

PIPING FURNISHED
ONLY WHEN
SPECIFIED.

Prints are loaned subject to return
upon demand, and with the express
condition that they will not be used
in any way detrimental to Roots-
Connersville Division of Dresser
Industries.



BY-PASS REGULATOR

GAS PUMP SIZE	REGULATOR SIZE	A	B	C	D	E	F	G	H
59	3	13 $\frac{1}{4}$	10 $\frac{1}{4}$	22 $\frac{1}{2}$	11 $\frac{3}{4}$	4 $\frac{5}{8}$	13	16	3
59	4	13 $\frac{1}{4}$	10 $\frac{13}{16}$	27	13 $\frac{7}{8}$	5 $\frac{3}{8}$	15 $\frac{7}{8}$	18	3
65	3	14 $\frac{7}{8}$	13 $\frac{3}{8}$	22 $\frac{1}{2}$	11 $\frac{3}{4}$	4 $\frac{5}{8}$	13	16	3
67	3	14 $\frac{7}{8}$	13 $\frac{3}{8}$	22 $\frac{1}{2}$	11 $\frac{3}{4}$	4 $\frac{5}{8}$	13	16	3
67	4	14 $\frac{7}{8}$	13 $\frac{15}{16}$	27	13 $\frac{7}{8}$	5 $\frac{3}{8}$	15 $\frac{7}{8}$	18	3
610	3	15 $\frac{7}{8}$	13 $\frac{7}{8}$	22 $\frac{1}{2}$	11 $\frac{3}{4}$	4 $\frac{5}{8}$	13	16	3
610	4	15 $\frac{7}{8}$	14 $\frac{7}{16}$	27	13 $\frac{7}{8}$	5 $\frac{3}{8}$	15 $\frac{7}{8}$	18	3
615	4	16 $\frac{1}{2}$	14 $\frac{1}{2}$	27 $\frac{1}{2}$	13 $\frac{7}{8}$	5 $\frac{3}{8}$	15 $\frac{7}{8}$	18	4
615	3	16 $\frac{1}{2}$	14 $\frac{1}{8}$	23 $\frac{1}{8}$	11 $\frac{3}{4}$	4 $\frac{5}{8}$	13	16	4
76	3	17 $\frac{3}{8}$	16 $\frac{3}{8}$	22 $\frac{1}{2}$	11 $\frac{3}{4}$	4 $\frac{5}{8}$	13	16	3
76	4	17 $\frac{3}{8}$	16 $\frac{15}{16}$	27	13 $\frac{7}{8}$	5 $\frac{3}{8}$	15 $\frac{7}{8}$	18	3
710	3	17 $\frac{3}{4}$	16 $\frac{3}{8}$	23 $\frac{1}{8}$	11 $\frac{3}{4}$	4 $\frac{5}{8}$	13	16	4
710	4	17 $\frac{3}{4}$	16 $\frac{3}{4}$	27 $\frac{1}{2}$	13 $\frac{7}{8}$	5 $\frac{3}{8}$	15 $\frac{7}{8}$	18	4
717	4	18 $\frac{1}{4}$	17 $\frac{1}{4}$	28 $\frac{1}{8}$	13 $\frac{7}{8}$	5 $\frac{3}{8}$	15 $\frac{7}{8}$	18	5

847-424-021

ROOTS CONNERSVILLE BLOWER
A DIVISION OF DRESSER INDUSTRIES INC.
CONNERSVILLE INDIANA

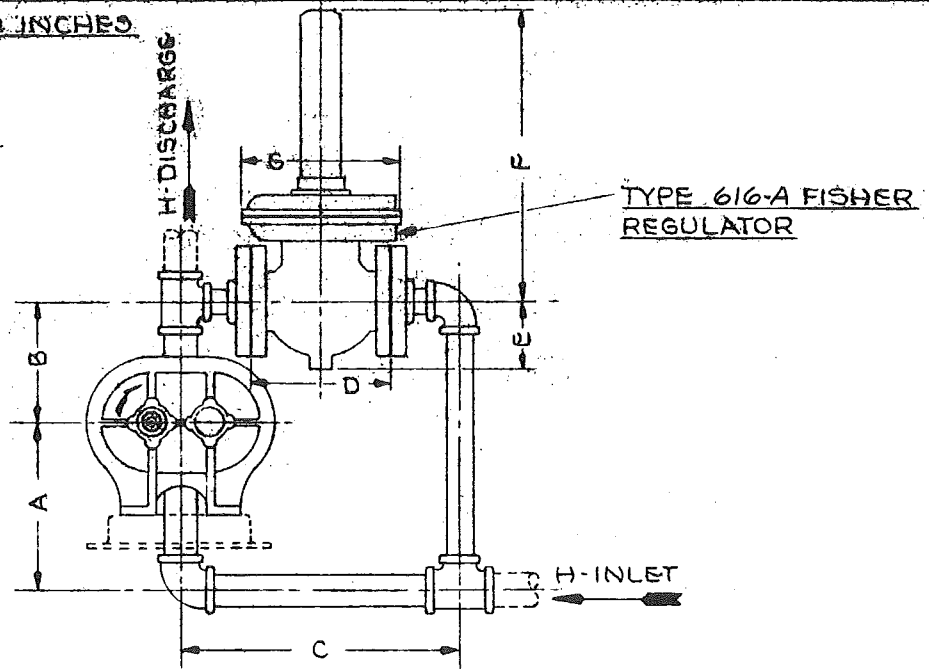
CERTIFIED FOR CUSTOMERS ORDER N^o. _____
OUR ORDER N^o. _____
DATE _____

DR. BY JC CHK'D BY MCC

ALL DIMENSIONS IN INCHES

PIPING FURNISHED
ONLY WHEN
SPECIFIED.

Prints are loaned subject to return upon demand, and with the express condition that they will not be used in any way detrimental to Roots-Connorsville Division of Dresser Industries.



BY-PASS REGULATOR

GAS PUMP SIZE	REGULATOR SIZE	A	B	C	D	E	F	G	H
59	3	13 $\frac{1}{4}$	10 $\frac{1}{4}$	22 $\frac{1}{2}$	11 $\frac{3}{4}$	6 $\frac{1}{2}$	25 $\frac{5}{16}$	16	3
59	4	13 $\frac{1}{4}$	10 $\frac{13}{16}$	27	13 $\frac{7}{8}$	8 $\frac{3}{8}$	27 $\frac{1}{16}$	16	3
65	3	14 $\frac{7}{8}$	13 $\frac{3}{8}$	22 $\frac{1}{2}$	11 $\frac{3}{4}$	6 $\frac{1}{2}$	25 $\frac{5}{16}$	16	3
67	3	14 $\frac{7}{8}$	13 $\frac{3}{8}$	22 $\frac{1}{2}$	11 $\frac{3}{4}$	6 $\frac{1}{2}$	25 $\frac{5}{16}$	16	3
67	4	14 $\frac{7}{8}$	13 $\frac{15}{16}$	27	13 $\frac{7}{8}$	8 $\frac{3}{8}$	27 $\frac{1}{16}$	16	3
610	3	15 $\frac{7}{8}$	13 $\frac{7}{8}$	22 $\frac{1}{2}$	11 $\frac{3}{4}$	6 $\frac{1}{2}$	25 $\frac{5}{16}$	16	3
610	4	15 $\frac{7}{8}$	14 $\frac{7}{16}$	27	13 $\frac{7}{8}$	8 $\frac{3}{8}$	27 $\frac{1}{16}$	16	3
615	3	16 $\frac{1}{2}$	14 $\frac{1}{8}$	23 $\frac{1}{8}$	11 $\frac{3}{4}$	6 $\frac{1}{2}$	25 $\frac{5}{16}$	16	4
615	4	16 $\frac{1}{2}$	14 $\frac{1}{2}$	27 $\frac{1}{2}$	13 $\frac{7}{8}$	8 $\frac{3}{8}$	27 $\frac{1}{16}$	16	4
615	6	16 $\frac{1}{2}$	14 $\frac{1}{2}$	31 $\frac{7}{8}$	17 $\frac{3}{4}$	11 $\frac{3}{16}$	29 $\frac{7}{8}$	16	4
76	3	17 $\frac{3}{8}$	16 $\frac{3}{8}$	22 $\frac{1}{2}$	11 $\frac{3}{4}$	6 $\frac{1}{2}$	25 $\frac{5}{16}$	16	3
76	4	17 $\frac{3}{8}$	16 $\frac{15}{16}$	27	13 $\frac{7}{8}$	8 $\frac{3}{8}$	27 $\frac{1}{16}$	16	3
710	3	17 $\frac{3}{4}$	16 $\frac{3}{8}$	23 $\frac{1}{8}$	11 $\frac{3}{4}$	6 $\frac{1}{2}$	25 $\frac{5}{16}$	16	4
710	4	17 $\frac{3}{4}$	16 $\frac{3}{4}$	27 $\frac{1}{2}$	13 $\frac{7}{8}$	8 $\frac{3}{8}$	27 $\frac{1}{16}$	16	4
710	6	17 $\frac{3}{4}$	16 $\frac{3}{4}$	31 $\frac{7}{8}$	17 $\frac{3}{4}$	11 $\frac{3}{16}$	29 $\frac{7}{8}$	16	4
717	4	18 $\frac{1}{4}$	17 $\frac{1}{4}$	28 $\frac{1}{8}$	13 $\frac{7}{8}$	8 $\frac{3}{8}$	27 $\frac{1}{16}$	16	5
717	6	18 $\frac{1}{4}$	17 $\frac{1}{4}$	33 $\frac{7}{8}$	17 $\frac{3}{4}$	11 $\frac{3}{16}$	29 $\frac{7}{8}$	16	5

847-707-021

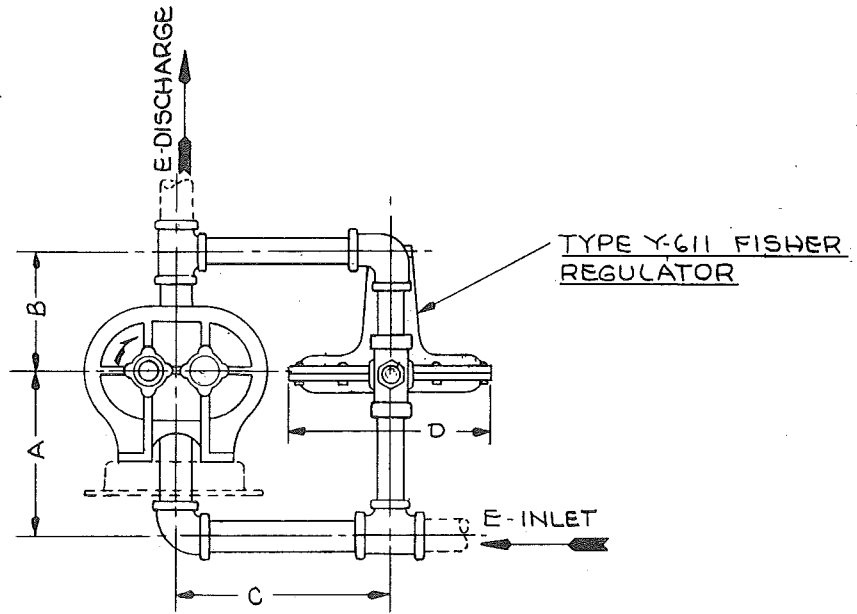
ROOTS CONNERSVILLE BLOWER
A DIVISION OF DRESSER INDUSTRIES INC.
CONNERSVILLE INDIANA

CERTIFIED FOR CUSTOMERS ORDER NO. _____
OUR ORDER NO. _____
DATE _____

DR. BY JC CHKD BY McC

ALL DIMENSIONS IN INCHES

PIPING FURNISHED
ONLY WHEN
SPECIFIED



BY-PASS
REGULATOR

GAS PUMP SIZE	REGULATOR SIZE	A	B	C	D	E			
22	1	Ⓐ 7 ⁷ / ₈	Ⓑ 6 ¹ / ₄	9 ⁵ / ₈	8 ³ / ₈	1			
22	1 1/2	Ⓑ 7 ⁷ / ₈	Ⓒ 6 ¹ / ₂	12 ⁷ / ₈	14 ¹ / ₈	1			
24	1	Ⓐ 8 ³ / ₁₆	Ⓓ 6 ³ / ₈	10 ³ / ₁₆	8 ³ / ₈	1 1/2			
24	1 1/2	Ⓐ 8 ³ / ₁₆	Ⓔ 6 ¹¹ / ₁₆	12 1/2	14 ¹ / ₈	1 1/2			
315	3/4	9 ⁵ / ₈	7 ¹ / ₁₆	10 1/2	8 ⁵ / ₈	3/4			
315	1	9 ⁵ / ₈	7 ¹ / ₈	10 ⁵ / ₁₆	8 ³ / ₈	3/4			
315	1 1/2	9 ⁵ / ₈	7 ¹³ / ₁₆	14 1/4	14 ¹ / ₈	1			
33	1	9 ⁵ / ₈	7 ⁵ / ₈	10 1/2	8 ³ / ₈	2			
33	1 1/2	9 ⁵ / ₈	7 ⁷ / ₈	13 3/4	14 ¹ / ₈	2			
33	2	9 ⁵ / ₈	8 ¹ / ₈	14	14 ¹ / ₈	2			
36	1 1/2	10 ³ / ₁₆	7 ¹¹ / ₁₆	14	14 ¹ / ₈	2 1/2			
36	2	10 ³ / ₁₆	7 ¹⁵ / ₁₆	14 1/4	14 ¹ / ₈	2 1/2			
42	1	10 ¹⁵ / ₁₆	7 ¹ / ₈	12 ³ / ₁₆	8 ³ / ₈	1 1/2			
42	1 1/2	10 ¹⁵ / ₁₆	7 ⁷ / ₁₆	14 1/2	14 ¹ / ₈	1 1/2			
42	2	10 ¹⁵ / ₁₆	7 ⁵ / ₈	14 ¹¹ / ₁₆	14 ¹ / ₈	1 1/2			
44	1 1/4	11 ¹ / ₈	8 ¹⁵ / ₁₆	11 ¹¹ / ₁₆	8 ³ / ₈	2			
44	1 1/2	11 ¹ / ₈	8 ³ / ₈	14 3/4	14 ¹ / ₈	2			
44	2	11 ¹ / ₈	8 ⁵ / ₈	15	14 ¹ / ₈	2			
47	2	12 ¹ / ₁₆	8 ¹⁵ / ₁₆	14 1/4	14 ¹ / ₈	2 1/2			
53	1 1/2	11 ¹⁵ / ₁₆	8 ¹⁵ / ₁₆	15	14 ¹ / ₈	2 1/2			
53	2	11 ¹⁵ / ₁₆	9 ¹ / ₁₆	15 3/4	14 ¹ / ₈	2 1/2			
55	2	11 ¹⁵ / ₁₆	9 ¹¹ / ₁₆	15 3/4	14 ¹ / ₈	2 1/2			
65	2	14 ⁷ / ₈	12 ¹³ / ₁₆	17 ¹¹ / ₁₆	14 ¹ / ₈	3			

27189

ROOTS CONNERSVILLE BLOWER
A DIVISION OF DRESSER INDUSTRIES INC.
CONNERSVILLE INDIANA

CERTIFIED FOR CUSTOMERS ORDER N^o _____
OUR ORDER N^o _____
DATE _____

DR BY J.K. CHKD. BY _____

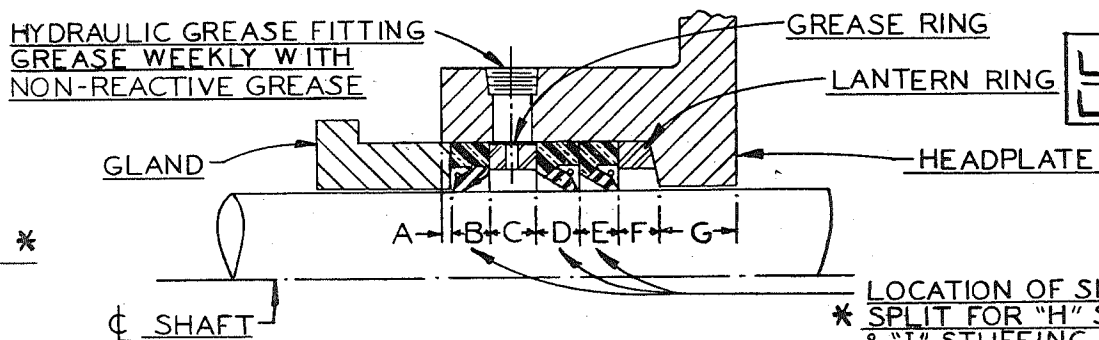
PRINTED IN U.S.A.

B WAS 7 ⁵/₈ B₁ WAS 7 ¹⁵/₁₆ B₂ WAS 6 B₃ WAS 6 ¹/₄
B₄ WAS 6 ¹/₈ B₅ WAS 6 ¹/₁₆ PERECAL 140V MS-111/62

Ⓐ REVISED 9/6 1184-V J.K. 9/6/64

PRINTS ARE LOANED SUBJECT TO RETURN UPON DEMAND, AND WITH THE EXPRESS CONDITION THAT THEY WILL NOT BE USED IN ANY WAY DETRIMENTAL TO ROOTS-CONNERSVILLE DIVISION OF DRESSER INDUSTRIES.

*
JOHNS MANVILLE CLIPPER SPLIT SEALS (EXCEPT AS NOTED)
USED ON TYPE XA GAS PUMPS



L/5	-40° F. TO +250° F.
L/10	-40° F. TO +300° F.

NOTE - SEALS MARKED WITH * ARE TO BE FURN. SOLID, NOT SPLIT.

LOCATION OF SHAFT SEAL
 * SPLIT FOR "H" SHAFT O.D.
 & "I" STUFFING BOX BORE.

(C)

PART NO.	SIZE	MOULD NO.	A	B	C	D	E	F	G	H	I	MATERIAL	REMARKS
810-229-001	2 1/2	7158 RPD	.000	1/4	3/16	1/4	1/4	1/8	1/4	.59375 ^{+.00100} _{-.00000}	1.093 ± .005	HI / L5	
810-229-002	3 1/2	9237 R	1/16	1/4	1/4	1/4	1/4	1/8	7/16	.6875 ^{+.0010} _{-.0000}	1.187 ± .005	HI / L5	
810-229-003	4	4187 B		5/16	3/16	5/16	5/16		1/2	.8125 ^{+.0010} _{-.0000}	1.312 ± .005	HI / L5	
810-229-004	5	5371 B	3/32	9/32	1/4	9/32	9/32	1/8	5/8	1.000 ^{+.001} _{-.000}	1.500 ± .005	HI / L5	
810-229-005	6	9827 RPD	1/16	5/16	3/8	5/16	5/16	1/4	11/16	1.3795 ^{+.0010} _{-.0000}	2.004 ± .005	HI / L5	
810-229-006	7	8899 R		3/8	3/8	3/8	3/8	7/16	11/16	1.579 ^{+.001} _{-.000}	2.328 ± .005	HI / L5	
810-229-007	2 1/2	7158 RPD	.000	1/4	3/16	1/4	1/4	1/8	1/4	.59375 ^{+.00100} _{-.00000}	1.093 ± .005	HI / L10	
810-229-008	7	8899 R		3/8	3/8	3/8	3/8	7/16	11/16	1.579 ^{+.001} _{-.000}	2.328 ± .005	H5 / L16	
* 810-229-009	2 1/2	17276 LUP	0	1/4	3/16	1/4	1/4	1/8	1/4	.59375 ^{+.00100} _{-.00000}	1.093 ± .005	HI / L5	TO BE SOLID SEAL

E	-009 ADDED (6-815) SOLID SEAL	DLH	2/4/70	CK MCC	DDD	ISSUED
D	-008 ADDED (5-4927)	DLH	5/9/68	CK MSC	JK	
C	REDRAWN C, ADDED	D.S.	6/24/64	-	DLH	DR. DLH 2/17/58
B	10229-3 REVISED	LH	1/17/62	1409V		CHKD. AP 3/3/58
A	REDRAWN & REVISED	WNC	1/20/59			APP. F.EX 3/4/58
	REVISIONS	BY	DATE	C/N	APP.	SCALE ~ = 1 FT.

JOHNS MANVILLE SPLIT CLIPPER SEALS
 FOR TYPE XA GAS PUMPS

ROOTS - CONNERSVILLE BLOWER
 A DIVISION OF DRESSER INDUSTRIES, INC.
 CONNERSVILLE, INDIANA

± 1/64 ON FIN. FRACT. NOT SPEC.	SHEET: 1 SEE SHEET	PART NO. 810-229-000
------------------------------------	-----------------------	-----------------------------

F) OUTBOARD SEAL REVERSED DLH 8/17/71 2259V CHK WMS