



# UNIVERSAL SILENCER

A FLEETGUARD/NELSON COMPANY  
P.O. Box 411, Stoughton, Wisconsin 53589  
608-873-4272 Fax 608-873-4298

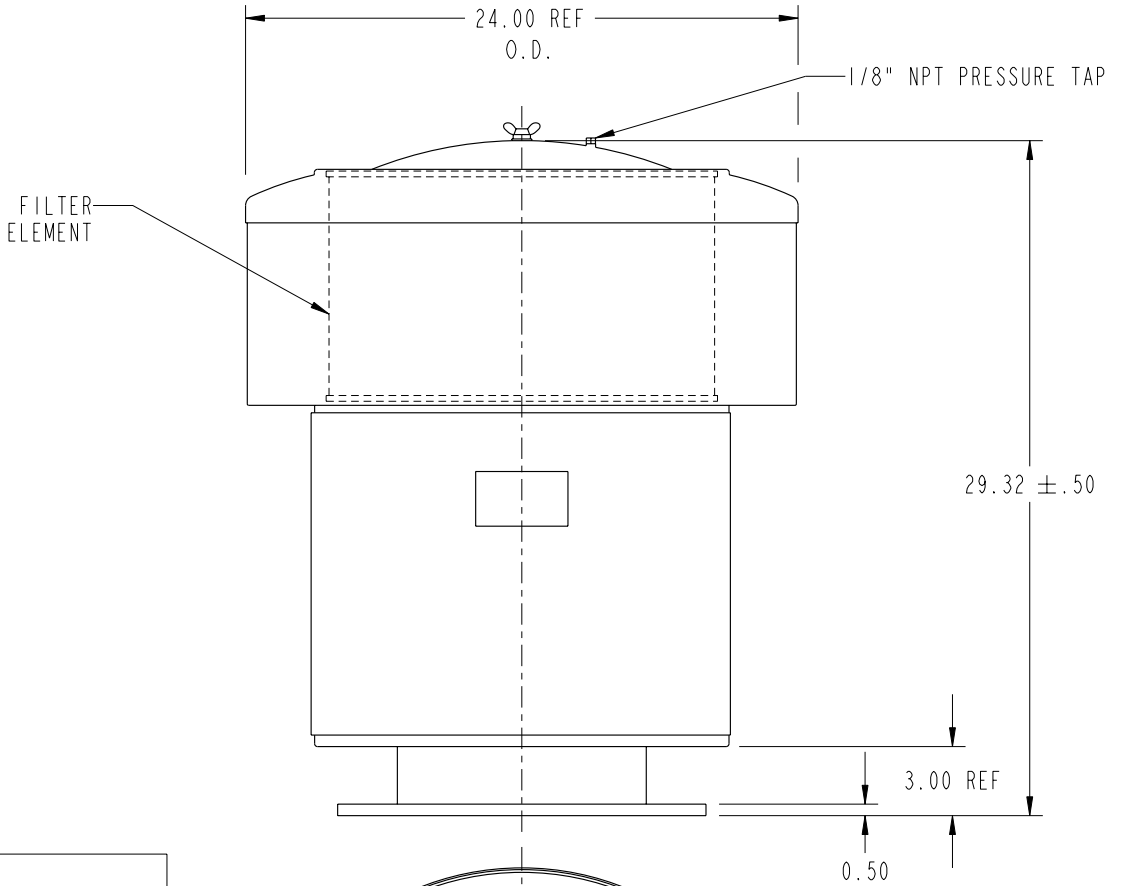
## STANDARD CCS-10 FILTER SILENCER

DATE 02-13-01

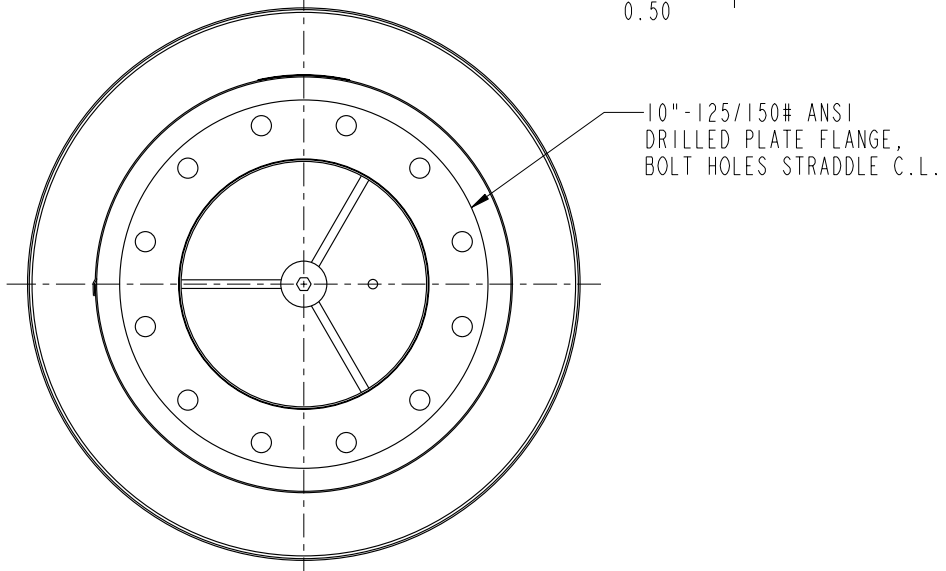
SHEET OF

SCALE 0.110"=1"

NO.	1
REVISION	REDRAWN ON PRO/ENGINEER.
DATE	02-21-01
DRAWN	DY
APP'D	MB



NOTES:  
1. NOMINAL CAPACITY:  
3,000 CFM AT FLOW VELOCITY  
OF APPROX. 5,500 FT/MIN.



This document contains CONFIDENTIAL and PROPRIETARY information of Universal Silencer, a Division of Nelson Industries, Inc. Any disclosure or unauthorized use without the express written consent of Universal Silencer is PROHIBITED.

DIMENSIONAL DRAWING NO. 34-K10-AAW

PRO/E

FILTER ELEMENTS INCLUDED (APPLIED ONLY TO ORDER FOR WHICH DRAWING IS CERTIFIED)

DIMENSIONS CERTIFIED FOR:

SINGLE STAGE	DUAL STAGE		P.O. NO:
	PRE-FILTER	FINAL FILTER	
CC-12W (WIRE) 81-1200	I		BY:
			DATE:

APPROX WT	94 LBS.	MATERIAL	STEEL	DRAWN	DY	DIMENSIONAL DRAWING NO. 34-K10-AAW	REV. 1
FINISH	88-1085 BLUE ENAMEL	CHECK	MB 04-10-01				