

Equalizer RM

Models: 4606, 4609, 4612, 6012, 60616, 6024

Bi-directional Rotation
17 Series - Horizontal Air Flow
46 Series - Vertical Air Flow

Designed to be interchangeable with equivalent Roots™ RAM™ models, EQUALIZER RM rotary positive blowers offer many distinct advantages when compared to other brands.

Features

Helical Gearing

EQUALIZER RM blowers are timed with precision helical gears, keyed to the rotor shafts. Helical gearing reduces backlash and mechanical noise as compared to spur gears offered by other manufacturers. Keyed interference fit reduces the risk of slippage of the gear on the shaft and loss of timing, one of the leading causes of blower failure.

One Piece Housing

Every EQUALIZER RM blower includes a housing constructed of a single piece of precision machined cast iron, rather than a two piece housing which is subject to misalignment and loss of operating clearances.

Rotors with Integral Shafts

EQUALIZER RM blowers include precision machined and dynamically balanced ductile iron rotors with large, integrally cast shafts to provide a single unitized rotor to prevent clash as a result of the impeller moving on its shaft.

Metric Availability

All EQUALIZER RM blowers are available with metric drive shaft and process connections.



Model Size	Max. Press. PSI	Max. Vac. (in. Hg)	Maximum RPM	Displ. CFR	Net Wgt. (lbs.)*
4606	18	16	4000	.171	280
4609	18	16	4000	.249	305
4612	15	16	4000	.328	375
6012	15	16	3000	.587	640
6016	15	16	3000	.783	690
6024	10	16	3000	1.174	820

*Approximate shipping weight.

Material Specifications:

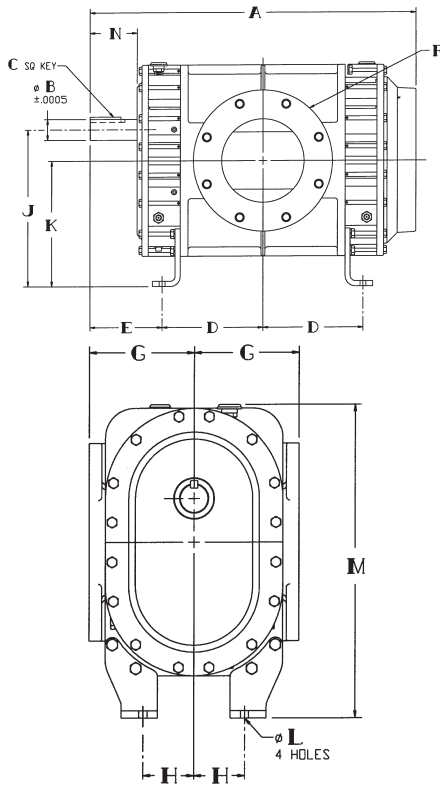
Housing: Cast iron
End Plates: Cast iron
End Covers: Cast iron
Rotors: Ductile iron
Shafts: Ductile iron cast integrally with rotor
Bearings: Gear end - Double row ball
 Drive end - Cylindrical roller
Drive Shaft: Ductile iron cast integrally with drive rotor
Gears: Heat treated alloy steel, helical cut
Seals: Lip and piston ring labyrinth type on rotor shafts;
 lip seal on the drive shaft
Lubrication: Oil splash system, both ends

Performance Tables

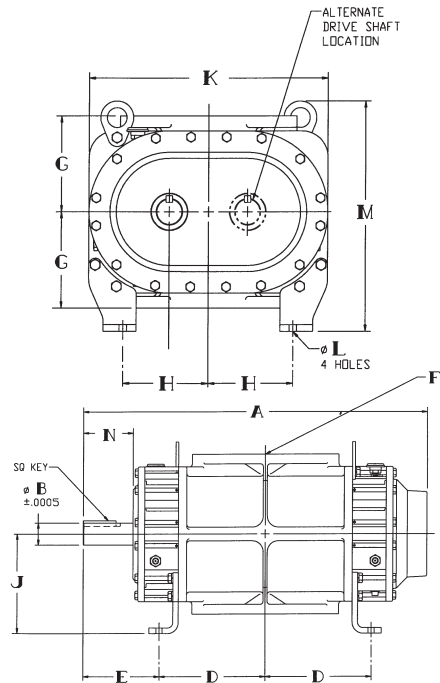
In conjunction with our program of continuous testing and design upgrading, all specifications are subject to change without notice. All data are approximate. Request a quotation for your specific application.

Pressure (14.70 PSIA and 70° F Inlet)

Horizontal Flow



Vertical Flow



MODEL	REPLACEMENT FOR	SPEED (RPM)	5 PSIG		8 PSIG		10 PSIG		12 PSIG		15 PSIG		18 PSIG		MAX. VACUUM		
			CFM	BHP	CFM	BHP	CFM	BHP	CFM	BHP	CFM	BHP	CFM	BHP	" HG	CFM	BHP
4606	ROOTS™ 406 RAM™	1150	109	5.4	85	8.0									11	82	5.8
		1750	211	8.2	188	12	175	15	163	17					14	158	11
		2950	417	14	393	20	380	25	368	29	352	36			15	353	19
		3500	511	16	487	24	474	29	462	35	446	43	432	50	16	437	24
		4000	596	19	573	28	560	34	548	40	532	49	517	58	16	522	27
4609	ROOTS 409 RAM	1150	175	7.4	145	11	129	14						12	130	8.5	
		1750	324	11	295	17	278	21	263	24				14	257	15	
		2950	623	19	594	28	577	35	562	41	542	51	523	61	16	530	28
		3500	760	22	731	34	714	41	699	49	679	60	660	72	16	667	33
		4000	885	26	855	39	839	47	823	56	803	69	785	82	16	791	38
4612	ROOTS 412 RAM	1150	245	9.3	210	14	190	18	173	21				13	179	12	
		1750	442	14	407	22	387	27	369	32				15	347	20	
		2950	836	24	801	37	781	45	763	53	739	66		16	725	36	
		3500	1016	28	981	43	961	53	943	63	919	78		16	905	43	
		4000	1180	32	1145	50	1125	61	1107	73	1083	90		16	1069	49	
6012	SUTORBILT® 612 4500 SERIES	1150	465	16	409	25	378	31	350	37				14	337	22	
		1450	641	20	586	31	554	39	526	46	487	57		15	490	29	
		1750	817	24	762	38	730	47	702	56	663	69		16	641	37	
		2400	1199	33	1143	52	1112	64	1083	76	1045	95		16	1023	51	
		3000	1551	42	1495	65	1464	80	1436	95	1397	119		16	1375	64	
6016	ROOTS 616 RAM	1150	638	21	568	33	529	41	494	48				14	478	28	
		1450	873	26	803	41	764	51	728	61	680	76		15	684	38	
		1750	1108	32	1038	50	999	62	963	74	915	92		16	888	49	
		2400	1617	44	1547	68	1508	85	1472	101	1424	126		16	1397	67	
		3000	2086	55	2017	85	1978	106	1942	126	1894	157		16	1866	84	
6024	ROOTS 624 RAM	1150	983	31	885	48	830	60						13	798	39	
		1450	1335	39	1237	61	1183	76						14	1111	53	
		1750	1687	47	1590	74	1535	92						15	1423	68	
		2400	2450	64	2353	101	2298	126						16	2142	99	
		3000	3154	80	3057	126	3002	157						16	2847	124	

Dimensions

Model	Series	A	B	C	D	E	F	G	H	J	K	L	M	N
4606	17 46	20.00	1.500	.375	4.75	5.69	4" NPT	6.00	2.50 4.75	11.30 7.50	9.00 14.25	.438	16.62 13.50	3.69
4609	17 46	23.00	1.500	.375	6.25	5.69	4" NPT	5.50	2.50 4.75	11.30 7.50	9.00 14.25	.438	16.62 13.00	3.69
4612	17 46	26.00	1.500	.375	7.75	5.69	6" FLG	5.50	2.50 4.75	11.30 7.50	9.00 14.25	.438	16.62 13.00	3.69
6012	17 46	27.63	1.562	.375	7.31	7.44	8" FLG	9.00	4.00 6.00	15.00 9.00	12.00 18.25	.750	23.37 17.37	4.56
6016	17 46	31.63	2.000	.500	9.75	7.00	8" FLG	7.25	3.50 6.50	15.00 9.00	12.00 18.25	.562	23.37 17.37	4.56
6024	17 46	39.63	2.000	.500	13.75	7.00	10" FLG	7.25	3.50 6.50	15.00 9.00	12.00 18.25	.562	23.37 17.37	4.56

Values are approximate and should not be used for construction. Certified prints are available through your local Tuthill Vacuum & Blower Systems Sales Professional.

Your Local Tuthill Vacuum Blower Systems Sales Professional:



Tuthill Vacuum & Blower Systems
 4840 West Kearney Street
 Springfield, Missouri USA 65803-8702
 o 417.865.8715 800.825.6937 f 417.865.2950
 tuthillvacuumblower.com



TH-045 01/17