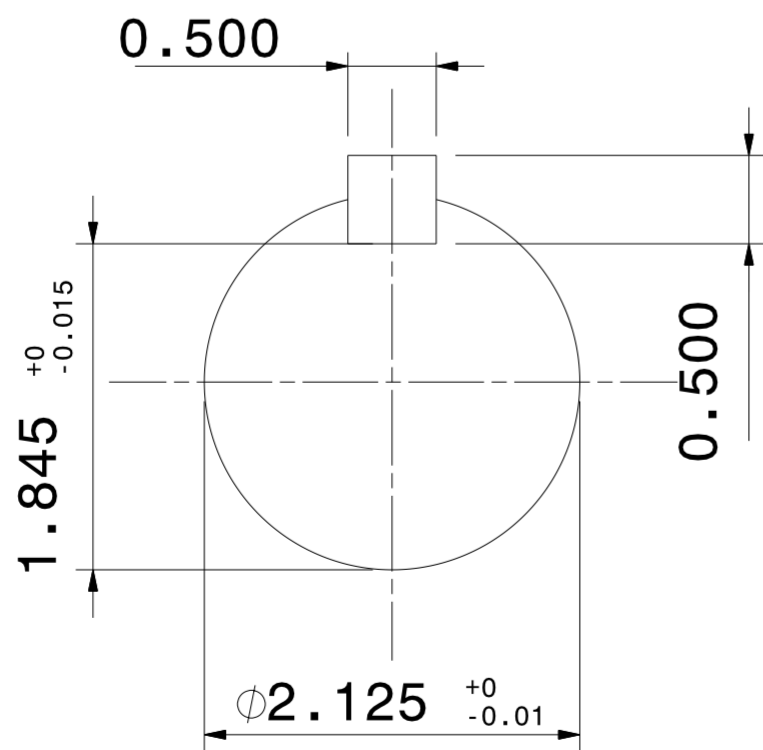
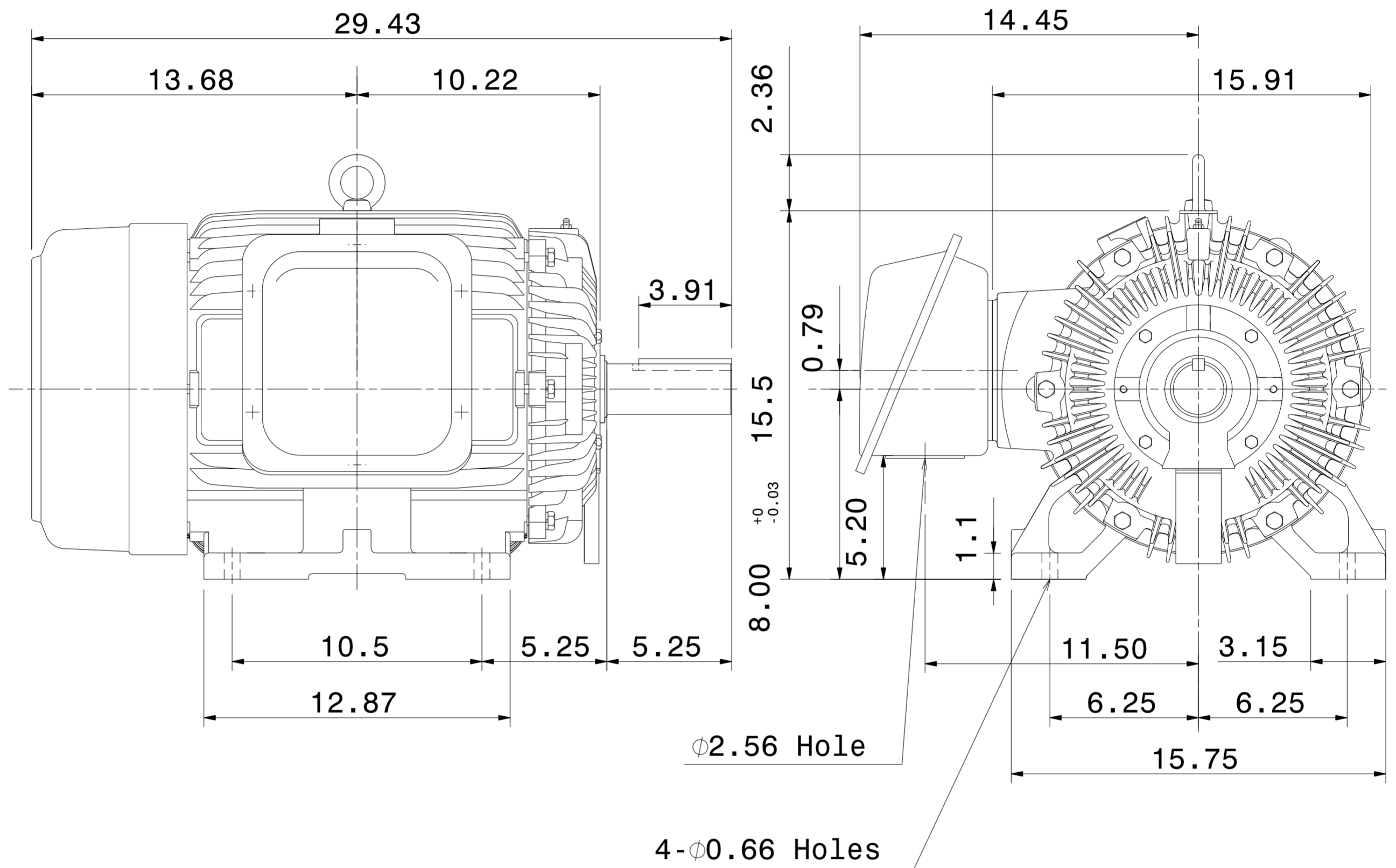


DATE MAY. 21, 2020	<b>OUTLINE DIMENSIONS</b> <b>3-PHASE INDUCTION MOTOR</b>	MOTOR TYPE: <b>AEHH8P</b>
CAT.#: NP0404		FRAME NO. <b>324T(X)</b>

Pole	HP	kW	Hz	VOLT	r/min(rpm)
4	40	30	60	230/460	1800

Ins	Rating	Dimension in	Approx Weight	Bearings	
F	CONT.	inch	505 lbs	DE: 6312	NDE: 6310

Totally Enclosed Fan-Cooled Type. Squirrel-cage Rotor.



3	01.17.20	Enlarge T-BOX volume.	Z.L.LEE
---	----------	-----------------------	---------

DWG.	J.F.CHEN	06-27-19	<b>TECO</b> <b>Westinghouse</b>	DWG NO.
CHKD.	M.C.JENG	06-28-19		<b>31057M095013</b>
APPD.	M.C.JENG	06-28-19		