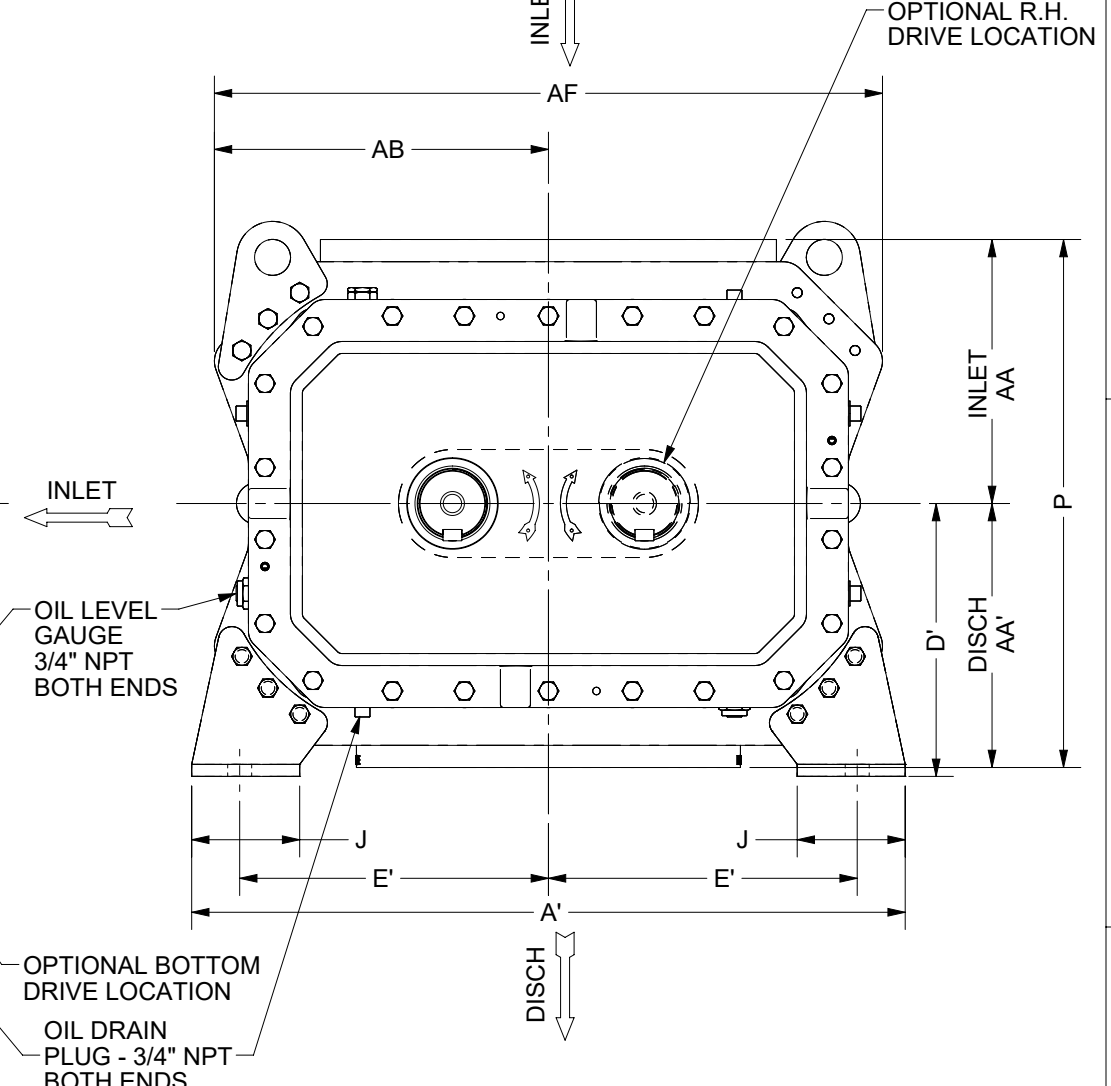
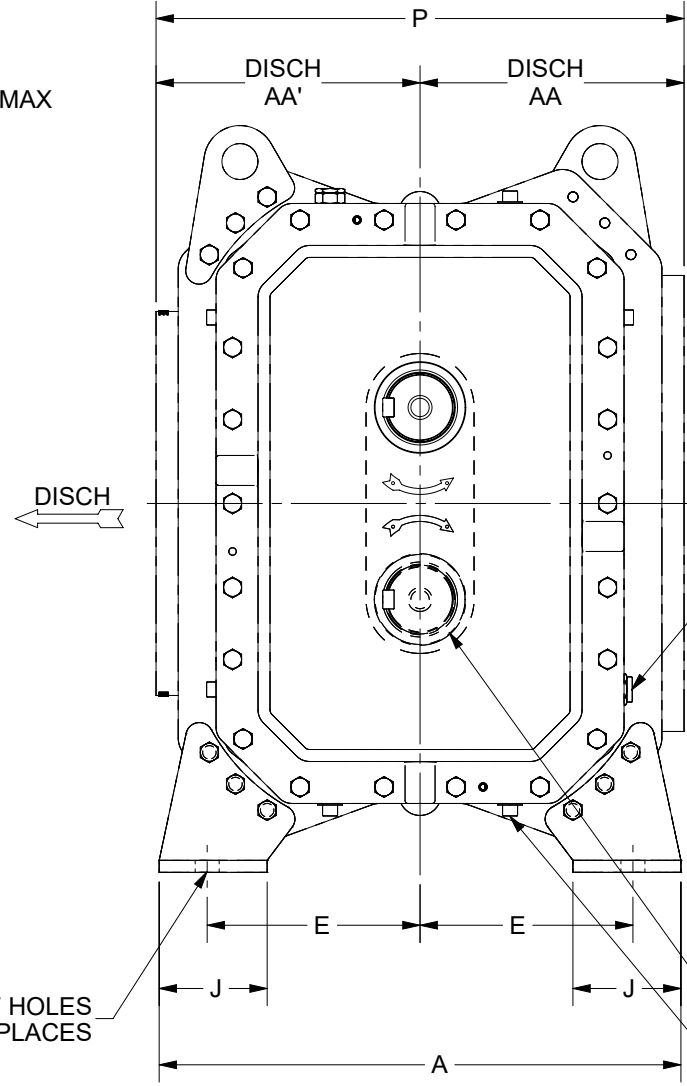
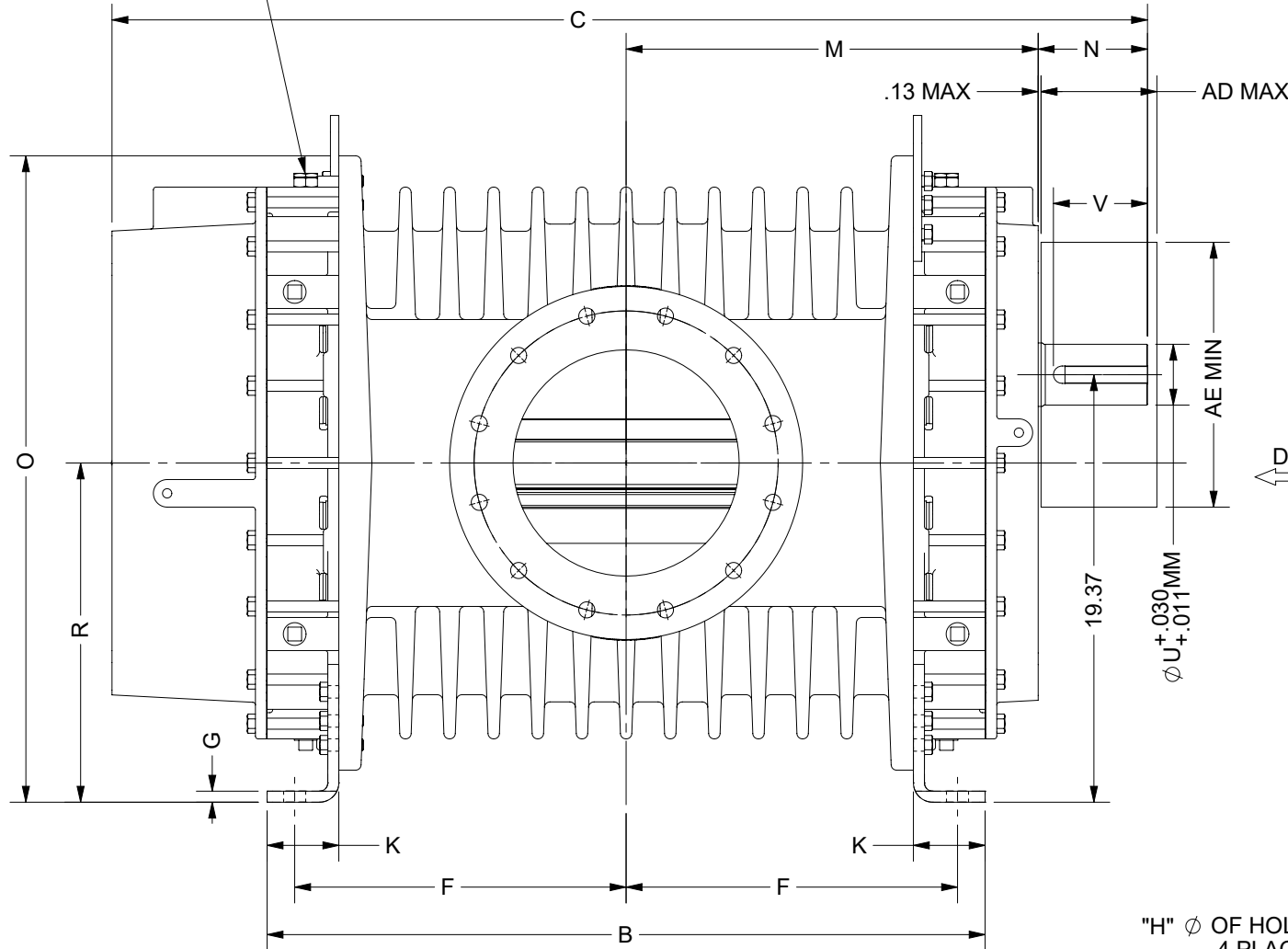


OIL FILL/BREATHER  
3/4" NPT BOTH ENDS



- NOTES:
1. INLET & DISCHARGE FLANGES TO MATE FLUSH AND SQUARE WITH FLAT FACE FLANGE ONLY. USE FULL FACE GASKETS.
  2. V-BELT DRIVEN UNITS: MOTOR TO BE LOCATED ON INLET SIDE OF BLOWER
  3. AD - MAXIMUM SHEAVE WIDTH (SEE OVERHUNG LOAD LIMIT K-24102)
  4. AE - MINIMUM SHEAVE DIAMETER (SEE OVERHUNG LOAD LIMIT K-24102)

VERTICAL				HORIZONTAL			
DRIVE LOCATION				DRIVE LOCATION			
DISCH LOCATION	LEFT	CW	CCW	DISCH LOCATION	TOP	CW	CCW
	RIGHT	CCW	CW		BOTT	CCW	CW

DIN FLANGE (MM) REFER TO EN 1092-2/PN10 FOR FLANGE SPECIFICATIONS			
FLANGE	250	300	350
BOLT CIRCLE	350 (13.78")	400 (15.75")	460 (18.11")
# OF TAPPED HOLES	12	12	16
HOLE SIZE	M20 X 1.5	M20 X 1.5	M20 X 1.5

MODEL	A	A'	B	C	D	D'	E	E'	F	G	H	J	K	M	N	O	P	R	U (MM)	V (MM)	KEYWAY (MM)	INLET AA	DISCH AA'	AB	AD	AE	AF	DISCH FLANGE	INLET FLANGE	APPROX. WEIGHT
826	21.74 [552.2]	29.73 [755.1]	32.54 [826.5]	46.98 [939.3]	19.37 [492.0]	11.37 [288.8]	8.87 [225.3]	12.87 [326.9]	15.02 [381.5]	.50 [12.7]	1.00 [25.4]	4.50 [114.3]	3.25 [82.6]	18.70 [475.0]	4.94 [125.5]	29.29 [744.0]	22.00 [558.8]	15.37 [390.4]	70.00	102.00	20.0 X 8.0	11.00 [279.4]	11.00 [279.4]	13.92 [353.6]	7.19 [182.6]	13.20 [335.3]	27.84 [707.1]	250	300	2000 LBS [907 KG]
832	"	"	38.55 [979.2]	52.99 [1346.0]	"	"	"	"	18.02 [457.7]	"	"	"	"	21.70 [551.2]	"	"	"	"	"	"	"	"	"	"	"	"	300	350	2200 LBS [998 KG]	

**CONFIDENTIAL AND PROPRIETARY:** THIS DRAWING IS CONFIDENTIAL AND IS THE PROPERTY OF HOWDEN ROOTS, LLC. THE DRAWING OR ANY PART THEREOF MUST NOT BE COPIED OR OTHERWISE REPRODUCED OR DIVULGED TO ANY OTHER PARTY, OR USED FOR MANUFACTURE OR OTHER PURPOSE WITHOUT THE EXPRESS PERMISSION OF THE COMPANY.

MFG. REF. :	SPEC SECTION:	ENGINEER CO.:	MAT'L. :	PATT. No. :	GEOMETRIC TOLERANCE PER: EP938	ORDER No.		
			DR. SRL 05/14/2018		DO NOT SCALE FOR DIMENSIONS ALL DIMENSIONS SHOWN IN BRACKETS [ ] ARE MILLIMETERS			
			CHKD.	T1: TWO PLACE DECIMALS (.XX)---±.015 THREE PLACE DECIMALS (.XXX)---±.005 FRACTIONAL---±1/64	T2: ANCHOR BOLT LOCATIONS ±.13 BLOWER INLET & DISCHARGE LOCATIONS ±.25 ALL OTHER DIMENSIONS REFERENCE	FINISH IN μ INCHES		
			APP. DEB 07/17/2018	<b>DIMENSIONAL DRAWING</b> 800 TRI-RAM ROUND FLANGE			THIRD ANGLE PROJECTION	
			DBV.				PURCHASE ORDER: PROJECT: LOCATION: EQUIPMENT No. : CERTIFIED BY: DATE (M/D/Y):	Connersville, IN USA P: 765-827-9200 F: 765-827-9266
A	RELEASED	SRL 07/17/2018	DEB	SCALE 1-1/2"=1'-0"	DATE M/D/Y	RC-201363021 SHEET 1 OF 1	REV A	
REVISIONS		BY	DATE M/D/Y	CHANGE NOTICE	CHKD	APP	CAD FORMAT SOLIDWORKS	CAD FILE / DIRECTORY RC-201363A21 / XXAD

**Howden**  
Connersville, IN USA  
P: 765-827-9200 F: 765-827-9266