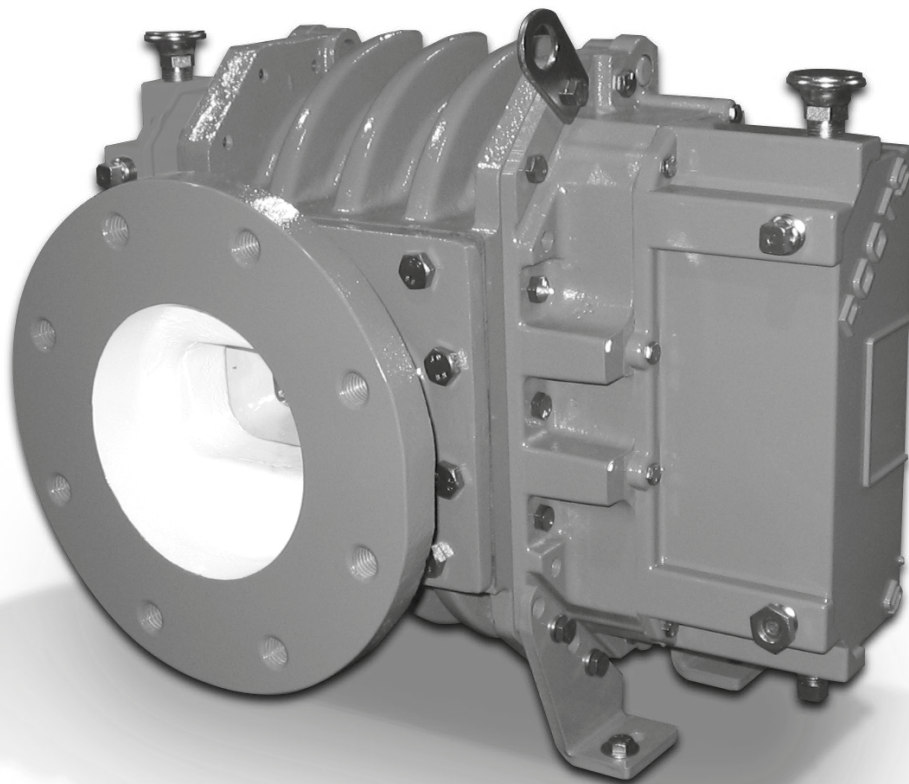


# Roots® Tri-RAM™ Tri-lobe blowers

Installation operation and maintenance manual



# Contents

Information summary	1
Safety precautions	2
Operating limitations	2
Installation	3 – 5
Lubrication	6
Operation	7
Troubleshooting checklist	8
Inspection & maintenance	9
Figures	10 – 11
Tables	12
Parts list	13, 16, 18
Assembly drawings	14 – 15, 17, 19

# Information summary

## Do these things to get the most from your Roots blower

---

Check shipment for damage. If found, file claim with carrier and notify Roots.

---

Unpack shipment carefully, and check contents against packing list. Notify Roots if a shortage appears.

---

Store in a clean, dry location until ready for installation. Lift by methods discussed under **Installation** to avoid straining or distorting the equipment. Keep covers on all openings. Protect against weather and corrosion if outdoor storage is necessary.

---

Read **Operating limitations** and **Installation** sections in this manual and plan the complete installation.

---

Provide for adequate safeguards against accidents to persons working on or near the equipment during both installation and operation. See **Safety precautions**.

---

Install all equipment correctly. Foundation design must be adequate and piping carefully done. Use recommended accessories for operating protection.

---

Make sure both driving and driven equipment is correctly lubricated before start-up. See **Lubrication**.

---

In event of trouble during installation or operation, do not attempt repairs of Roots furnished equipment. Notify Roots, giving all nameplate information plus an outline of operating conditions and a description of the trouble. Unauthorized attempts at equipment repair may void Roots warranty.

---

Units out of warranty may be repaired or adjusted by the owner. Good inspection and maintenance practices should reduce the need for repairs.

---

**Note:** Information in this manual is correct as of the date of publication. Roots reserves the right to make design or material changes without notice, and without obligation to make similar changes on equipment of prior manufacture.

## Safety precautions

It is important that all personnel observe safety precautions to minimize the chances of injury.

### Among many considerations, the following should be particularly noted:

---

Blower casing and associated piping or accessories may become hot enough to cause major skin burns on contact.

---

Internal and external rotating parts of the blower and driving equipment can produce serious physical injuries. Do not reach into any opening in the blower while it is operating, or while subject to accidental starting. Protect external moving parts with adequate guards.

---

Disconnect power before doing any work, and avoid bypassing or rendering inoperative any safety or protective devices.

---

If blower is operated with piping disconnected, place a strong coarse screen over the inlet and avoid standing in the discharge air stream.

---

### Caution: Never cover the blower inlet with your hand or other part of body.

---

Stay clear of inlet and discharge openings.

---

Stay clear of the blast from pressure relief valves and the suction area of vacuum relief valves.

---

Use proper care and good procedures in handling, lifting, installing, operating and maintaining the equipment.

---

Casing pressure must not exceed 25 PSI (1725 mbar) gauge. Do not pressurize vented cavities from an external source, nor restrict the vents without first consulting Roots.

---

Do not use air blowers on explosive or hazardous gases.

---

Other potential hazards to safety may also be associated with operation of this equipment. All personnel working in or passing through the area should be trained to exercise adequate general safety precautions.

---

## Operating limitations

A Roots blower or exhauster must be operated within certain approved limiting conditions to enable continued satisfactory performance. Warranty is contingent on such operation.

Maximum limits for pressure, temperature and speed are specified in Table 1, page 12 for various models & sizes of blowers & exhausters. These limits apply to all units of normal construction, when operated under standard atmospheric conditions. Be sure to arrange connections or taps for instruments such as thermometers and pressure or vacuum gauges at or near the inlet and discharge connections of the unit. These, along with a tachometer, will enable periodic checks of operating conditions.

### Pressure

The pressure rise, between inlet and discharge, must not exceed the figure listed for the specific unit frame size concerned. Also, in any system where the unit inlet is at a positive pressure above atmosphere a maximum case rating of 25 PSI gauge (1725 mbar) should not be exceeded without first consulting Roots. Never should the maximum allowable differential pressure be exceeded.

On vacuum service, with the discharge to atmospheric pressure, the inlet suction or vacuum must not be greater than values listed for the specific frame size.

### Temperature: Blower & exhauster frame sizes are approved only for installations where the following temperature limitations can be maintained in service:

---

Measured temperature rise must not exceed listed values when the inlet is at ambient temperature. Ambient is considered as the general temperature of the space around the unit. This is not outdoor temperature unless the unit is installed outdoors.

---

If inlet temperature is higher than ambient, the listed allowable temperature rise values must be reduced by 2/3 of the difference between the actual measured inlet temperature and the ambient temperature.

---

The average of the inlet and discharge temperature must not exceed 250°F. (121°C).

---

The ambient temperature of the space the blower/motor is installed in should not be higher than 120°F (48.8°C).

---

### Speed

These blowers & exhausters may be operated at speeds up to the maximum listed for the various frame sizes. They may be direct coupled to suitable constant speed drivers if pressure/temperature conditions are also within limits. At low speeds, excessive temperature rise may be a limiting factor.

**Special note:** The listed maximum allowable temperature rise for any particular blower & exhauster may occur well before its maximum pressure or vacuum rating is reached. This may occur at high altitude, low vacuum or at very low speed. The units' operating limit is always determined by the maximum rating reached first. It can be any one of the three: Pressure, Temperature or Speed.

# Installation

Roots blowers & exhausters are treated after factory assembly to protect against normal atmospheric corrosion. The maximum period of internal protection is considered to be one year under average conditions, if shipping plugs & seals are not removed. Protection against chemical or salt water atmosphere is not provided. Avoid opening the unit until ready to start installation, as corrosion protection will be quickly lost due to evaporation.

## If there is to be an extended period between installation and start up, the following steps should be taken to ensure corrosion protection.

---

Coat internals of cylinder, gearbox and drive end bearing reservoir with Nox-Rust VCI-10 or equivalent. Repeat once a year or as conditions may require. Nox-Rust VCI-10 is petroleum soluble and does not have to be removed before lubricating. It may be obtained from Daubert Chemical Co., 2000 Spring Rd., Oak Brook, Ill. 60521.

---

Paint shaft extension, inlet and discharge flanges, and all other exposed surfaces with Nox-Rust X-110 or equivalent.

---

Seal inlet, discharge, and vent openings. It is not recommended that the unit be set in place, piped to the system, and allowed to remain idle for extended periods. If any part is left open to the atmosphere, the Nox-Rust VCI-10 vapor will escape and lose its effectiveness.

---

Protect units from excessive vibration during storage.

---

Rotate shaft three or four revolutions every two weeks.

---

Prior to start up, remove flange covers on both inlet and discharge and inspect internals to insure absence of rust. Check all internal clearances. Also, at this time, remove gearbox and drive end bearing cover and inspect gear teeth and bearings for rust.

---

Because of the completely enclosed unit design, location of the installation is generally not a critical matter. A clean, dry and protected indoor location is preferred. However, an outdoor location will normally give satisfactory service. Important requirements are that the correct grade of lubricating oil be provided for expected operating temperatures, and that the unit be located so that routine checking and servicing can be performed conveniently. Proper care in locating driver and accessory equipment must also be considered.

Supervision of the installation by a Roots service engineer is not usually required for these units. Workmen with experience in installing light to medium weight machinery should be able to produce satisfactory results. Handling of the equipment needs to be accomplished with care, and in compliance with safe practices. Unit mounting must be solid, without strain or twist, and air piping must be clean, accurately aligned and properly connected.

## Bare-shaft units

Two methods are used to handle a unit without base. One is to use lifting lugs bolted into the top of the unit headplates. Test them first for tightness and fractures by tapping with a hammer. In lifting, keep the direction of cable pull on these bolts as nearly vertical as possible. If lifting lugs are not available, lifting slings may be passed under the cylinder adjacent to the headplates. Either method prevents strain on the extended drive shaft.

## Packaged Units

When the unit is furnished mounted on a baseplate, with or without a driver, use of lifting slings passing under the base flanges is required. Arrange these slings so that no strains are placed on the unit casing or mounting feet, or on any mounted accessory equipment. **Do not use the lifting lugs in the top of the unit headplates.**

Before starting the installation, remove plugs, covers or seals from unit inlet and discharge connections and inspect the interior completely for foreign material. If cleaning is required, finish by washing the cylinder, headplates and impeller thoroughly with a petroleum solvent. Turn the drive shaft by hand to make sure that the impellers turn freely at all points. Anti-rust compound on the connection flanges and drive shaft extension may also be removed at this time with the same solvent. Cover the flanges until ready to connect piping.

## Mounting

Care will pay dividends when arranging the unit mounting. This is especially true when the unit is a 'bare-shaft' unit furnished without a baseplate. The convenient procedure may be to mount such a unit directly on a floor or small concrete pad, but this generally produces the least satisfactory results. It definitely causes the most problems in leveling and alignment and may result in a 'Soft Foot' condition. Correct soft foot before operation to avoid unnecessary loading on the casing and bearings. Direct use of building structural framing members is not recommended.

For blowers without a base, it is recommended that a well anchored and carefully leveled steel or cast iron mounting plate be provided. The plate should be at least 1 inch (25 mm) thick, with its top surface machined flat, and large enough to provide leveling areas at one side and one end after the unit is mounted. It should have properly sized studs or tapped holes located to match the unit foot drilling. Proper use of a high quality machinist's level is necessary for adequate installation.

With the mounting plate in place and leveled, set the unit on it without bolting and check for rocking. If it is not solid, determine the total thickness of shims required under one foot to stop rocking. Place half of this under each of the diagonally-opposite short feet, and tighten the mounting studs or screws. Rotate the drive shaft to make sure the impellers turn freely. If the unit is to be direct coupled to a driving motor, consider the height of the motor shaft and the necessity for it to be aligned very accurately with the unit shaft. Best unit arrangement is directly bolted to the mounting plate while the driver is on shims of at least 1/8 inch (3mm) thickness. This allows adjustment of motor position in final shaft alignment by varying the shim thickness.

## Aligning

When unit and driver are factory mounted on a common baseplate, the assembly will have been properly aligned and is to be treated as a unit for leveling purposes. Satisfactory installation can be obtained by setting the baseplate on a concrete slab that is rigid and free of vibration, and leveling the top of the base carefully in two directions so that it is free of twist. The slab must be provided with suitable anchor bolts. The use of grouting under and partly inside the leveled and shimmed base is recommended.

It is possible for a base-mounted assembly to become twisted during shipment, thus disturbing the original alignment. For this reason, make the following checks after the base has been leveled and bolted down. Disconnect the drive and rotate the unit shaft by hand. It should turn freely at all points. Loosen the unit foot hold-down screws and determine whether all feet are evenly in contact with the base. If not, insert shims as required and again check for free impeller rotation.

Finally, if unit is direct coupled to the driver, check shaft and coupling alignment carefully and make any necessary corrections.

In planning the installation, and before setting the unit, consider how piping arrangements are dictated by the unit design and assembly. Drive shaft rotation must be established accordingly and is indicated by an arrow near the shaft.

Typical arrangement on vertical units has the drive shaft at the top with counterclockwise rotation and discharge to the left. Horizontal units are typically arranged with the drive shaft at the left with counterclockwise rotation and discharge down. See Figure 4 for other various unit arrangements and possible conversions.

When a unit is **direct coupled** to its driver, the driver RPM must be selected or governed so as not to exceed the maximum speed rating of the unit. Refer to Table 1, page 12 for allowable speeds of various unit sizes.

A flexible type coupling should always be used to connect the driver and unit shafts.

When direct coupling a motor or engine to a blower you must ensure there is sufficient gap between the coupling halves and the element to prevent thrust loading the blower bearings. When a motor, engine or blower is operated the shafts may expand axially. If the coupling is installed in such a manner that there is not enough room for expansion the blower shaft can be forced back into the blower and cause the impeller to contact the gear end headplate resulting in damage to the blower. The two shafts must be in as near perfect alignment in all directions as possible, and the gap must be established with the motor armature on its electrical center if end-play exists. Coupling manufacturer's recommendations for maximum misalignment, although acceptable for the coupling, are normally too large to achieve smooth operation and maximum life of the blower.

The following requirements of a good installation are recommended. When selecting a coupling to be fitted to the blower shaft Roots recommends a taper lock style coupling to ensure proper contact with the blower shaft. Coupling halves must be fitted to the two shafts with a line to line thru .001" interference fit. Coupling halves must be warmed up per coupling manufacturer's recommendations. Maximum deviation in offset alignment of the shafts should not exceed .005" (.13 mm) total indicator reading, taken on the two coupling hubs. Maximum deviation from parallel of the inside coupling faces should not exceed .001" (.03 mm) when checked at six points around the coupling.

When a unit is **belt driven**, the proper selection of sheave diameters will result in the required unit speed. When selecting a sheave to be fitted to the blower shaft Roots recommends a taper lock style sheave to insure proper contact with the blower shaft. This flexibility can lead to operating temperature problems caused by unit speed being too low. Make sure the drive speed selected is within the allowable range for the specific unit size, as specified under Table 1, page 12.

Belt drive arrangements should employ two or more V-belts running in grooved sheaves. Installation of the driver is less critical than for direct coupling, but its shaft must be level and parallel with the unit shaft.

**The driver should be mounted on the inlet side of a vertical unit (horizontal piping) and on the side nearest to the shaft on a horizontal unit.** The driver must also be mounted on an adjustable base to permit installing, adjusting and removing the V-belts. To position the driver correctly, both sheaves need to be mounted on their shafts and the nominal shaft center distance known for the belt lengths to be used.

**Caution:** Drive couplings and sheaves (pulleys) should have an interference fit to the shaft of the blower (set screw types of attachment generally do not provide reliable service.) It is recommended that the drive coupling or sheave used have a taper lock style bushing which is properly sized to provide the correct interference fit required. Drive couplings, that require heating to fit on the blower shaft, should be installed per coupling manufacturer recommendations. A drive coupling or sheave should not be forced on to the shaft of the blower as this could affect internal clearances resulting in damage to the blower.

**Engine drive applications often require special consideration to drive coupling selection to avoid harmful torsional vibrations. These vibrations may lead to blower damage if not dampened adequately. It is often necessary to install a fly-wheel and/or a torsionally soft elastic element coupling based on the engine manufacturer recommendations.**

The driver sheave should also be mounted as close to its bearing as possible, and again should fit the shaft correctly. Position the driver on its adjustable base so that 2/3 of the total movement is available in the direction away from the unit, and mount the assembly so that the face of the sheave is accurately in line with the unit sheave. This position minimizes belt wear, and allows sufficient adjustment for both installing and tightening the belts. After belts are installed, adjust their tension in accordance with the manufacturer's instructions. However, only enough tension should be applied to prevent slippage when the unit is operating under load. Excessive tightening can lead to early bearing concerns or shaft breakage.

Before operating the drive under power to check initial belt tension, first remove covers from the unit connections. Make sure the interior is still clean, then rotate the shaft by hand. Place a coarse screen over the inlet connection to prevent anything being drawn into the unit while it is operating, and avoid standing in line with the discharge opening. Put oil in the sumps per instructions under **Lubrication**.

## Piping

Before connecting piping, remove any remaining anti-rust compound from Unit connections. Clean pipe should be no smaller than unit connections. In addition, make sure it is free of scale, cuttings, weld beads, or foreign material of any kind. To further guard against damage to the unit, especially when an inlet filter is not used, install a substantial screen of 16 mesh backed with hardware cloth at or near the inlet connections. Make provisions to clean this screen of collected debris after a few hours of operation. It should be removed when its usefulness has ended, as the wire will eventually deteriorate and small pieces going into the unit may cause serious damage.

Pipe flanges or male threads must meet the unit connections accurately and squarely. **Do not attempt to correct misalignment by springing or cramping the pipe.** In most cases this will distort the unit casing and cause impeller rubbing. In severe cases it can prevent operation or result in a broken drive shaft. For similar reasons, piping should be supported near the unit to eliminate dead weight strains. Also, if pipe expansion is likely to occur from temperature change, installation of flexible connectors or expansion joints is advisable.

Figure 3, page 10 represents an installation with all accessory items that might be required under various operating conditions. Inlet piping should be completely free of valves or other restrictions. When a shut-off valve can not be avoided, make sure a full size vacuum relief is installed nearest the unit inlet. This will protect against unit overload caused by accidental closing of the shut-off valve.

Need for an inlet silencer will depend on unit speed and pressure, as well as sound-level requirements in the general surroundings. An inlet filter is recommended, especially in dusty or sandy locations. A discharge silencer is also normally suggested, even though Whispair units operate at generally lower noise levels than conventional rotary blowers. Specific recommendations on silencing can be obtained from your local Roots distributor.

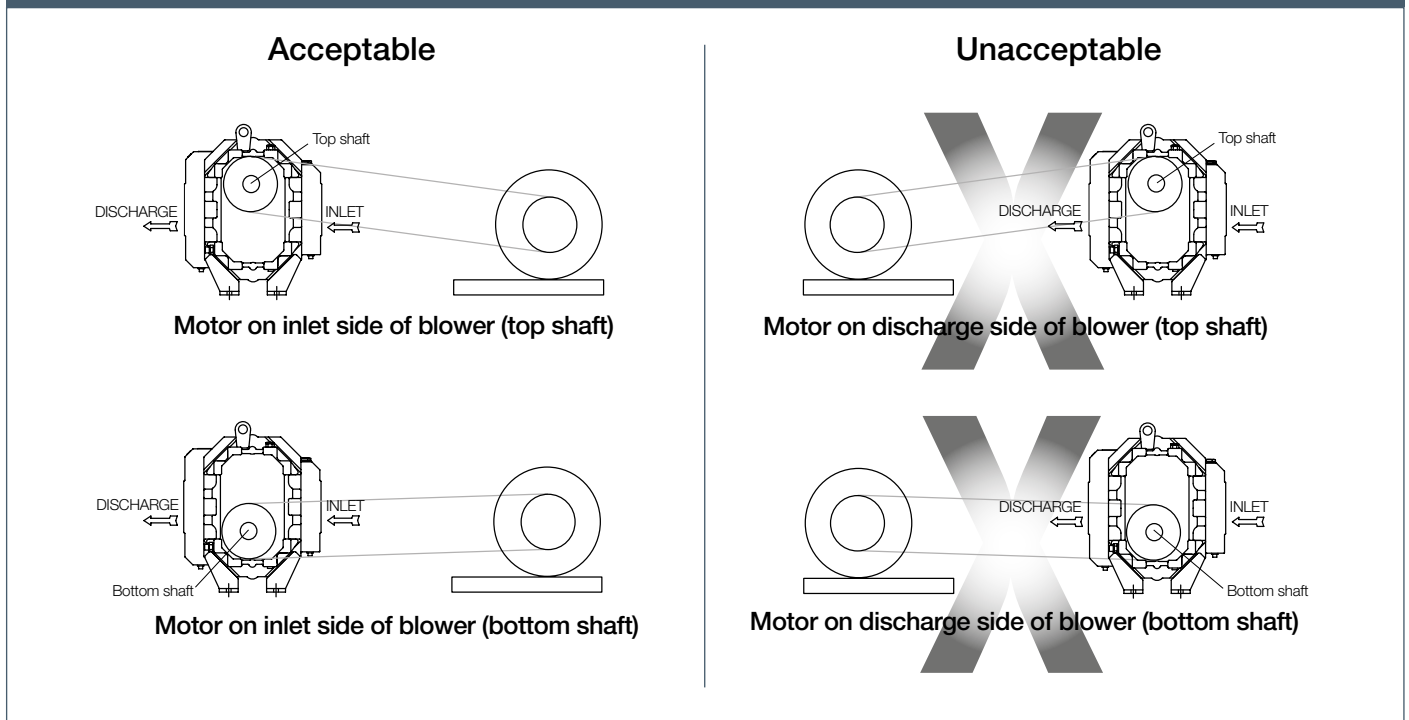
Discharge piping requires a pressure relief valve, and should include a manual unloading valve to permit starting the unit under no-load conditions. Reliable pressure/vacuum gauges and good thermometers at both inlet and discharge are recommended to allow making the important checks on unit operating conditions. The back-pressure regulator shown in Figure 3, page 10 is useful mainly when volume demands vary while the unit operates at constant output. If demand is constant, but somewhat lower than the unit output, excess may be blown off through the manual unloading valve.

**In multiple unit installations where two or more units operate with a common header, use of check valves is mandatory.** These should be of a direct acting or free swinging type, with one valve located in each line between the unit and header. Properly installed, they will protect against damage from reverse rotation caused by air and material back-flow through an idle unit.

After piping is completed, and before applying power, rotate the drive shaft by hand again. If it does not move with uniform freedom, look for uneven mounting, piping strain, excessive belt tension or coupling misalignment.

**Do not operate the unit at this time unless it has been lubricated per instructions.**

**Figure 1 – Acceptable blower drive arrangement options**



Above are suggested locations for available accessories.

# Lubrication

Due to sludge build-up and seal leakage problems, Roots recommendation is **do not use Mobil SCH synthetic oils in Roots blowers.**

## Lubrication: for units with splash lubrication on both ends.

The specified and recommended oil is Roots synthetic oil of correct viscosity per Table 2, page 12.

The proper oil level should be half way or middle of the sight gauge when the blower is not operating. **Do not overfill oil sump/s as damage to the blower may occur.**

Oil level may rise or fall in the gauge during operation to an extent depending somewhat on oil temperature and blower speed.

It is recommended that the oil be changed after initial 100 hours of operation.

Proper service intervals of the oil thereafter are based on the discharge air temperature of the blower. Please refer to the information below to properly determine the oil service intervals.

If you choose to use another oil other than the specified and recommended Roots synthetic, use a good grade of industrial type non-detergent, rust inhibiting, anti-foaming oil and of correct viscosity per Table 2, page 12.

Roots does **Not** recommend the use of automotive type lubricants, as they are not formulated with the properties mentioned above.

Normal life expectancy of the specified and recommended Roots synthetic oil is approximately 6000 hours with an oil temperature of 180°F (82°C) or less. As the oil temperature increases by increments of 15°F (8°C), the oil life is reduced by half for each 15°F (8°C) increase. Example: Oil temperatures of 195°F (90.5°C) will produce a life expectancy reduced by half or 3000 hours oil service life.

Normal life expectancy of petroleum based oils is about 2000 hours with an oil temperature of about 180°F (82°C). As the oil temperature increases by increments of 15°F (8°C), the life is reduced by half for each 15°F (8°C) increase. Example: Oil temperatures of 195°F (90.5°C) will produce life expectancy reduced by half or 1000 hours oil service life.

**Note:** To estimate oil temperature, multiply the discharge temperature of the blower by 0.88. Example: if the discharge air temperature of the blower is 200° F, it is estimated that the oil temperature is 176° F.

High ambient temperatures contribute to increased lubrication sump temperatures. In situations such as blowers in a enclosure, blowers exposed to radiant heat from other sources, blowers installed in areas with poor air circulation or ambient temperatures above 80°F the lubrication sump temperature should be measured rather than fully rely on the calculation.

Bearings and oil seals are lubricated by the action of the timing gears or oil slingers which dip into the main oil sumps causing oil to splash directly on gears and into bearings and seals. A drain port is provided below each bearing to prevent an excessive amount of oil in the bearings. Seals located inboard of the bearings in each headplate effectively retain oil within the sumps. Any small leakage that may occur should the seals wear passes into a cavity in each vented headplate and is drained downward. Oil sumps on each end of the blower are filled by removing top vent plugs, Item (21), and filling until oil reaches the middle of the oil level sight gauge, Item (37).

Initial filling of the sumps should be accomplished with the blower not operating, in order to obtain the correct oil level. Approximate oil quantities required for blowers of the various models and configurations are listed in Table 3, page 12.

The oil level should not fall below the middle of the site gauge when the blower is idle.

Proper lubrication is usually the most important single consideration in obtaining maximum service life and satisfactory operation from the unit. Unless operating conditions are severe, a weekly check of oil level and necessary addition of lubricant should be sufficient. During the first week of operation, check the oil levels in the oil sumps about once a day, and watch for leaks. Replenish as necessary. Thereafter, an occasional check should be sufficient.

More frequent oil service may be necessary if the blower is operated in a very dusty location.

\*Roots synthetic oil is superior in performance to petroleum based products. It has high oxidation stability, excellent corrosion protection, extremely high film strength and low coefficient of friction. Typical oil change intervals are increased 2-3 times over petroleum based lubricants. Also, Roots synthetic oil is 100% compatible with petroleum based oils. Simply drain the oil in the blower and refill the reservoirs with Roots synthetic oil to maintain optimum performance of your Roots blower.

# Operation

Before operating a blower under power for the first time, recheck the unit and the installation thoroughly to reduce the likelihood of avoidable troubles.

**Use the following procedure check list as a guide, but consider any other special conditions in the installation.**

Be certain that no bolts, tools, rags, or debris have been left in the blower air chamber or piping.

If an outdoor intake without filter is used, be sure the opening is located so it cannot pick up dirt and is protected by a strong screen or grille. Use of the temporary protective screen as described under **installation** is strongly recommended.

Recheck blower leveling, drive alignment and tightness of all mounting bolts if installation is not recent. If belt drive is used, adjust belt tension correctly.

Turn drive shaft by hand to make sure impellers still rotate without bumping or rubbing at any point.

Ensure oil levels in the main oil sumps are correct.

Check lubrication of driver. If it is an electric motor, be sure that power is available and that electrical overload devices are installed and workable.

Open the manual unloading valve in the discharge air line. If a valve is in the inlet piping, be sure it is open.

Bump blower a few revolutions with driver to check that direction of rotation agrees with arrow near blower shaft, and that both coast freely to a stop.

After the preceding points are cleared, blower is ready for trial operation under 'no-load' conditions.

**The following procedure is suggested to cover this initial operation test period.**

Start blower, let it accelerate to full speed, then shut off. Listen for knocking sounds, both with power on and as speed slows down.

After blower comes to a complete stop, repeat above, but let blower run 2 or 3 minutes. Check for noises, such as knocking sounds.

After blower comes to a complete stop, operate blower for about 10 minutes unloaded. Check oil levels. Observe cylinder and headplate surfaces for development of hot spots such as burned paint, indicating impeller rubs. Be aware of any noticeable increase in vibration.

Assuming that all trials have been satisfactory, or that necessary corrections have been made, the blower should now have a final check run of at least one hour under normal operating conditions. After blower is restarted, gradually close the discharge unloading valve to apply working pressure. At this point it is recommended that a pressure gauge or manometer be connected into the discharge line if not already provided, and that thermometers be in both inlet and discharge lines. Readings from these instruments will show whether pressure or temperature ratings of the blower are being exceeded.

During the final run, check operating conditions frequently and observe the oil levels at reasonable intervals. If excessive noise or local heating develops, shut down immediately and determine the cause. If either pressure rise or temperature rise across the blower exceeds the limit specified in this manual, shut down and investigate conditions in the piping system. Refer to the **Troubleshooting checklist** for suggestions on various problems that may appear.

The blower should now be ready for continuous duty operation at full load. During the first few days make periodic checks to determine whether all conditions remain steady, or at least acceptable. This may be particularly important if the blower is supplying air to a process system where conditions can vary. At the first opportunity, stop the blower and clean the temporary inlet protective screen. If no appreciable amount of debris has collected, the screen may be removed.

See comments under **Installation**. At this same time, verify leveling, coupling alignment or belt tension, and mounting bolt tightness.

Should operating experience prove that blower capacity is a little too high for the actual air requirements, a small excess may be blown off continuously through the manual unloading or vent valve. Never rely on the pressure relief valve as an automatic vent. Such use may cause the discharge pressure to become excessive, and can also result in failure of the valve itself. If blower capacity appears to be too low, refer to the **Troubleshooting checklist**.

**Vibration assessment criteria**

With measurements taken at the bearing locations on the housings, see chart below for an appropriate assessment guide for rotary lobe blowers rigidly mounted on stiff foundations.

In general, blower vibration levels should be monitored on a regular basis and the vibration trend observed for progressive or sudden change in level. If such a change occurs, the cause should be determined through spectral analysis.

As shown on the chart below, the level of all pass vibration will determine the need to measure discrete frequency vibration levels and the action required.

All pass vibration in/sec-pk (mm/sec-rms)	Discrete frequency vibration in/sec (mm/sec-rms)	Action
0.45 (8) or less	N/R	Acceptable
Greater than 0.45 (8) but 1.0 (18) or less	0.45 (8) or less @ any frequency	Acceptable
	Greater than 0.45 (8) @ any frequency	Investigate
Greater than 1.0 (18)	Less than 1.0 (18)	Investigate
	Greater than 1.0 (18)	Investigate



# Troubleshooting checklist

Trouble	Item	Possible Cause	Remedy
No flow	1	Speed too low	Check by tachometer and compare with published performance.
	2	Wrong rotation	Compare actual rotation with Figure 1, change driver if wrong.
	3	Obstruction in piping	Check piping, valves, silencer to assure open flow path.
Low capacity	4	Speed too low	See item 1, if belt drive, check for slippage and re-adjust tension.
	5	Excessive pressure rise	Check inlet vacuum and discharge pressure and compare with published performance.
	6	Obstruction in piping	See item 3.
	7	Excessive slip	Check inside of casing for worn or eroded surfaces causing excessive clearances
Excessive power	8	Speed too high	Check speed and compare with published performance.
	9	Excessive pressure rise	See item 5
	10	Impeller rubbing	Inspect outside of cylinder for high temperature areas, then check for impeller contact at these points. Correct blower mounting, drive alignment.
	11	Scale , sludge, rust or product build up	Clean blower appropriately
Damage to bearings or gears	12	Inadequate lubrication	Check oil sump levels in gear and drive end headplates
	13	Excessive lubrication	Check oil levels. If correct, drain and refill with clean oil of recommended grade.
	14	Excessive pressure rise	See item 5.
	15	Coupling misalignment	Check carefully. Re-align if questionable.
	16	Excessive belt tension	Re-adjust for correct tension.
Vibration	17	Misalignment	See item 15
	18	Impellers rubbing	See item 10
	19	Worn bearings/gears	Check gear backlash and conditions of bearings and replace as indicated.
	20	Unbalanced or rubbing impeller	Scale or process material may build up on casing and impellers, or inside impellers. Remove build-up to restore original clearances and impeller balance.
	21	Driver or blower loose	Tighten mounting bolts securely.
	22	Piping resonances	Determine whether standing wave pressure pulsations are present in the piping.
	23	Scale/sludge build-ups	Clean out interior of impeller lobes to restore dynamic balance.
	24	Casing strain	Re-work piping alignment to remove excess strain.
Driver stops, or will not start	25	Impeller stuck	Check for excessive hot spot on headplate or cylinder. See item 10. Look for defective shaft bearing and/or gear teeth.
	26	Scale, sludge, rust or product build-up	Clean blower appropriately
Excessive breather	27	Broken seal	Replace seals
Blow-by or excessive oil leakage to vent area	28	Defective O-ring	Replace seals and O-ring
Excessive oil leakage in vent area	29	Defective/plugged breather	Replace breather and monitor oil leakage
	30	Oil level too high	Check sump levels in gear and drive headplates
	31	Oil type or viscosity incorrect	Check oil to ensure it meets recommendations. Drain then fill with clean oil of recommended grade.
	32	Blower running hot	Recommended oil temperature can be found on page 6 of this manual. The blower must be operated within the conditions of this manual.

# Inspection & maintenance

A good program of consistent inspection and maintenance is the most reliable method of minimizing repairs to a blower. A simple record of services and dates will help keep this work on a regular schedule.

## Basic service needs are:

---

### Lubrication

---

### Checking for hot spots

---

### Checking for increases or changes in vibration and noise

---

### Recording of operating pressures and temperatures

---

Above all, a blower must be operated within its specified rating limits, to obtain satisfactory service life.

A newly installed blower should be checked often during the first month of full-time operation. Attention there after may be less frequent assuming satisfactory performance. Lubrication is normally the most important consideration and weekly checks of lubricant levels in the gearbox and bearing reservoirs should be customary. Complete oil change schedules are discussed under **Lubrication**.

Driver lubrication practices should be in accordance with the manufacturer's instructions. If direct connected to the blower through a lubricated type coupling, the coupling should be checked and greased each time blower oil is changed. This will help reduce wear and prevent unnecessary vibration. In a belted drive system, check belt tension periodically and inspect for frayed or cracked belts.

In a new, and properly installed, unit there is no contact between the two impellers, or between the impellers and cylinder or headplates. Wear is confined to the bearings (which support and locate the shafts) the oil seals, and the timing gears. All are lubricated and wear should be minimal if clean oil of the correct grade is always used. Seals are subject to deterioration and wear, and may require replacement at varying periods.

Piston ring seals (28) are designed to operate without rubbing contact, once temperature and thermal growth have stabilized. The stationary rings will rub the rotating sleeve (38) briefly as a result of temperature cycles that occur during the startup and shutdown of the unit. The sleeves are hardened and the rings are coated with dry lubricant that provides for temporary break in wear. Replace piston ring seals if they become excessively worn.

Shaft bearings are designed for optimum life under average conditions with proper lubrication and are critical to the service life of the blower. Gradual bearing wear may allow a shaft position to change slightly, until rubbing develops between impeller and casing. This will cause spot heating, which can be detected by observing these surfaces. Sudden bearing failure is usually more serious. Since the shaft and impeller are no longer supported and properly located, extensive general damage to the blower casing and gears is likely to occur.

Oil seals should be considered expendable items, to be replaced whenever drainage from the headplate vent cavity becomes excessive or when the blower is disassembled for any reason. Some oil seal leakage may occur since an oil film under the lip is required for proper operation. Periodically leaked oil should be wiped off from surfaces. Minor seal weepage should not be considered as indicating seal replacement.

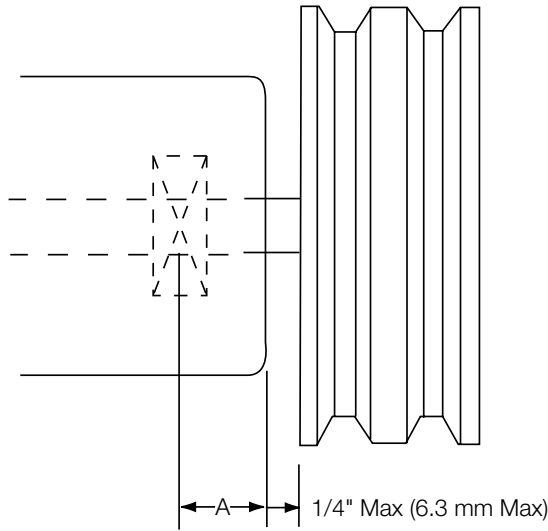
Timing gear wear, when correct lubrication is maintained, should be negligible. Gear teeth are cut to provide the correct amount of backlash, and gears correctly mounted on the shafts will accommodate a normal amount of tooth wear without permitting contact between lobes of the two impellers. However, too high an oil level will cause churning and excessive heating. This is indicated by unusually high temperature at the bottom of the gear housing. Consequent heating of the gears will result in loss of tooth-clearance, backlash and rapid wear of the gear teeth usually will develop. Continuation of this tooth wear will eventually produce impeller contacts (knocking), and from this point serious damage will be unavoidable if blower operation is continued. A similar situation can be produced suddenly by gear tooth fracture, which is usually brought on by sustained overloading or momentary shock loads.

Problems may also develop from causes other than internal parts failure. Operating clearances within a blower are only a few thousandths of an inch. This makes it possible for impeller interferences or casing rubs to result from shifts in the blower mounting, or from changes in piping support. If this type of trouble is experienced, and the blower is found to be clean, try removing mounting strains. Loosen blower mounting bolts and reset the leveling and drive alignment. Then tighten mounting again, and make sure that all piping meets blower connections accurately and squarely. Foreign materials sucked into the blower will also cause trouble, which can only be cured by disconnecting the piping and thoroughly cleaning the blower interior.

A wide range of causes & solutions for operating troubles are covered in the **Troubleshooting checklist**. The remedies suggested should be performed by qualified mechanics with a good background. Major repairs generally are to be considered beyond the scope of maintenance, and should be referred to your authorized Roots distributor.

Warranty failures should not be repaired at all, unless specific approval has been obtained through a Roots sales office or the factory before starting work. Unauthorized disassembly within the warranty period may void the warranty.

**Allowable overhung loads for V-belt drives  
Roots universal RAI/URAI-J units**



Model	Dimension A Inch (mm)	Max allowable shaft load lb•in (kg•mm)	Min sheave diameter Inch (mm)	Max sheave width Inch (mm)
409 413 416	1.90 (48.3)	5,100 (58.9)	7.1 (180)	3.06 (78)
617 621	2.11 (53.6)	10,000 (115)	8.5 (215)	4.44 (112)
722 728	2.44 (62)	13,000 (150)	11.80 (300)	4.43 (112)
826 832	3.03 (77)	21,000 (242)	13.2 (335)	7.19 (183)

**Note:** Arc of sheave belt contact on the smaller sheave not to be less than 170°. Driver to be installed on the inlet side for vertical units, and on the drive shaft side for horizontal units. Roots recommends the use of two or more 3VX, 5VX or 8VX matched or banded belts and sheaves.

$$\text{*Belt pull in lbs} = \frac{27500 \cdot \text{Motor BHP}}{\text{Blower RPM} \cdot \text{Sheave diameter in inches}}$$

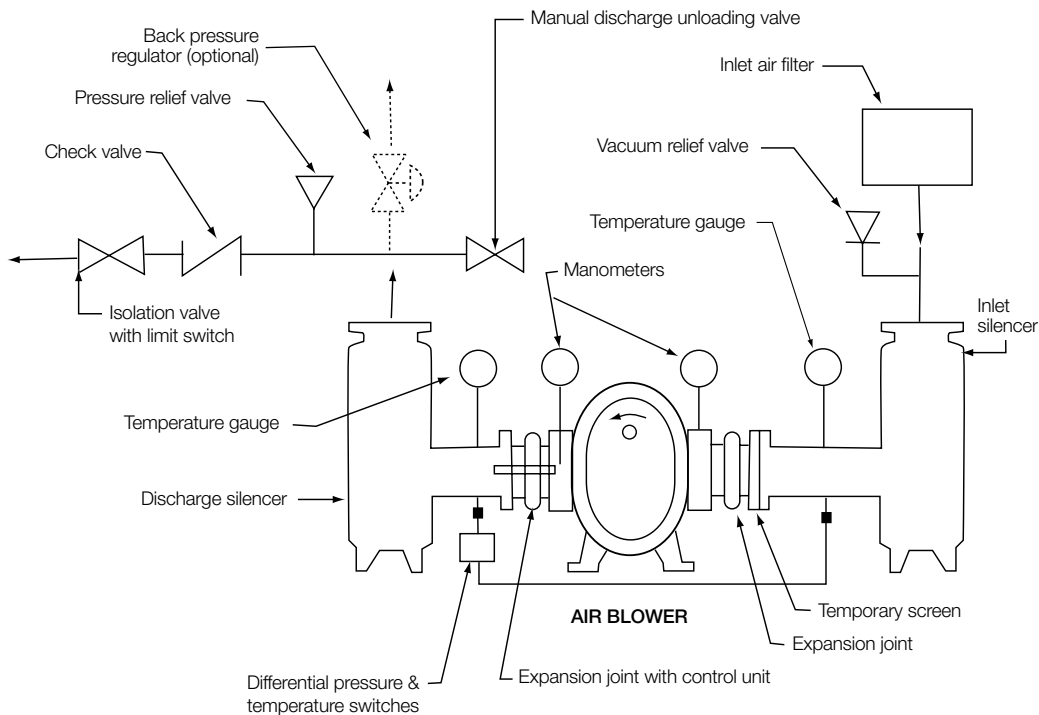
$$\text{Shaft load (lb}\cdot\text{in)} = \text{Belt Pull (lbs)} \cdot \left( A + \frac{1}{4} + \frac{\text{Sheave Width (")}}{2} \right)$$

$$\text{*Belt pull in kg} = \frac{4,255,000 \cdot \text{Motor KW}}{\text{Blower RPM} \cdot \text{Sheave diameter in mm}}$$

$$\text{Shaft load (kg}\cdot\text{mm)} = \frac{\text{Belt pull (kg)} \cdot \left( A_{\text{mm}} + 6.3\text{mm} + \frac{\text{Sheave Width (mm)}}{2} \right)}{1000}$$

\*Based on SF = 1.4 for v-belt drives. If higher SF belt is used, belt load should be increased proportionally and may exceed limits of the blower.

**Figure 3 - Air blower installation with accessories**

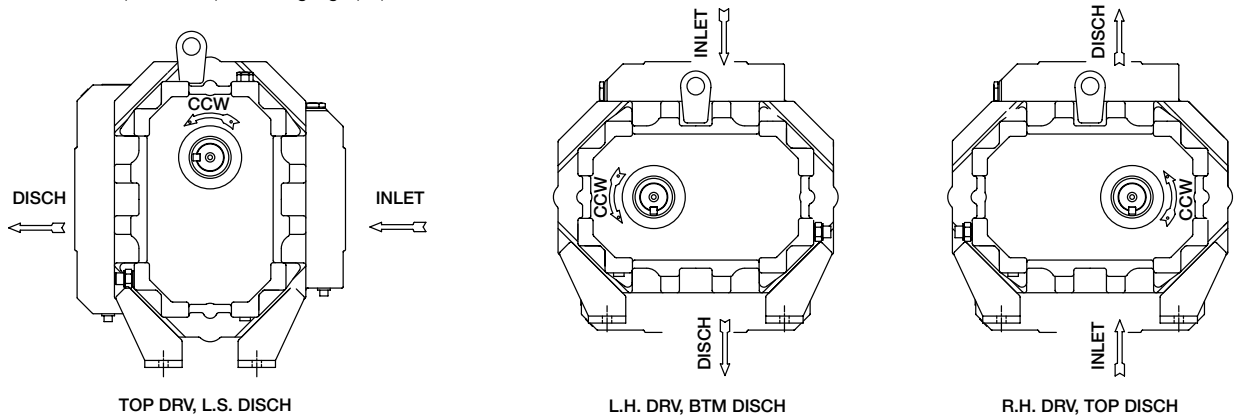


Above are suggested locations for available accessories.

**Figure 4 – Gas blower installations with accessories**

1. Standard arrangement (3-way universal)

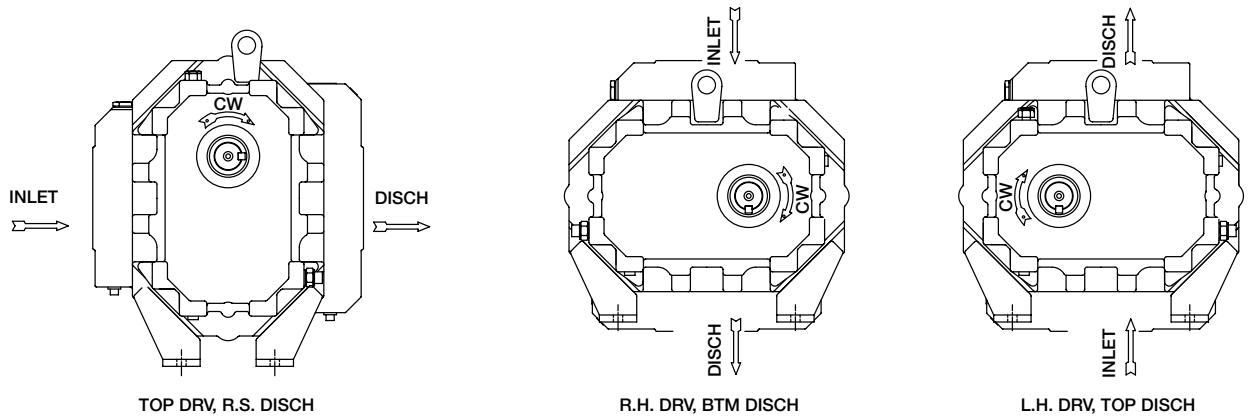
External sight glasses (37) and breathers (21) must be relocated as shown.  
Feet (76 and 77) and lifting lugs (63) must be relocated as shown.



2. Non-standard arrangement (3-way universal)

Cylinder (11) **Must be unbolted from headplates (1) and discharge relocated as shown. Must have authorization for conversion so not to void warranty.**

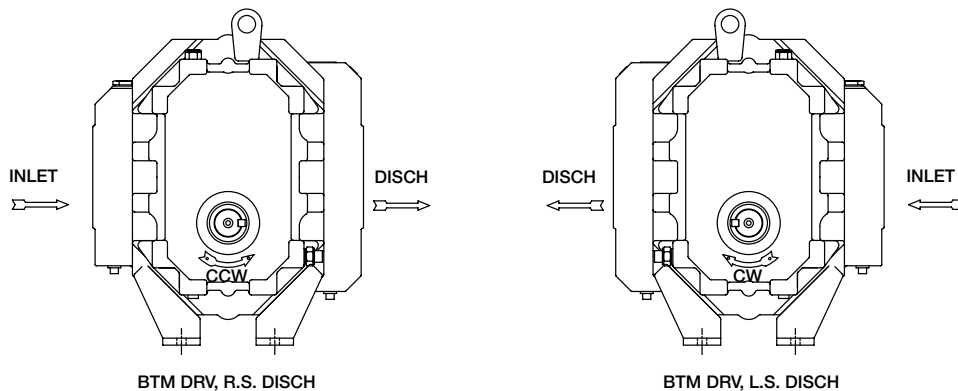
External sight glasses (37) and breathers (21) must be relocated also.  
Feet (76 and 77) and lifting lugs (63) must be relocated as shown.



3. Bottom drive shaft arrangement 'special order' (3-way universal)

**Special OGE oil slinger required for assembly.**

May be converted to horizontal configuration as previously shown.



**Table 1 – Tri-RAM maximum allowable operating conditions**

Model	Speed RPM	Temperature rise		Delta pressure		Inlet vacuum	
		F°	C°	PSI	mbar	INHG	mbar
409	4750	240	133	15	1034	16	539
413	4750	240	133	15	1034	16	539
416	4400	240	133	12	827	16	539
617	3560	230	128	15	1034	16	539
621	3560	230	128	12	827	16	539
722	3050	230	128	15	1034	16	539
728	3050	230	128	12	827	16	539
826	2670	230	128	15	1034	16	539
832	2670	230	128	12	827	16	539

**Table 2 - Recommended oil grades**

Ambient* Temperature °F (°C)	ISO Viscosity No.
Above 90° (32°)	320
32° to 90° (0° to 32°)	220
0° to 32° (-18° to 0°)	150
Below 0° (-18°)	100

Use a good grade of **industrial type** non-detergent, rust inhibiting, anti-foaming oil and of correct viscosity per Table 2. Roots synthetic oil (Roots P/N 813-106-) is **specified and recommended**. Roots does not recommend automotive type lubricants, as they are not formulated with the properties mentioned above.

Due to sludge build-up and seal leakage problems, Roots recommendation is **do not use Mobil SHC synthetic lubricants in Roots blowers**.

\*Ambient temperature is defined as the temperature of the space in which the blower and drive are located.

**Table 3 - Tri-RAM approximate oil sump capacities**

Model number/ Drive shaft location	Gearbox		Drive end	
	Fluid ounces	Litres	Fluid ounces	Litres
409, 413, 416 (left or right)	36	1.06	19	0.56
409, 413, 416 (top or bottom)	18	0.52	9	0.27
617, 621 (left or right)	95	2.81	50	1.48
614, 621 (top or bottom)	55	1.63	28	0.83
722, 728 (left or right)	155	4.59	70	2.07
722, 728 (top or bottom)	80	2.37	40	1.18
826, 832 (left or right)	256	7.6	120	3.5
826, 832 (top or bottom)	144	4.3	80	2.37

These capacities are provided to assist stocking the correct amount of oil. Exact sump capacity may differ slightly. See **Lubrication** section for proper filling instructions.

## Specified lubricants

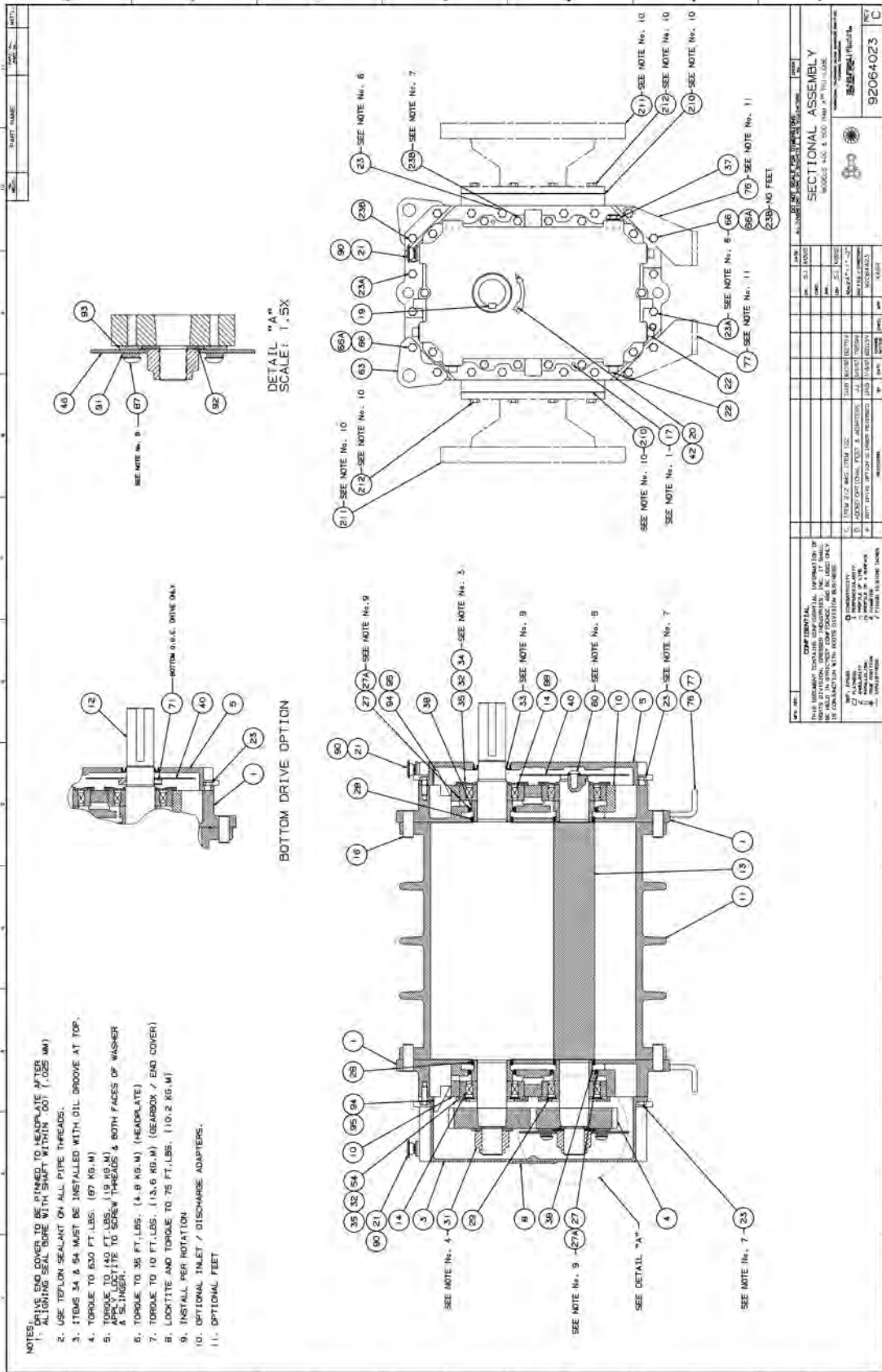
Roots synthetic oil: ISO-VG-320 Grade	
	Part number
Quart	813-106-004
Gallon	813-106-005
Case (12 qts)	813-106-007
Roots synthetic oil: ISO-VG-220 Grade	
	Part number
Quart	813-106-001
Gallon	813-106-002
Case (12 qts)	813-106-008

## Tri-RAM blowers parts list – Models 409 through 621

Item number	Part name	Quantity
1	Headplate	2
3	Gearbox	1
4	Timing gears	2
5	End cover	1
7	Gasket – gearbox/cover	2
10	Shims	Lot
11	Cylinder	1
12	Impeller & shaft drive	1
13	Impeller & shaft driven	1
14	Bearing roller	4
16	Pin, dowel (pull out)	4
17	Pin, dowel	2
19	Key square	1
21	Breather	2
22	Plug, pipe	12
23	Screw, cap hex HD.	*
27/27A	Seal, hydrodynamic	4
28	Piston, ring-seal	4
29	Washer, wavy spring	2
31	Gear nut	2
32	Scr, cap hex HD.	16
33	Seal, hydrodynamic	1
34	Brg. Clamp plate – D.E.	2
35	Lock washer – spring	16
37	Sight plug – oil level	2
38	Sleeve, shaft	4
40	Slinger – D.E. (Top drive)	1
46	Slinger – G.E.	1
49	Oil leader L/S	1
50	Oil, leader – R/S	1
54	Brg clamp plate - G.E.	2
60	Screw, cap butt. HD.	1
64	Pin, spring	1
66	Screw, cap hex HD.	*
66A/66b	Whispair, spring lock 3/8m	*
70	Shims D.E. Brg.	1
75	Screw, cap – hex HD.	*
76	Blower foot – RH (optional)	2
77	Blower foot – LH (optional)	2
85	Elb, pipe-black	2
85.1	Plug, pipe	2
87	Scr, cap BH	2
88	Anti rotation ball	4
90	BSHG-RDCG	2
91	Washer, plain flat	2
92	Washer, plain flat	2
93	Washer	2
94	Oil leader	2
95	Cap screw	4
210	Inlet/discharge gasket	2

\*Quantity varies by blower.







## Specified lubricants

Roots synthetic oil: ISO-VG-320 Grade	
	Part number
Quart	13106004
Gallon	13106005
Case (12 qts)	13106007

Roots synthetic oil: ISO-VG-220 Grade	
	Part number
Quart	13106001
Gallon	13106002
Case (12 qts)	13106008

Roots synthetic oil: ISO-VG-150 Grade	
	Part number
Quart	13106020
Gallon	13106021
Case (12 qts)	13106023
5 Gallon Pail	13106022
55 Gallon Drum	13106025

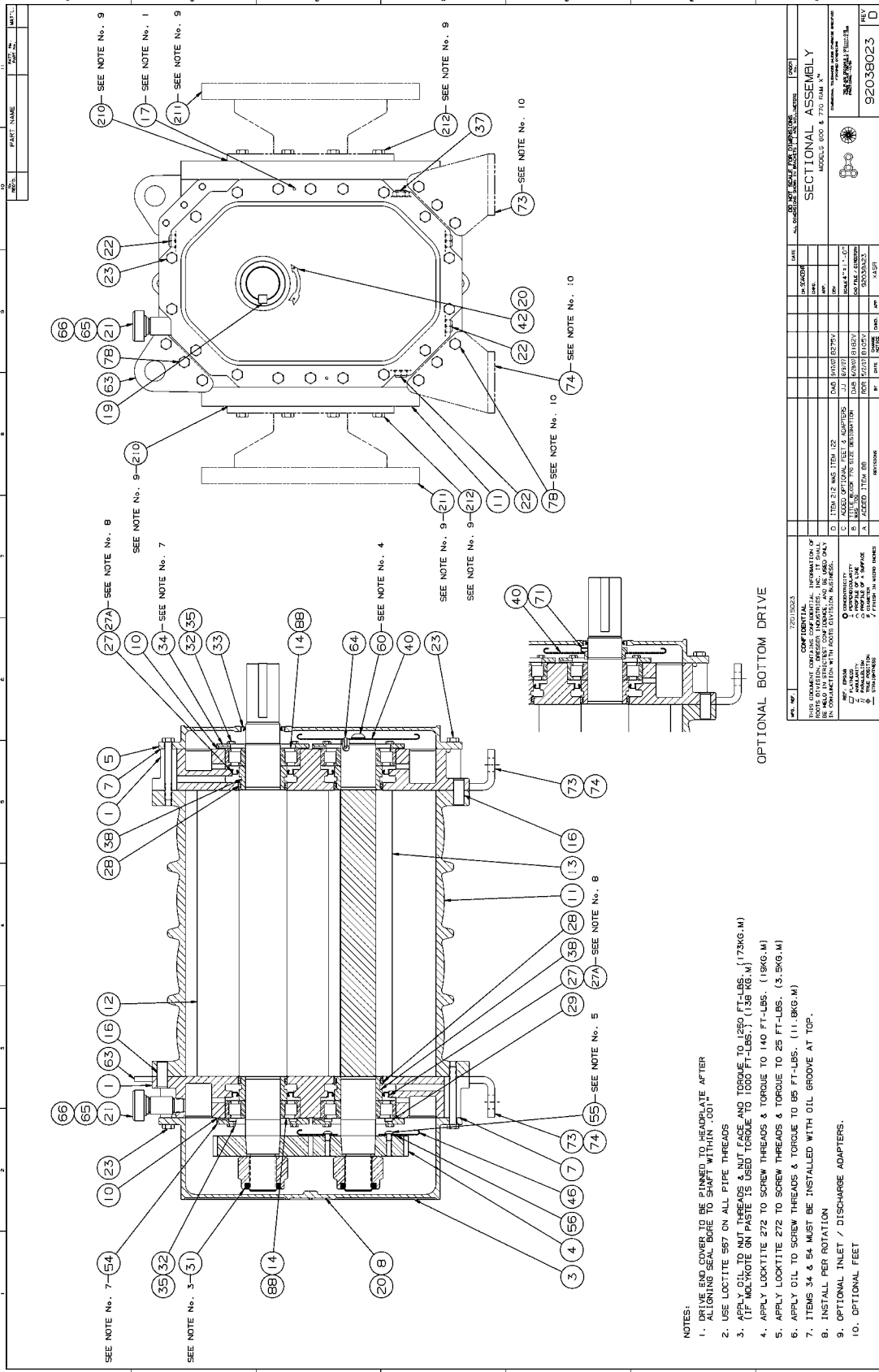
Roots synthetic oil: ISO-VG-100 Grade	
	Part number
Quart	13106011
Gallon	13106012
Case (12 qts)	13106014
5 Gallon Pail	13106013
55 Gallon Drum	13106016

## Tri-RAM blowers parts list – Models 722 and 728

Item number	Part name	Quantity
1	Headplate	2
3	Gearbox	1
4	Timing gears	2
5	End cover	1
7	Gasket – gearbox/cover	2
10	Shims	Lot
11	Cylinder	1
12	Impeller & shaft drive	1
13	Impeller & shaft driven	1
14	Bearing roller	4
16	Pin, dowel (pull out)	4
17	Pin, dowel	2
19	Key square	1
21	Breather	2
22	Plug, pipe	12
23	Screw, cap hex HD.	*
27/27A	Seal, hydrodynamic	4
28	Piston, ring-seal	4
29	Washer, wavy spring	2
31	Gear nut	2
32	Scr, cap hex HD.	16
33	Seal, hydrodynamic	1
34	Brg. clamp plate – D.E.	2
35	Lock washer – spring	16
37	Sight plug – oil level	2
38	Sleeve, shaft	4
40	Slinger – D.E. (top drive)	1
46	Slinger – G.E.	1
54	Brg clamp plate – G.E.	2
55	Screw, cap butt. HD.	2
56	Washer, plain	2
60	Screw, cap butt. HD.	1
64	Pin, spring	1
65	Coupling pipe	2
66	Close nipple	2
73	Blower foot – RH (optional)	2
74	Blower foot – LH (optional)	2
78	Capscrews	6
88	Anti rotation ball	4
210	Inlet/discharge gasket	2
85.1	Plug, pipe	2
87	Scr, cap BH	2
88	Anti rotation ball	4
90	BSHG-RDCG	2
91	Washer, plain flat	2
92	Washer, plain flat	2
93	Washer	2
94	Oil leader	2
95	Cap screw	4
210	Inlet/discharge gasket	2

\*Quantity varies by blower.

# Assembly of Tri-RAM Tri-Lobe blowers models 722 and 728



10	REV.	DATE	BY	CHKD.	APPROVED
11	REV.	DATE	BY	CHKD.	APPROVED

12	REV.	DATE	BY	CHKD.	APPROVED
13	REV.	DATE	BY	CHKD.	APPROVED

14	REV.	DATE	BY	CHKD.	APPROVED
15	REV.	DATE	BY	CHKD.	APPROVED

16	REV.	DATE	BY	CHKD.	APPROVED
17	REV.	DATE	BY	CHKD.	APPROVED

18	REV.	DATE	BY	CHKD.	APPROVED
19	REV.	DATE	BY	CHKD.	APPROVED

20	REV.	DATE	BY	CHKD.	APPROVED
21	REV.	DATE	BY	CHKD.	APPROVED

22	REV.	DATE	BY	CHKD.	APPROVED
23	REV.	DATE	BY	CHKD.	APPROVED

- NOTES:**
1. DRIVE END COVER TO BE FINISHED TO INCORPORATE AFTER ALIGNING SEAL BORE TO SHAFT WITHIN .001"
  2. USE LOCTITE 567 ON ALL PIPE THREADS
  3. APPLY OIL TO NUT THREADS & NUT FACE AND TORQUE TO 1350 FT.-LBS. (173KG.M)
  4. APPLY OIL TO NUT THREADS & TORQUE TO 140 FT.-LBS. (19KG.M)
  5. APPLY OIL TO SCREW THREADS & TORQUE TO 25 FT.-LBS. (3.5KG.M)
  6. APPLY OIL TO SCREW THREADS & TORQUE TO 85 FT.-LBS. (11.8KG.M)
  7. ITEMS 34 & 54 MUST BE INSTALLED WITH OIL GROOVE AT TOP.
  8. INSTALL PER ROTATION
  9. OPTIONAL INLET / DISCHARGE ADAPTERS.
  10. OPTIONAL FEET

**OPTIONAL BOTTOM DRIVE**

DATE	REV.	DATE	BY	CHKD.	APPROVED
DATE	REV.	DATE	BY	CHKD.	APPROVED

SECTIONAL ASSEMBLY

MODEL 600 & 770 (REV. 2)

92038023

## Specified lubricants

Roots synthetic oil: ISO-VG-320 Grade	
	Part number
Quart	13106004
Gallon	13106005
Case (12 qts)	13106007

Roots synthetic oil: ISO-VG-220 Grade	
	Part number
Quart	13106001
Gallon	13106002
Case (12 qts)	13106008

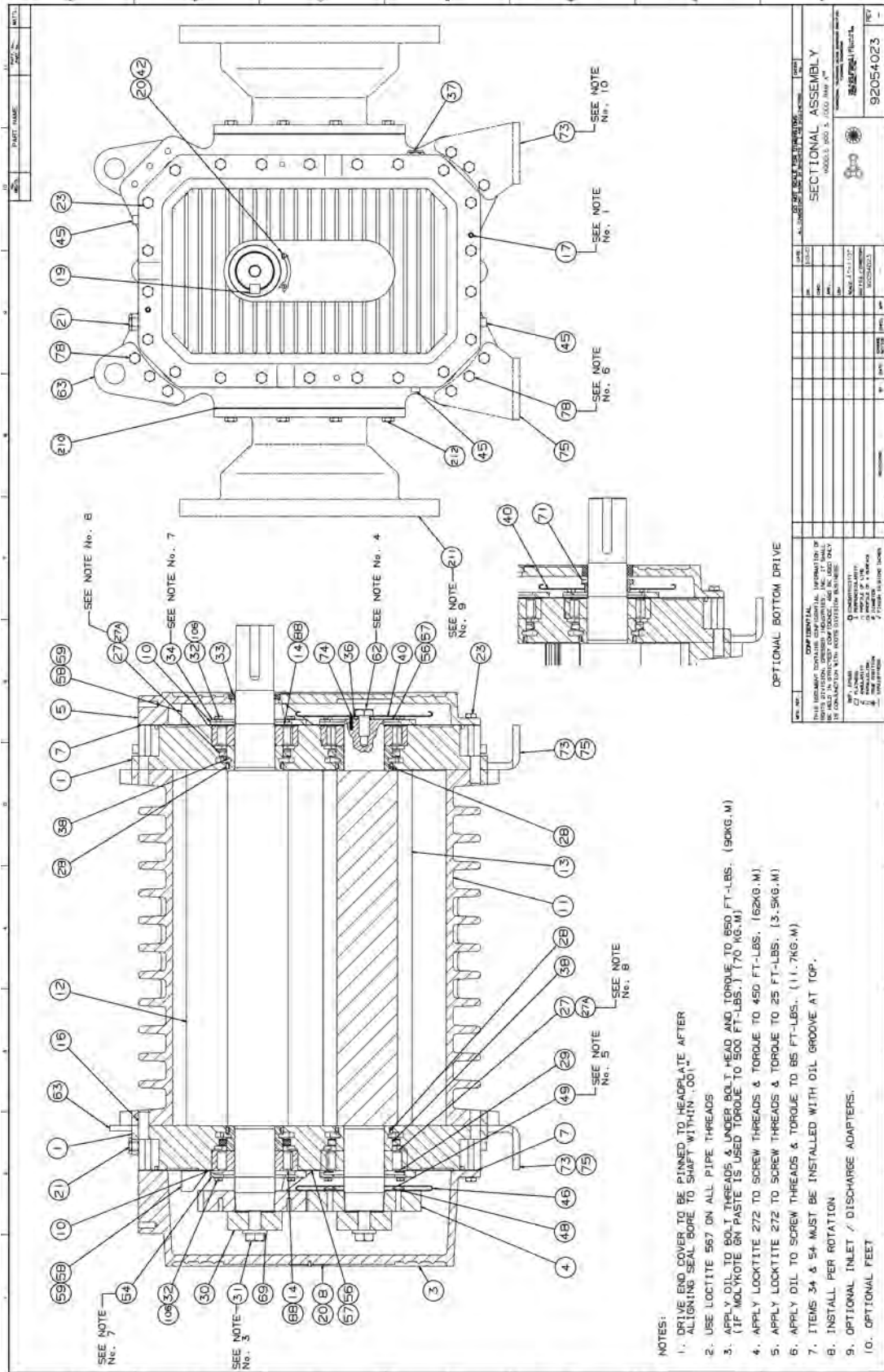
Roots synthetic oil: ISO-VG-150 Grade	
	Part number
Quart	13106020
Gallon	13106021
Case (12 qts)	13106023
5 Gallon Pail	13106022
55 Gallon Drum	13106025

Roots synthetic oil: ISO-VG-100 Grade	
	Part number
Quart	13106011
Gallon	13106012
Case (12 qts)	13106014
5 Gallon Pail	13106013
55 Gallon Drum	13106016

## Tri-RAM blowers parts list – Models 826 and 832

Item number	Part name	Quantity
1	Headplate	2
3	Gearbox	1
4	Timing gears	2
5	End cover	1
7	Gasket – gearbox/cover	2
10	Shims	Lot
11	Cylinder	1
12	Impeller & shaft drive	1
13	Impeller & shaft driven	1
14	Bearing roller	4
16	Pin, dowel (pull out)	4
17	Pin, dowel	2
19	Key square	1
21	Breather	2
22	Plug, pipe	12
23	Screw, cap hex HD.	*
27/27A	Seal, hydrodynamic	4
28	Piston, ring-seal	4
29	Washer, wavy spring	2
31	Gear nut	2
32	Scr, cap hex HD.	16
33	Seal, hydrodynamic	1
34	Brg. clamp plate – D.E.	2
35	Lock washer – spring	16
37	Sight plug – oil level	2
38	Sleeve, shaft	4
40	Slinger – D.E. (top drive)	1
46	Slinger – G.E.	1
54	Brg clamp plate – G.E.	2
55	Screw, cap butt. HD.	2
56	Washer, plain	2
60	Screw, cap butt. HD.	1
64	Pin, spring	1
65	Coupling pipe	2
66	Close nipple	2
73	Blower foot – RH (optional)	2
74	Blower foot – LH (optional)	2
78	Capscrews	6
88	Anti rotation ball	4
210	Inlet/discharge gasket	2
85.1	Plug, pipe	2
87	Scr, cap BH	2
88	Anti rotation ball	4
90	BSHG-RDCG	2
91	Washer, plain flat	2
92	Washer, plain flat	2
93	Washer	2
94	Oil leader	2
95	Cap screw	4
210	Inlet/discharge gasket	2

\*Quantity varies by blower.



NOTES:

1. DRIVE END COVER TO BE PRIMERED TO HEADPLATE AFTER ALIGNING SEAL BORE TO SHAFT WITHIN .001".
2. USE LOCTITE 567 ON ALL PIPE THREADS
3. APPLY OIL TO BOLT THREADS & UNDER BOLT HEAD AND TORQUE TO 850 FT.-LBS. (90KG.M) (IF MOLYKOTE GN PASTE IS USED TORQUE TO 500 FT.-LBS.) (70 KG.M)
4. APPLY LOCKTITE 272 TO SCREW THREADS & TORQUE TO 450 FT.-LBS. (62KG.M)
5. APPLY LOCKTITE 272 TO SCREW THREADS & TORQUE TO 25 FT.-LBS. (3.5KG.M)
6. APPLY OIL TO SCREW THREADS & TORQUE TO 85 FT.-LBS. (11.7KG.M)
7. ITEMS 34 & 54 MUST BE INSTALLED WITH OIL GROOVE AT TOP.  
B. INSTALL PER ROTATION
9. OPTIONAL INLET / DISCHARGE ADAPTERS.
10. OPTIONAL FEET

1/10/07/REV 0008 00

# Notes



900 W. Mount St. Connersville



BLOWERS. ACCESSORIES. PARTS. DESIGN. FABRICATION. SERVICE.

1-800-536-9933 | [customerservice@pdblowers.com](mailto:customerservice@pdblowers.com)

Find us online at [PDBLOWERS.COM](http://PDBLOWERS.COM)