



EurusBlower

MB Series

**Bi-lobe Positive
Displacement Blower &
Vacuum Pumps**



www.eurusblower.com

Shandong Zhangqiu Blower Co., Ltd.

est. 1968

est. 2008



EurusBlower

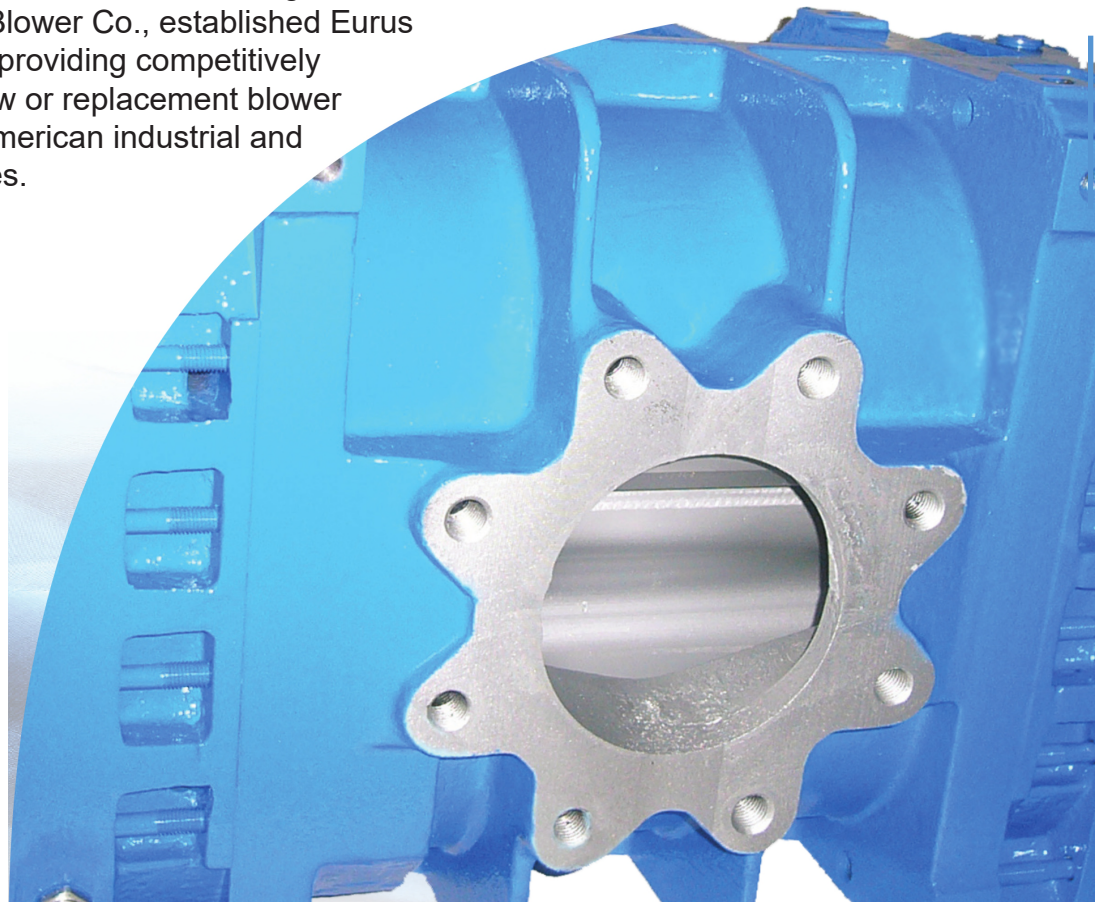
SHANGHAI ZHANGQIU BLOWER CO., LTD.

Over 50 Years Experience

Shandong Zhangqiu Blower Co., Ltd. was founded in 1968 on the principles of providing quality, value and dependability. After 30 years of establishing a solid foundation in China, they began to export their blowers in the late 1990's. The company quickly became known as a leader in blower technology across international markets.

In 2008, with over 40 years of PD blower manufacturing experience, Shandong Zhangqiu Blower Co., established Eurus Blower in the U.S. with a vision of providing competitively priced, high quality blowers for new or replacement blower applications to North and South American industrial and wastewater treatment marketplaces.

- **Quality**
- **Value**
- **Dependability**



Eurus Blower: Built For Long Life

- Heavy duty, oversized bearings designed for longer L10 life in industrial applications.

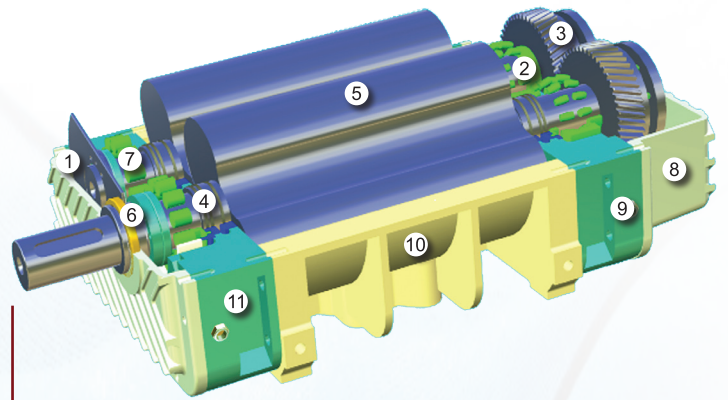
- Dual-splash aluminum tank design ensures gear and bearing longevity.

- One piece integrated ductile iron rotors and shafts, large shaft diameters, one piece high strength housing, and one piece end plates reduce torsion and vibration.

- Housings are designed for horizontal or vertical mounting configurations.

- Multi-piston ring air and oil seals minimize maintenance costs and ensure delivery without oil and air cross contamination.

- A viton lip seal on a wearable shaft sleeve with o-rings prevents oil from leaking and extends the life of the shaft.



1. Taper-lock Shaft Mounting



2. Oversized Bearings



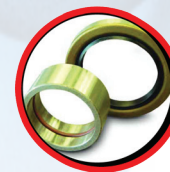
3. Precision Helical Timing Gears



4. Multi-piston Ring Oil/Air Seals



5. Ductile Iron Rotor



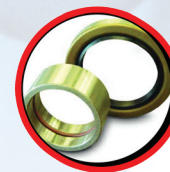
6. Viton Oil Seals on Wearable Shaft Sleeves



7. Roller Drive Bearing



8. Aluminum Oil Covers



9. Oil Sight Glasses



10. Cast Iron Housing

11. High Strength End Plate

Pressure Performance

Model	SPEED	Theoretical Capacity CFM	4PSIG		6PSIG		8PSIG		10PSIG		12PSIG		15PSIG	
	RPM		CFM	BHP	CFM	BHP	CFM	BHP	CFM	BHP	CFM	BHP	CFM	BHP
MB 3004	1450	67	34	1.4	27	2.1								
	3000	138	107	3.5	101	4.9	96	5.9	92	7.3	88	8.4		
	4000	184	155	4.7	149	6.5	144	7.9	140	9.6	136	11.3	133	13.7
	5000	230	202	5.8	197	8.0	192	9.8	188	12.0	184	14.2	181	17.1
MB 3006	1450	99	57	1.8	49	3.0	43	4.0						
	3000	204	162	5.1	154	7.2	148	8.7	144	10.6	138	12.4		
	4000	272	231	6.8	224	9.5	218	11.5	213	13.9	208	16.3		
	5000	340	300	8.4	293	11.6	287	14.2	283	17.5	278	20.5		
MB 3007	1450	113	70	2.8	61	4.1	55	4.8						
	3000	234	190	6.0	181	8.3	175	10.0	171	12.3				
	4000	312	268	7.8	262	11.0	256	13.3	251	16.1				
	5000	390	350	9.8	342	13.4	337	16.5	332	20.2				
MB 4504	1150	121	85	1.8	76	3.4	68	4.5	62	5.5				
	2000	210	173	3.9	164	5.6	157	7.5	150	9.4	144	11.3	135	14.0
	3000	315	279	6.3	270	8.6	263	11.5	256	14.4	250	17.2	240	21.4
	4000	420	385	9.1	376	11.8	369	15.7	362	19.7	356	23.6	345	29.2
MB 4506	1150	182	125	3.2	112	4.8	101	6.4	92	8.0				
	2000	316	259	5.7	246	8.4	236	11.1	226	13.9	217	16.7	206	20.9
	3000	474	417	9.0	404	12.7	394	16.9	384	21.2	375	25.4	364	31.8
	4000	632	575	12.7	562	17.2	552	23.0	542	28.7	533	34.5	522	43.1
MB 4509	1150	271	189	4.8	170	7.1	155	9.5	141	11.9				
	2000	472	389	8.3	371	12.5	355	16.6	341	20.8	329	24.9	312	31.2
	3000	708	625	12.6	607	18.9	591	25.2	577	31.5	565	37.8	548	47.2
	4000	944	861	17.0	843	25.6	827	34.1	813	42.6	801	51.1	784	63.9
MB 4512	1150	362	255	6.3	231	9.5	211	12.7	193	15.9				
	2000	630	523	11.1	499	16.6	479	22.2	461	27.7	444	33.3	423	41.6
	3000	945	838	16.8	814	25.2	794	33.6	776	42.0	759	50.4	738	63.0
	4000	1260	1153	22.7	1129	34.1	1109	45.5	1091	56.8	1074	68.2	1053	85.2
MB 4518	1150	544	388	9.5	353	14.3	323	19.0	297	23.8	274	28.6		
	2000	946	790	16.6	755	25.0	725	33.3	699	41.6	676	49.9		
	3000	1419	1263	25.2	1228	37.8	1198	50.4	1172	63.0	1149	75.5		
	4000	1892	1736	34.0	1701	51.0	1671	68.0	1645	85.0	1622	102.0		
MB 6010	1150	574	429	10.1	397	15.1	369	20.1	345	25.1	323	30.2		
	1750	873	729	15.4	696	23.1	669	30.8	644	38.4	623	46.1	593	57.7
	2300	1148	1003	20.3	970	30.5	943	40.7	919	50.8	897	61.0	867	76.3
	3000	1497	1352	26.8	1320	40.2	1292	53.6	1268	67.0	1246	80.4	1217	100.5
MB 6016	1150	873	691	15.3	650	22.9	615	30.6	585	38.2	557	45.9		
	1750	1328	1146	23.4	1105	35.1	1071	46.8	1040	58.5	1013	70.2	975	87.8
	2300	1746	1564	31.0	1523	46.4	1488	61.9	1458	77.4	1430	92.9	1393	116.1
	3000	2277	2095	40.8	2054	61.2	2019	81.7	1989	102.1	1961	122.5	1924	153.1
MB 6024	1150	1310	1082	22.9	1031	34.4	988	45.9	950	57.3	915	68.8		
	1750	1993	1765	35.1	1714	52.6	1671	70.1	1633	87.7	1599	105.2		
	2300	2620	2392	46.3	2341	69.5	2298	92.7	2260	115.8	2225	139.0		
	3000	3417	3189	61.0	3138	91.5	3095	122.0	3057	152.5	3022	183.0		
MB 8020	970	1917	1542	34.9	1458	51.6	1387	68.3	1325	85.0	1269	101.8	1217	118.5
	1450	2867	2489	56.4	2406	81.4	2335	106.4	2273	131.4	2216	156.3	2164	181.3
	1750	3460	3082	68.4	2998	98.5	2927	128.7	2865	158.8	2808	189.0	2757	219.1
	2050	4054	3674	86.3	3590	121.7	3519	157.0	3457	192.3	3401	227.6	3349	263.0
MB 8026	970	2440	2030	44.8	1937	66.1	1859	87.4	1790	108.7				
	1450	3648	3189	73.1	3086	105.0	2999	136.8	2922	168.7				
	1750	4403	3945	93.1	3841	131.6	3754	170.0	3677	208.5				
	2050	5155	4613	118.1	4490	163.1	4387	208.2	4296	253.2				

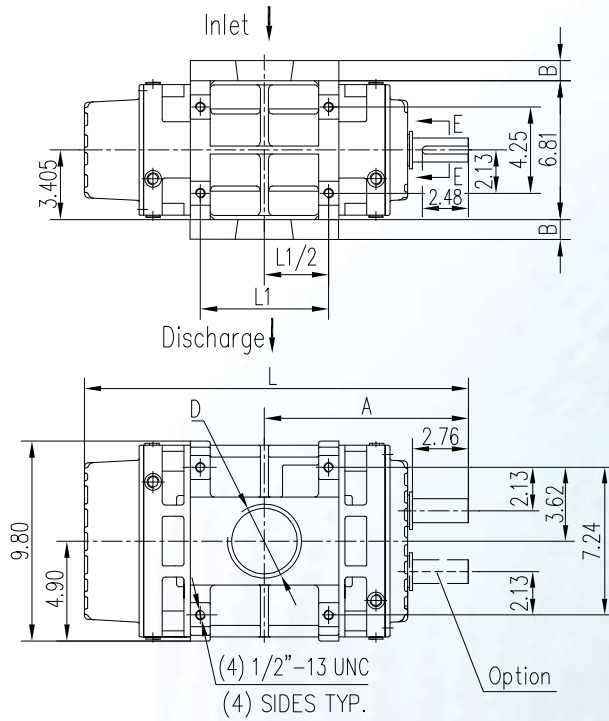
Notes: Pressure ratings based on inlet air at standard pressure of 14.7psia, standard temperature of 68°F, and specific gravity of 1.0

Vacuum Performance

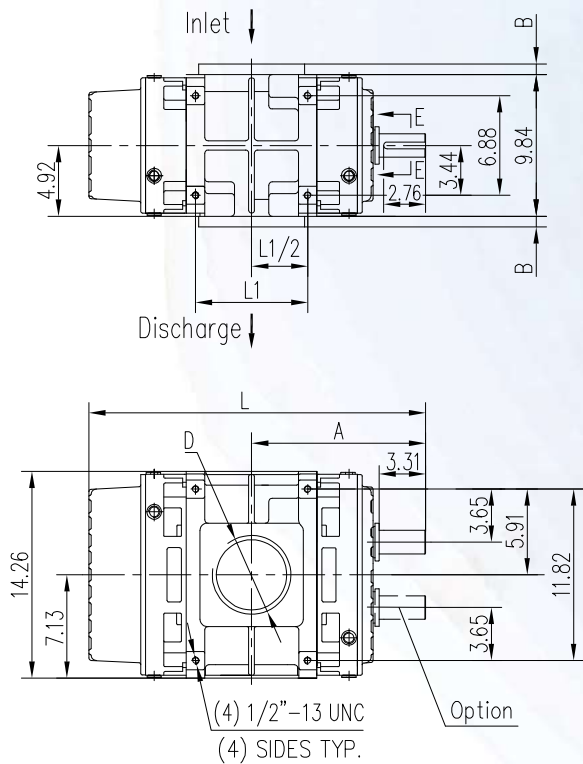
Model	SPEED	Theoretical Capacity CFM	4" Hg		6" Hg		8" Hg		10" Hg		12" Hg		15" Hg	
	RPM		CFM	BHP	CFM	BHP	CFM	BHP	CFM	BHP	CFM	BHP	CFM	BHP
MB 3004V	1450	67	43	0.7	37	1.0	30	1.4	23	1.8				
	3000	138	115	2.2	109	2.8	103	3.5	97	4.2	91	4.9	81	5.9
	4000	184	162	2.8	157	3.6	151	4.6	145	5.5	139	6.5	130	7.8
	5000	230	209	3.7	204	4.6	199	5.7	193	6.8	188	7.9	178	9.5
MB 3006V	1450	99	66	1.0	59	1.8	51	2.2	43	2.7				
	3000	204	171	3.1	163	4.0	155	5.1	148	6.1	140	7.1	127	8.6
	4000	272	239	4.1	232	5.3	225	6.7	218	8.1	210	9.4	198	11.4
	5000	340	308	5.4	302	6.7	294	8.3	287	9.9	280	11.5	268	13.8
MB 3007V	1450	113	80	1.4	72	1.9	63	2.4	55	2.9				
	3000	234	199	3.6	191	4.7	183	5.8	175	7.1	166	8.2	153	10.0
	4000	312	279	4.8	272	6.1	263	7.7	255	9.3	247	10.9	234	13.2
	5000	390	359	6.2	351	7.8	344	9.6	336	11.5	328	13.3	315	16.0
MB 4504V	1150	121	92	1.1	83	1.6	76	2.2	68	2.6				
	1750	184	155	1.6	146	2.4	139	3.3	131	4.0	123	4.7		
	3000	315	286	2.8	278	4.2	270	5.6	262	7.0	254	8.4	240	10.5
	4000	420	391	3.8	383	5.7	375	7.7	367	9.6	359	11.5	345	14.3
MB 4506V	1150	182	139	1.6	127	2.3	116	3.1	104	3.9	93	4.7		
	1750	277	234	2.4	222	3.6	211	4.8	199	6.0	187	7.2		
	3000	474	431	4.2	419	6.2	408	8.3	397	10.4	385	12.5	365	15.6
	4000	632	589	5.6	577	8.5	566	11.3	555	14.1	543	16.9	523	21.2
MB 4509V	1150	271	209	2.3	192	3.5	176	4.7	159	5.8	142	7.0		
	1750	413	351	3.6	334	5.3	317	7.1	301	8.9	283	10.7		
	3000	708	646	6.2	629	9.3	612	12.4	596	15.5	578	18.6	549	23.2
	4000	944	882	8.4	865	12.6	848	16.7	832	20.9	814	25.1	785	31.4
MB 4512V	1150	362	282	3.1	259	4.7	238	6.2	217	7.8	194	9.3		
	1750	551	471	4.8	448	7.1	427	9.5	406	11.9	383	14.3		
	3000	945	864	8.3	842	12.4	821	16.5	800	20.6	777	24.8	739	30.9
	4000	1260	1179	11.2	1157	16.7	1136	22.3	1115	27.9	1092	33.5	1054	41.8
MB 4518V	1150	544	426	4.7	394	7.0	363	9.3	332	11.7	299	14.0	244	17.5
	1750	828	710	7.1	678	10.7	647	14.3	616	17.8	583	21.4		
	3000	1419	1301	12.4	1269	18.5	1238	24.7	1207	30.9	1174	37.1	1119	46.4
	4000	1892	1774	16.7	1742	25.0	1711	33.4	1680	41.7	1647	50.1	1592	62.6
MB 6010V	1150	574	465	4.9	435	7.4	406	9.9	377	12.3	347	14.8		
	1750	873	764	7.6	734	11.3	706	15.1	677	18.9	646	22.7	595	28.3
	2600	1297	1188	11.3	1159	17.0	1130	22.7	1101	28.3	1071	34.0	1019	42.5
	3000	1497	1388	13.2	1358	19.7	1329	26.3	1301	32.9	1270	39.5	1219	49.4
MB 6016V	1150	873	736	7.5	698	11.3	662	15.0	626	18.8	587	22.5		
	1750	1328	1191	11.5	1153	17.2	1117	23.0	1081	28.7	1043	34.5	978	43.1
	2600	1973	1836	17.3	1799	25.9	1763	34.5	1726	43.2	1688	51.8	1623	64.7
	3000	2277	2140	20.0	2102	30.1	2066	40.1	2030	50.1	1991	60.1	1927	75.2
MB 6024V	1150	1310	1138	11.3	1091	16.9	1046	22.5	1001	28.2	953	33.8	872	42.2
	1750	1993	1822	17.2	1775	25.8	1730	34.4	1684	43.0	1636	51.6	1556	64.6
	2600	2961	2790	25.8	2743	38.7	2698	51.6	2652	64.5	2604	77.4	2524	96.8
	3000	3417	3246	30.0	3198	44.9	3153	59.9	3108	74.9	3060	89.9	2979	112.3
MB 8020V	970	1917	1634	17.9	1557	26.1	1483	34.3	1408	42.5	1329	50.7		
	1600	3164	2878	34.6	2800	48.1	2727	61.7	2652	75.2	2573	88.8	2440	109.1
	1750	3460	3174	37.7	3097	52.5	3023	67.3	2948	82.1	2869	96.9	2736	119.1
	2050	4054	3766	50.4	3689	67.7	3615	85.1	3540	102.4	3461	119.8	3329	145.8
MB 8026V	970	2440	2132	23.1	2046	33.6	1965	44.0	1882	54.5	1795	65.0	1649	80.7
	1600	4025	3681	45.4	3585	62.7	3494	79.9	3402	97.2	3305	114.5	3141	140.4
	1750	4403	4058	54.0	3963	72.9	3872	91.8	3779	110.7	3682	129.5	3519	157.9
	2050	5155	4748	72.3	4635	94.4	4527	116.5	4417	138.6	4302	160.8	4108	194.0

Notes: Vacuum ratings based on inlet air at standard temperature of 68°F, discharge of 30"Hg and specific gravity of 1.0

Outline Drawing for Series MB Roots Type Blower



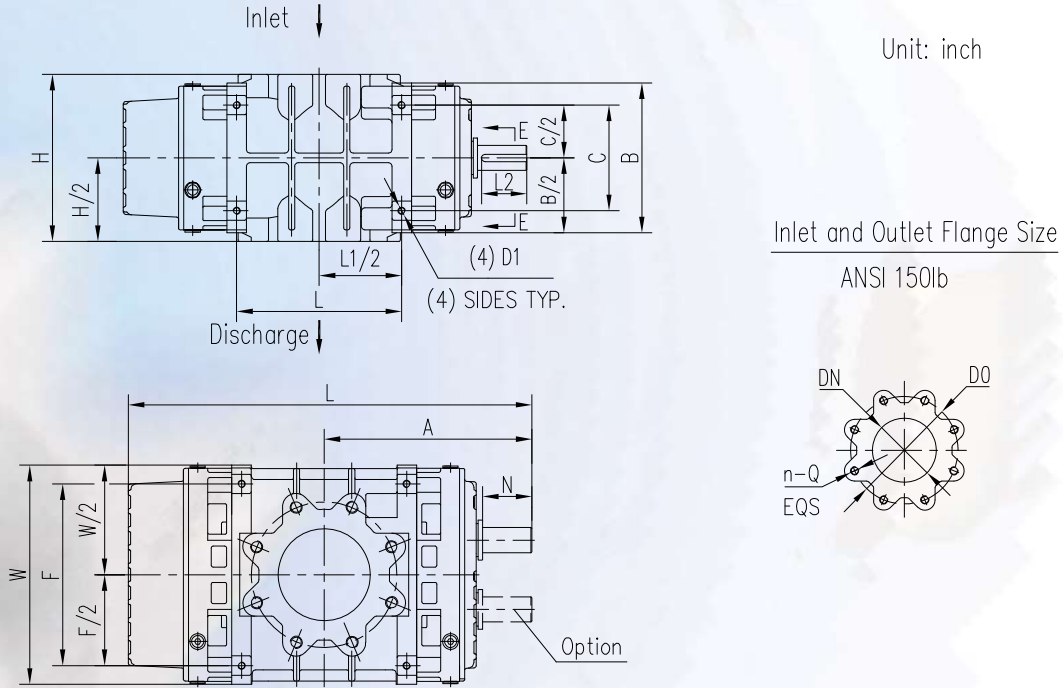
Type	A	B	L	L1	D	Wt. (lb)
MB3004	8.54	1	15.91	3.35	NPT2"	107
MB3006	9.53	1.18	17.87	5.31	NPT2.5"	125
MB3007	10.02	1.18	18.86	6.3	NPT2.5"	133



Type	A	B	L	L1	D	Wt. (lb)
MB4504	9.49	1.38	18.25	2.74	NPT2.5"	231
MB4506	10.49	1.38	20.24	4.72	NPT4"	271
MB4509	12.01	1.38	23.23	7.75	NPT5"	332

**Bi-lobe Positive Displacement Blower &
Vacuum Pumps**

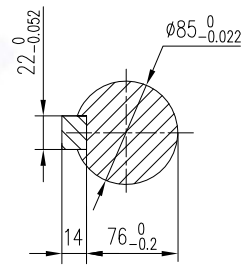
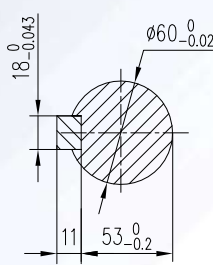
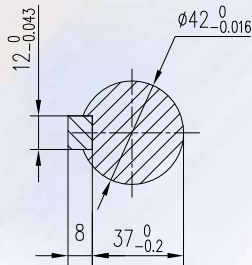
Outline Drawing for Series MB Roots Type Blower



E-E Unit:mm
MB4512,MB4518

E-E Unit:mm
MB6010,MB6016,MB6024

E-E Unit:mm
MB8020,MB8026



Model	A	B	C	F	L	L1	L2	N	W	H	D0	DN	n-Q	D1	Wt. (lb.)
MB4512	13.50	9.75	6.87	11.81	26.23	10.73	2.76	3.31	14.25	11	ø9.5"	6"	8-3/4"-10 UNC	1/2"-13 UNC	385
MB4518	16.50	9.75	6.87	11.81	32.21	16.73		3.31	14.25	11.14	ø11.75"	8"	8-3/4"-10 UNC	1/2"-13 UNC	473
MB6010	15.24	12.99	9.17	15.75	29.41	8.88	3.94	4.41	19.02	14.80	ø9.5"	6"	8-3/4"-10 UNC	5/8"-11 UNC	673
MB6016	18.00	12.99	9.17	15.75	34.92	14.37		4.41	19.02	14.80	ø11.75"	8"	8-3/4"-10 UNC	5/8"-11 UNC	881
MB6024	22.00	12.99	9.17	15.75	42.95	22.36	5.51	4.41	19.02	14.80	ø14.25"	10"	12-7/8"-9 UNC	5/8"-11 UNC	1123
MB8020	22.62	18.11	12.2	20.87	43.8	18.5		6.3	26.77	19.88	ø11.75"	8"	8-3/4"-10 UNC	5/8"-11 UNC	1499
MB8026	25.37	18.11	12.2	20.87	49.31	23.62	6.3	26.77	19.88	ø14.25"	10"	12-7/8"-9 UNC	5/8"-11 UNC	1731	



EurusBlower

**3701 S. Harvard Ave.
Suite A, #544
Tulsa, OK 74135-2282**

p: (918) 361-0285

**www. eurusblower.com
sales@eurusblower.com**

MB210807