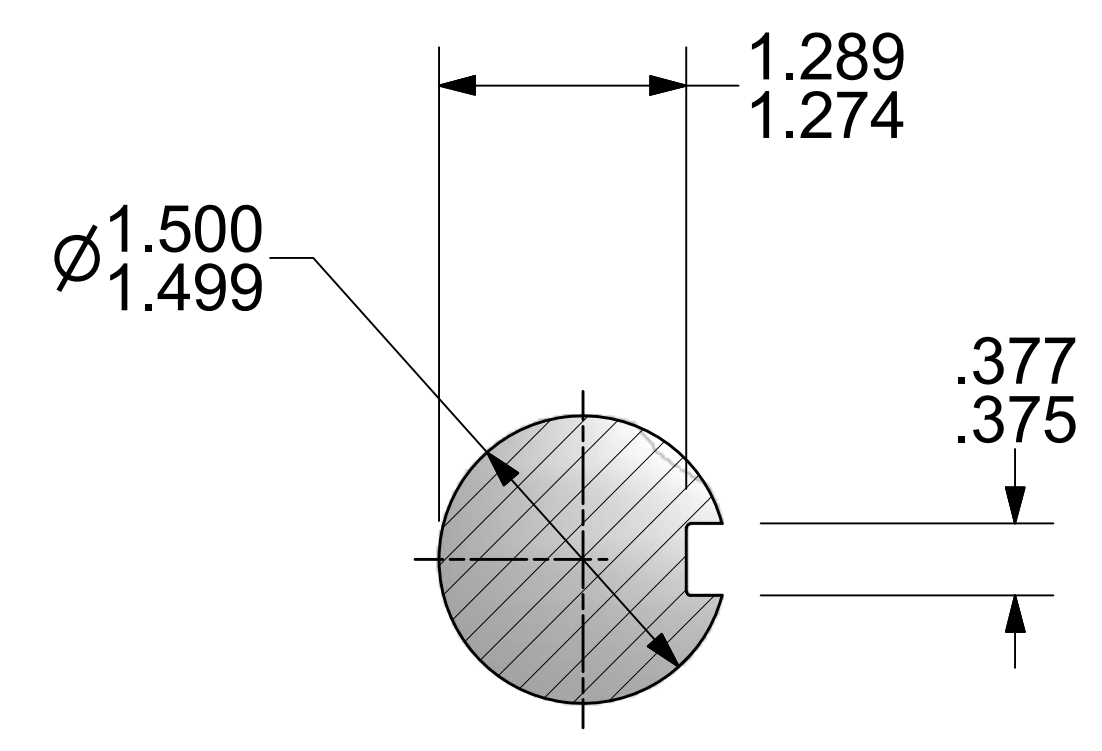
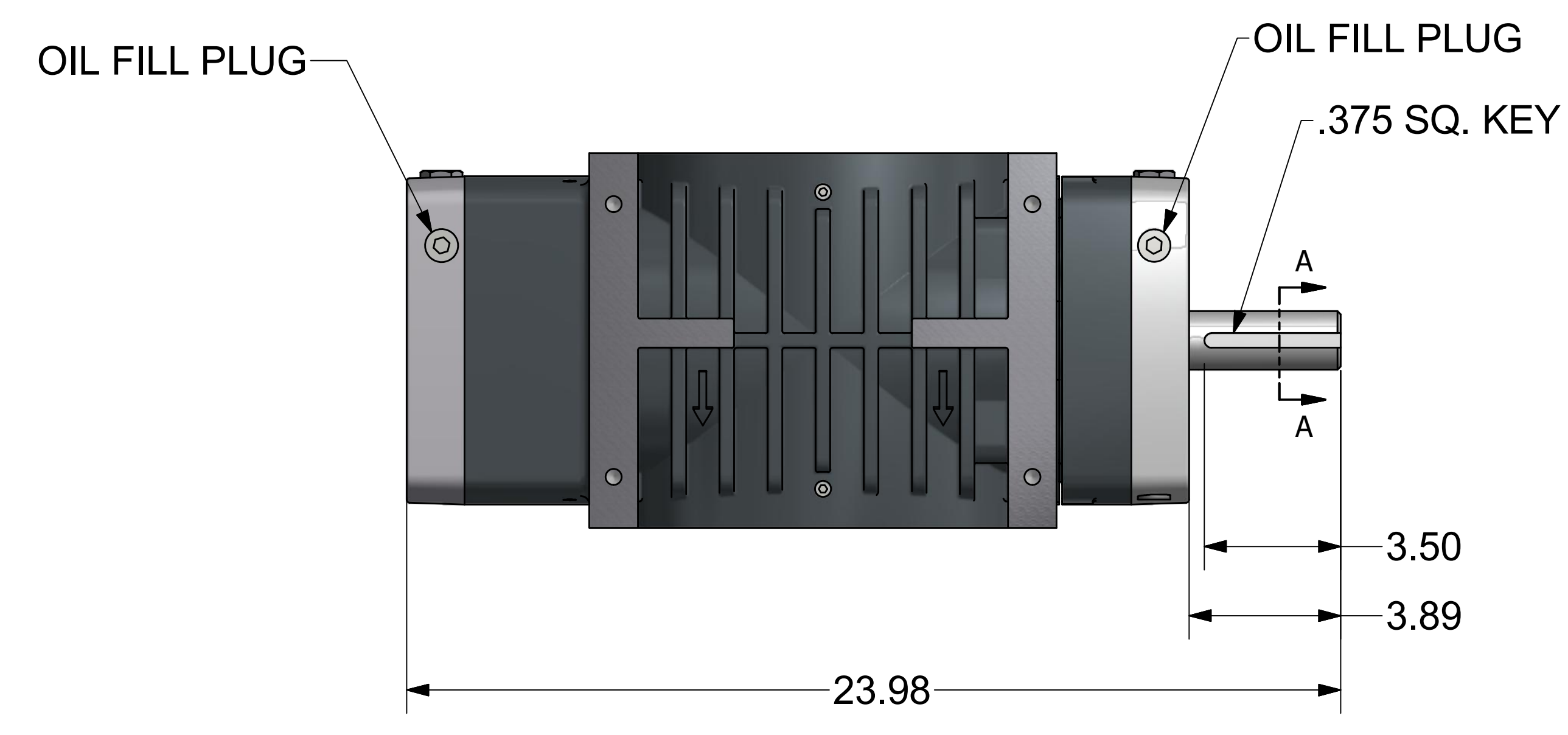
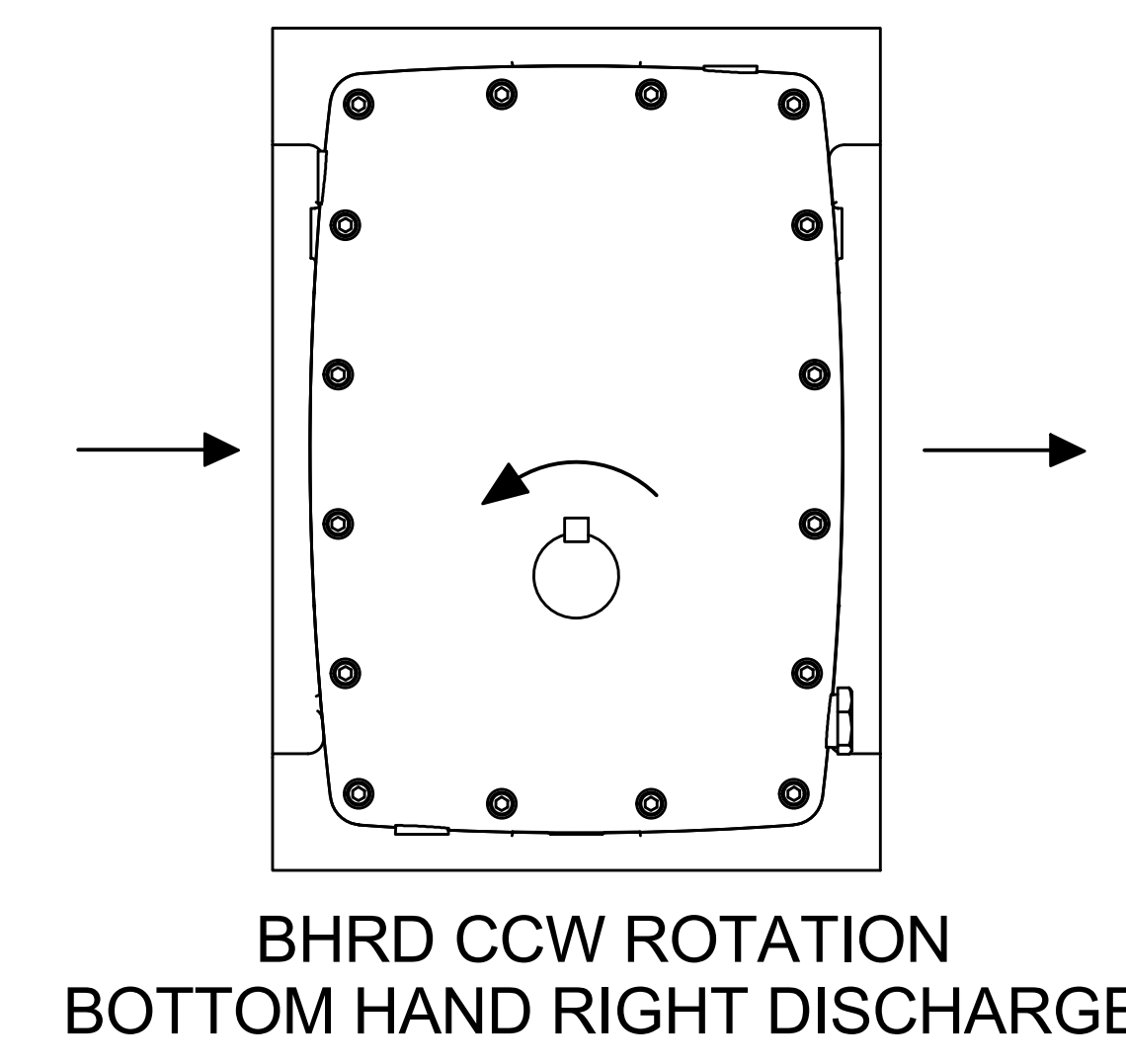
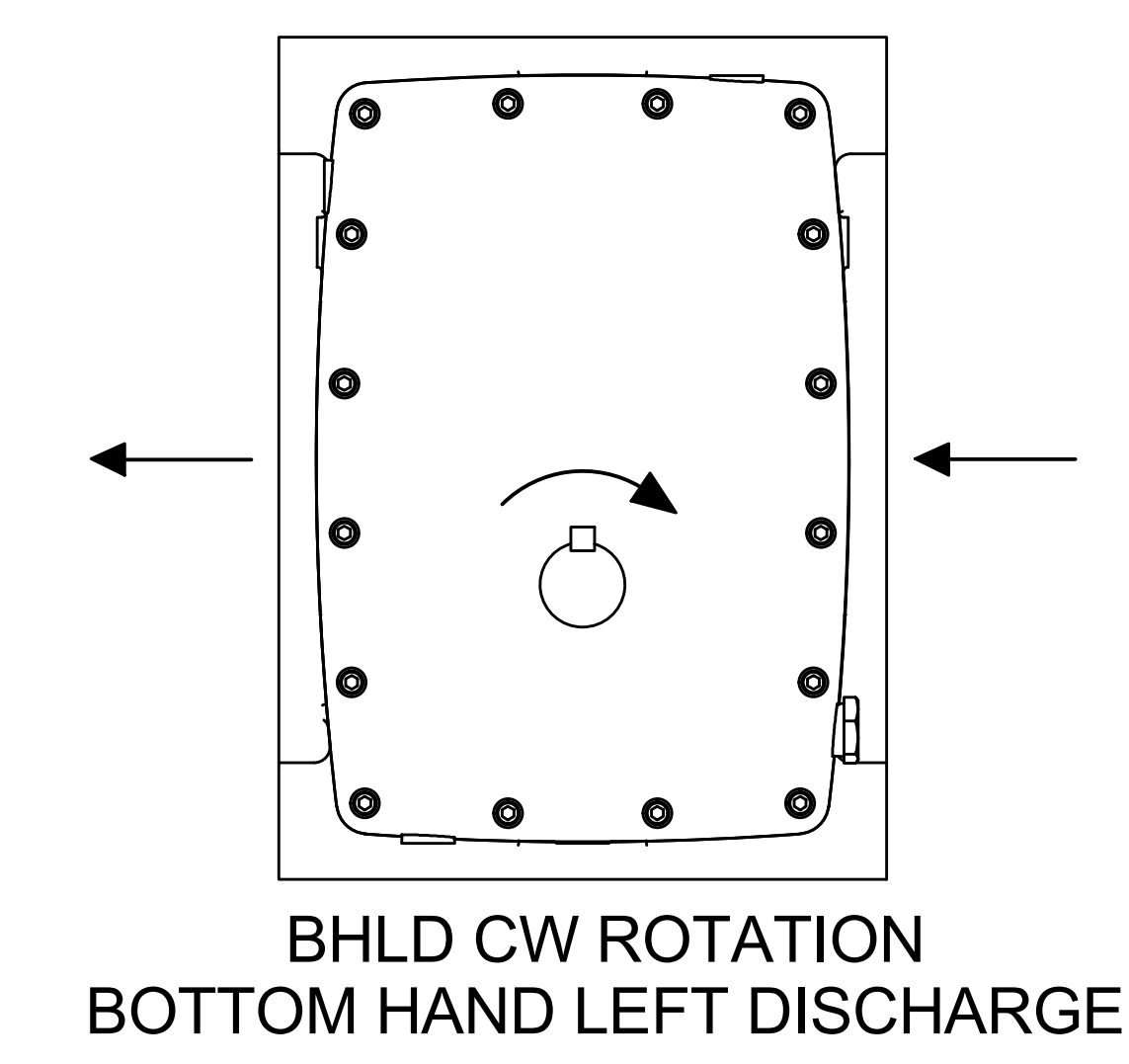
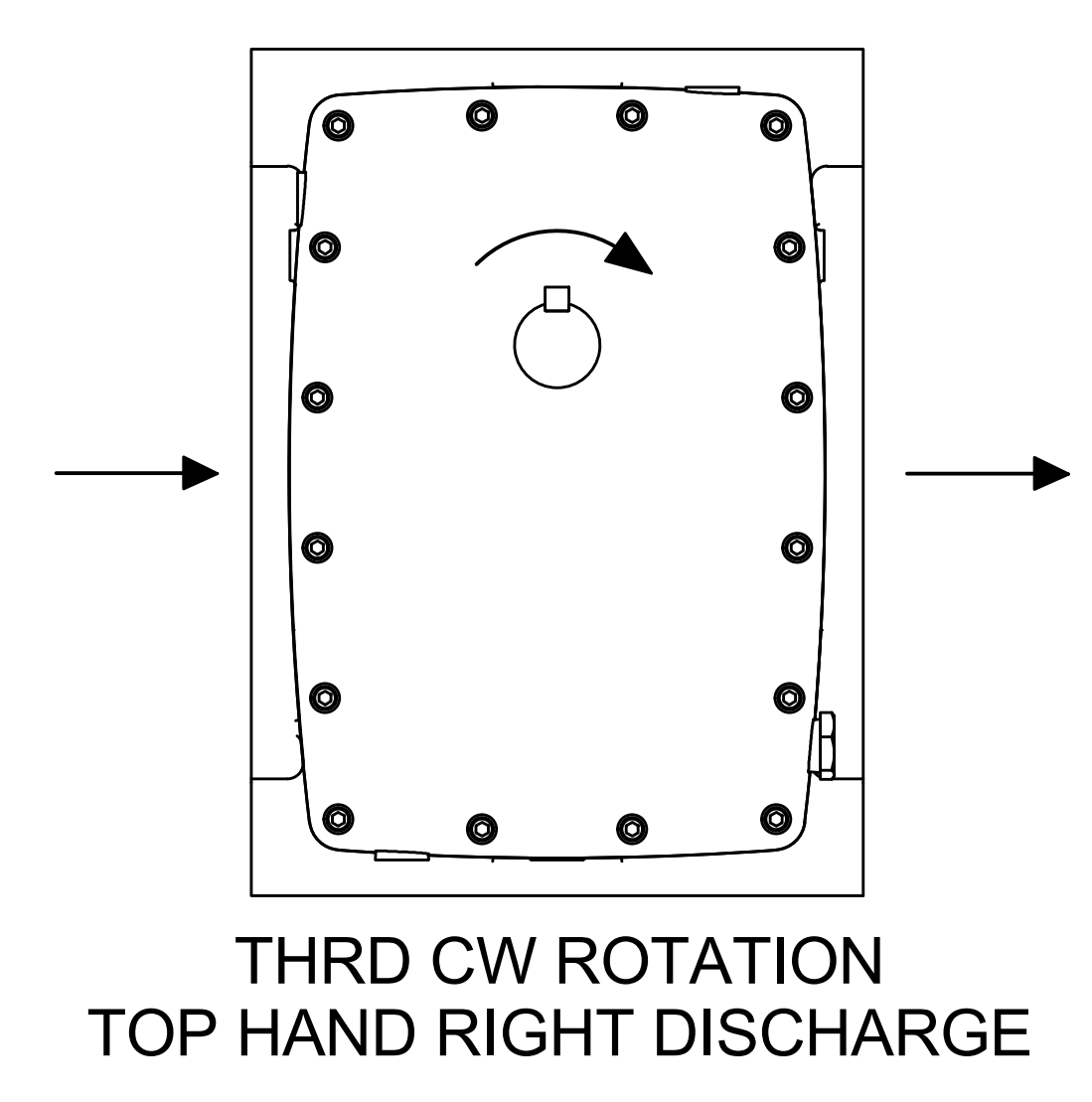
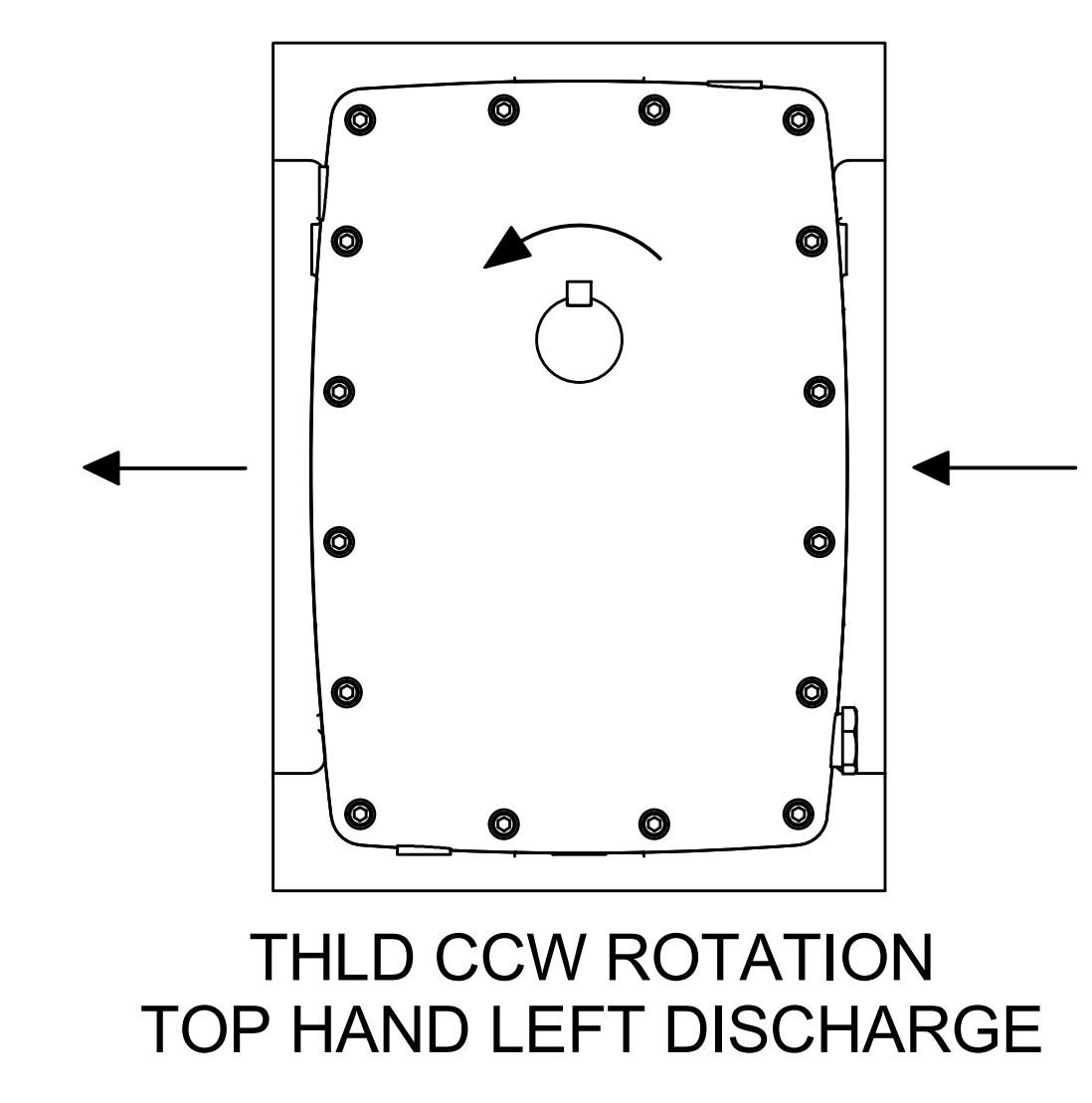
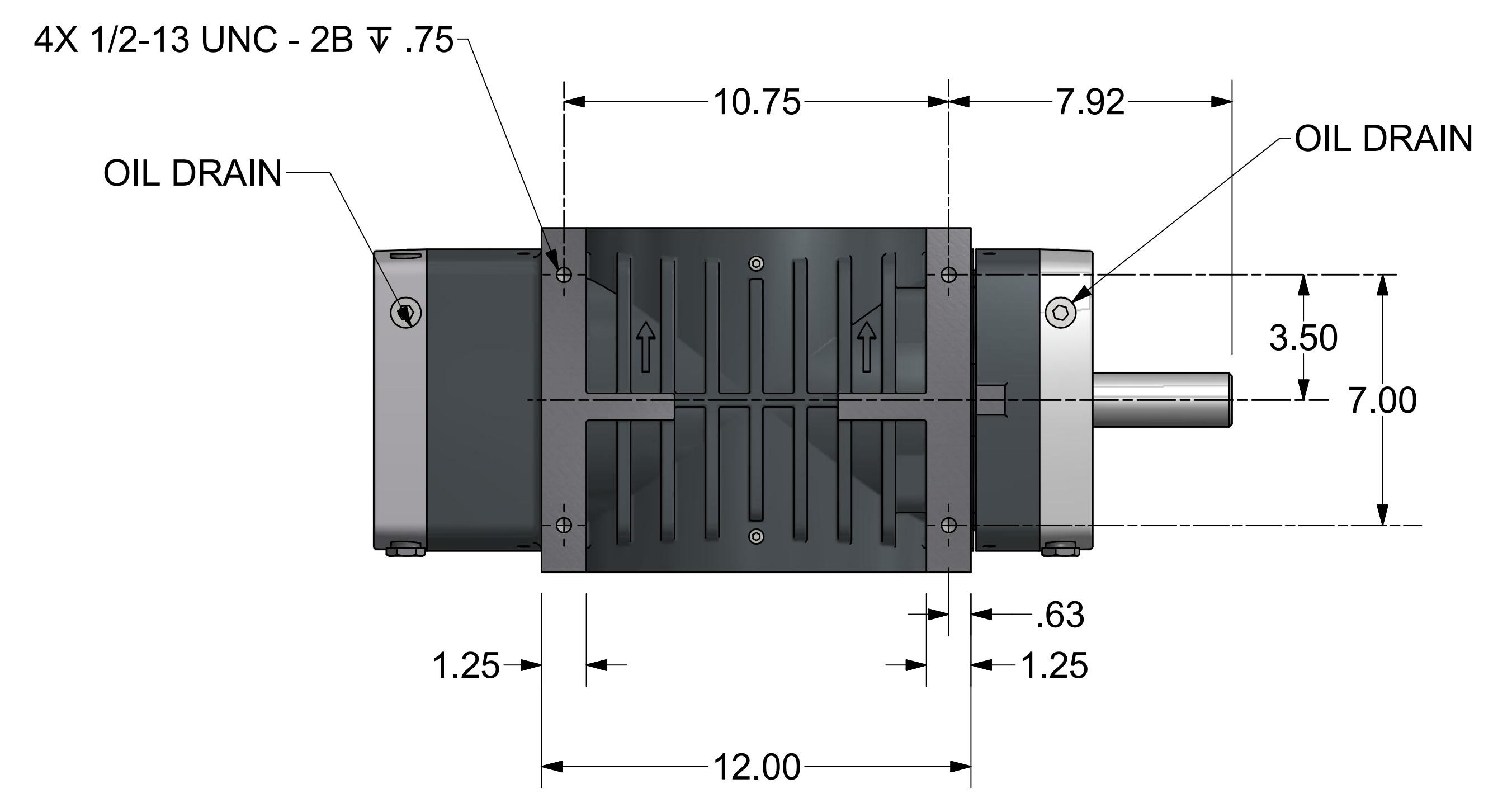
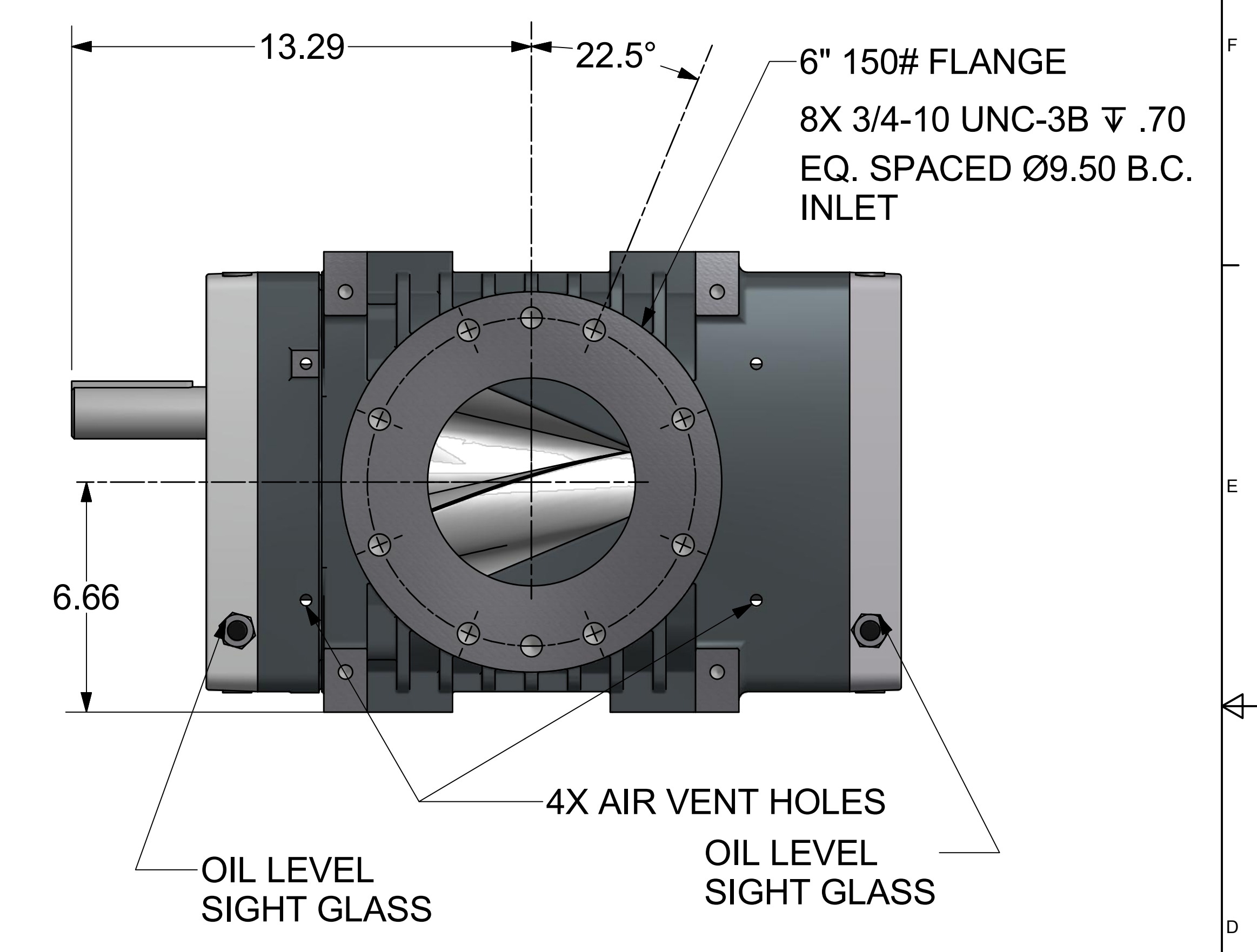
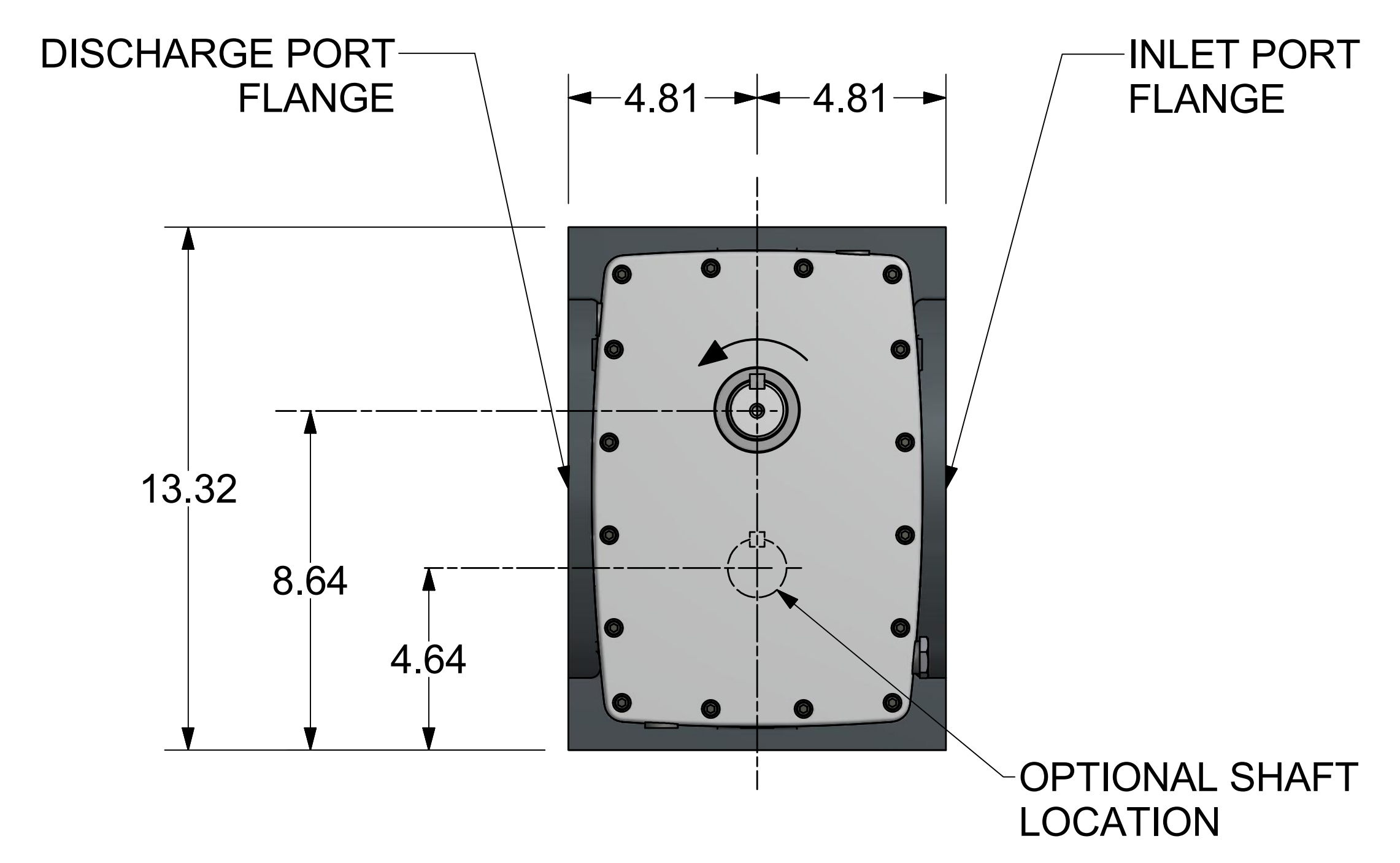
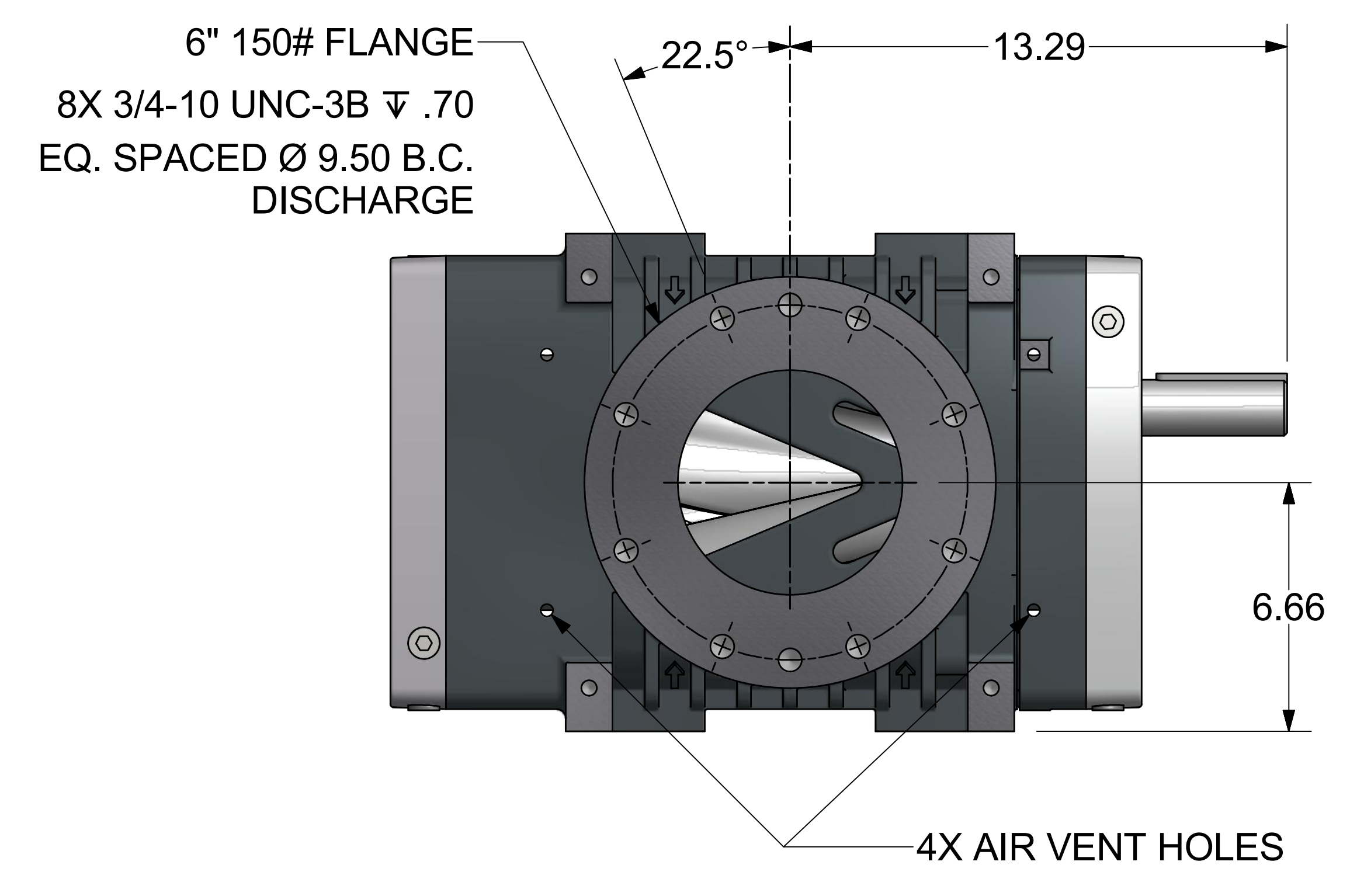


REVISION HISTORY		DATE	DWN	CHK
ZONE	REV	DESCRIPTION		
	A	RELEASED PER ECN 1080006	12/9/13	TAM



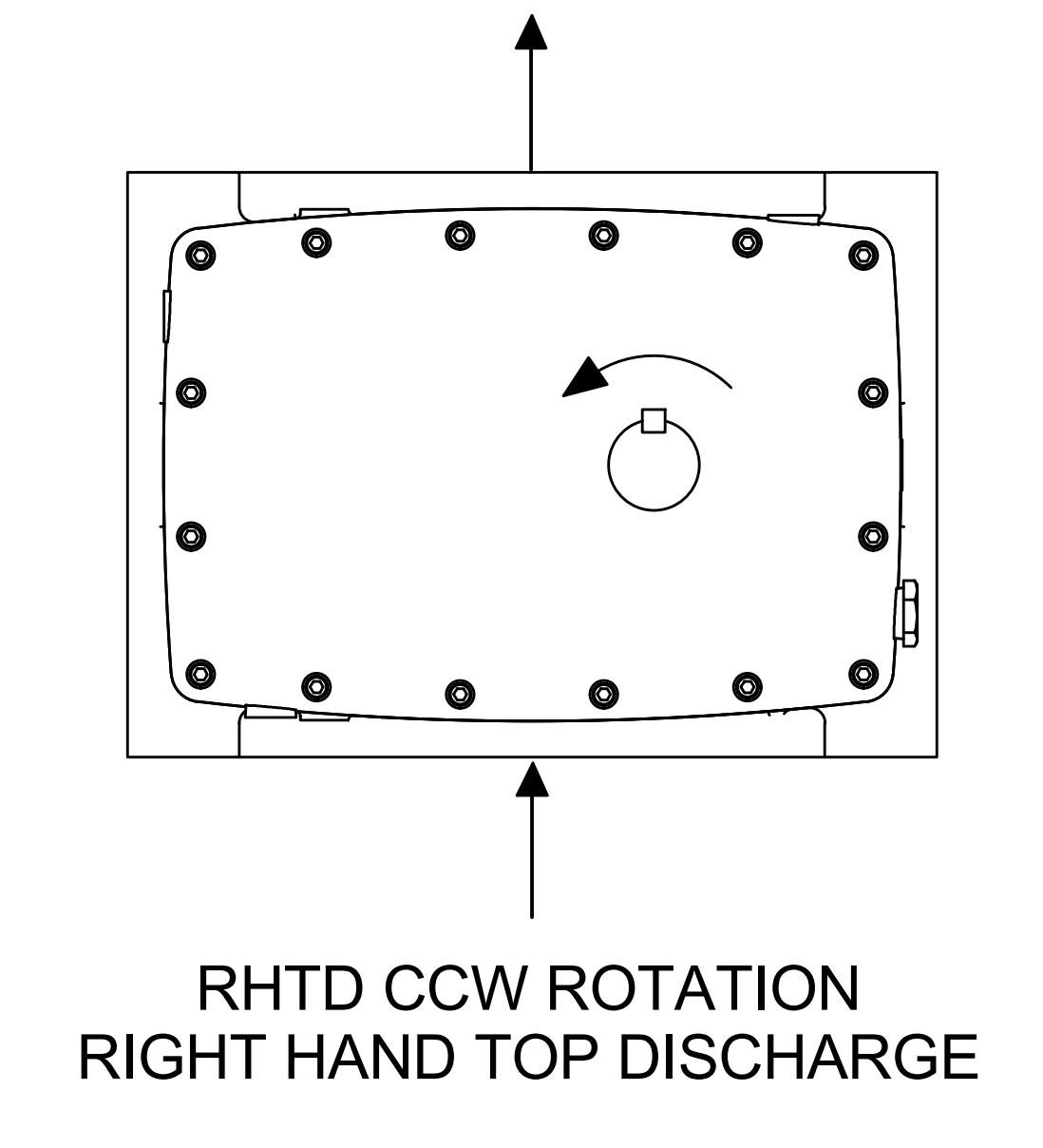
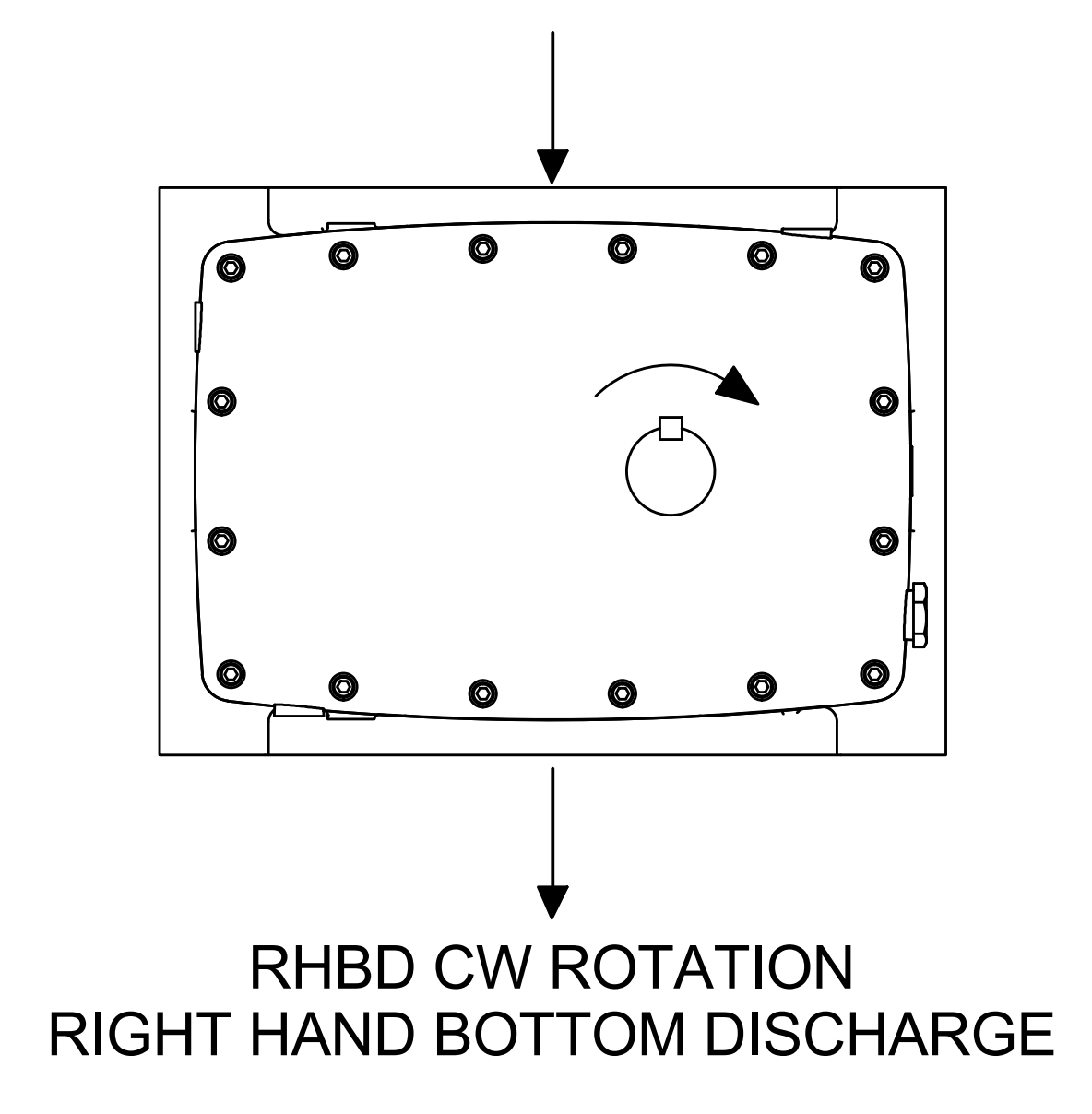
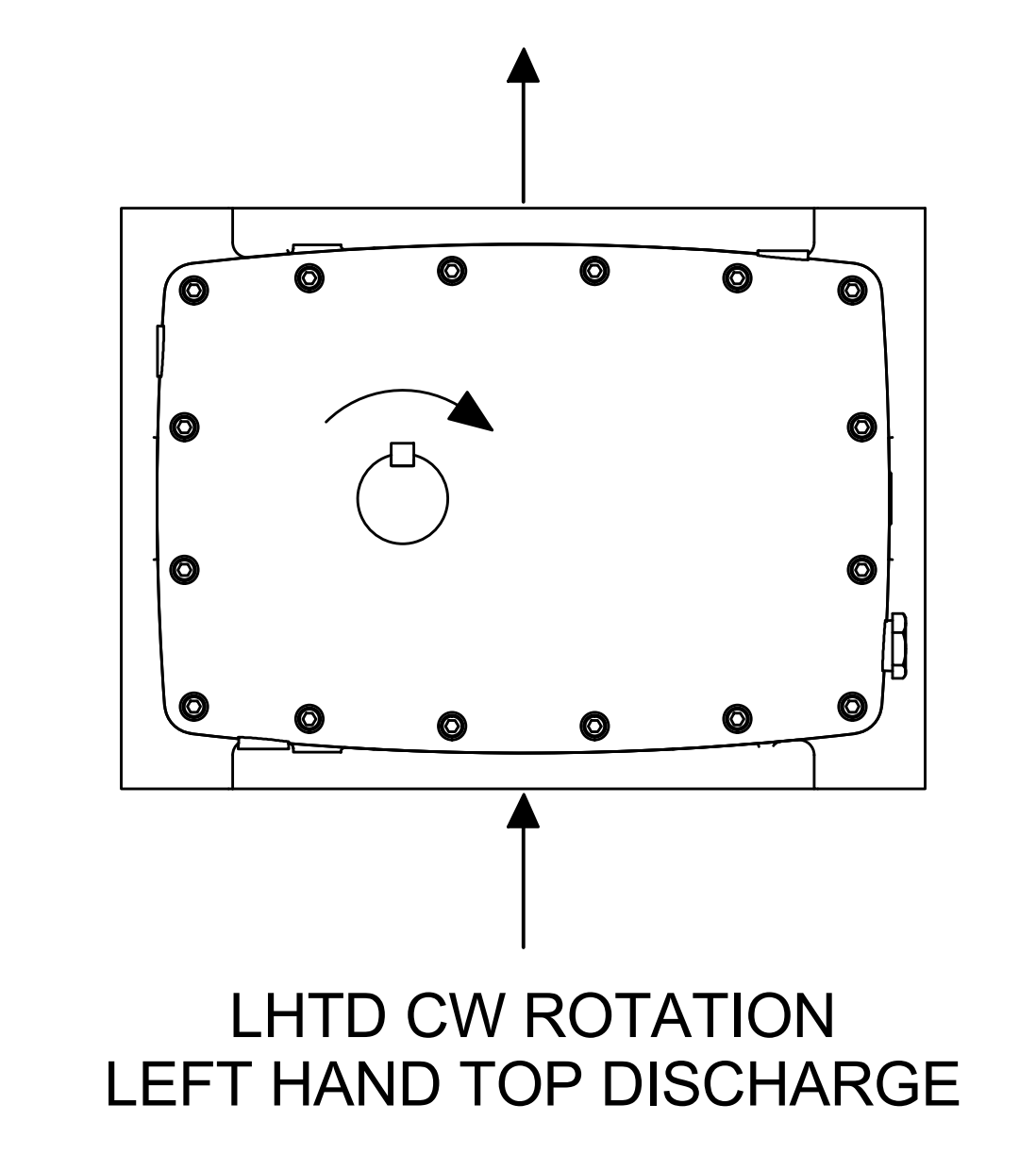
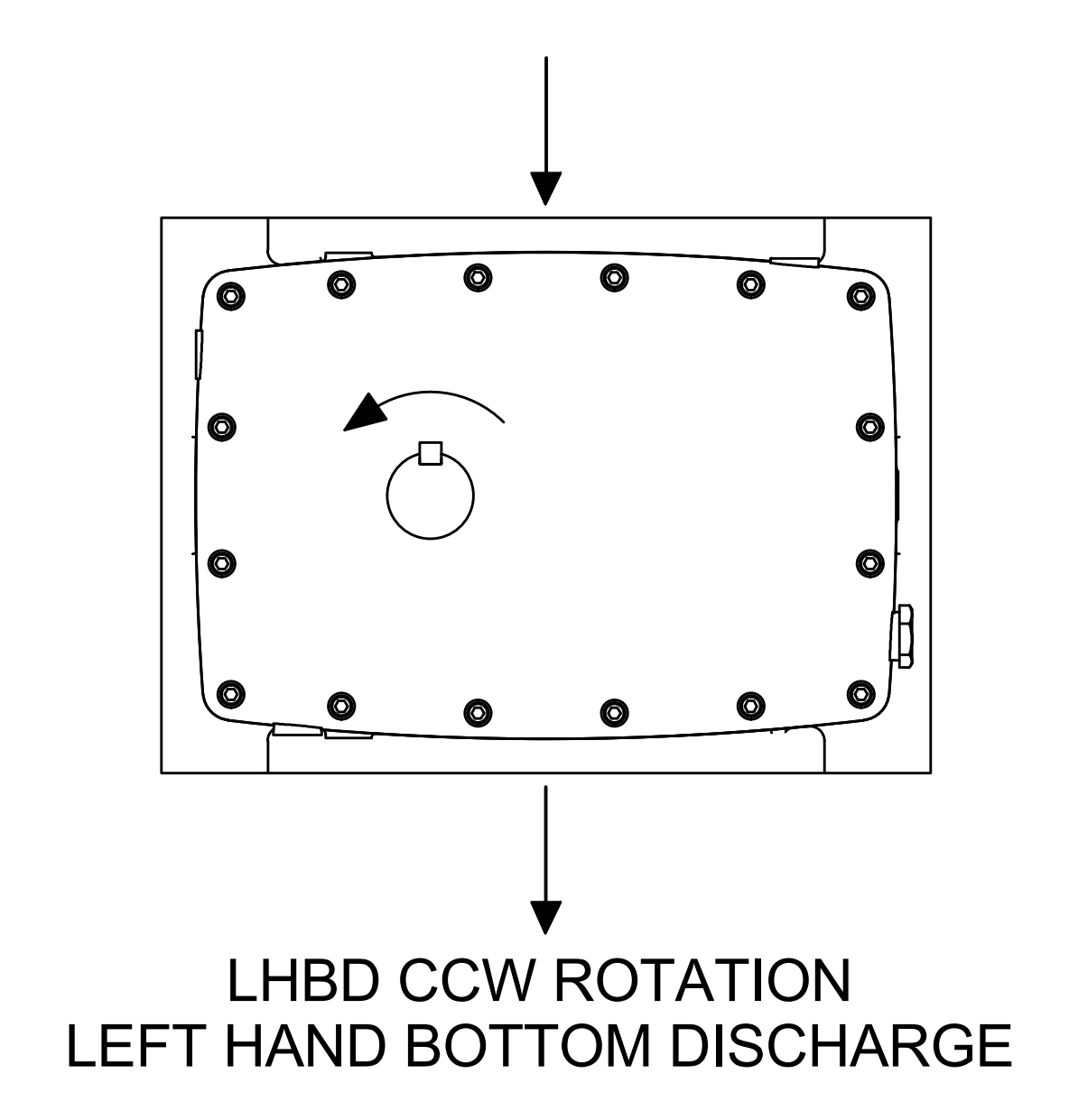
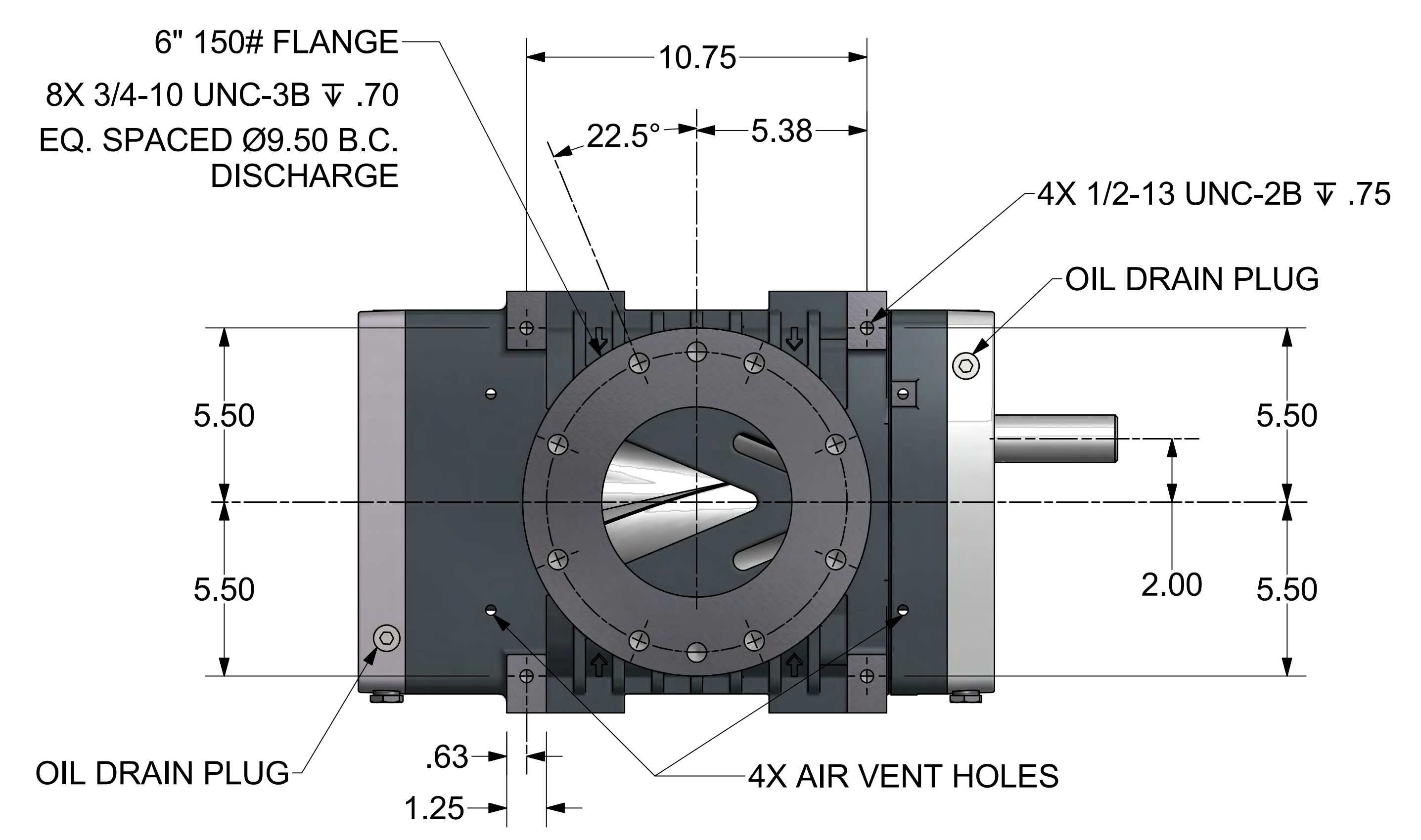
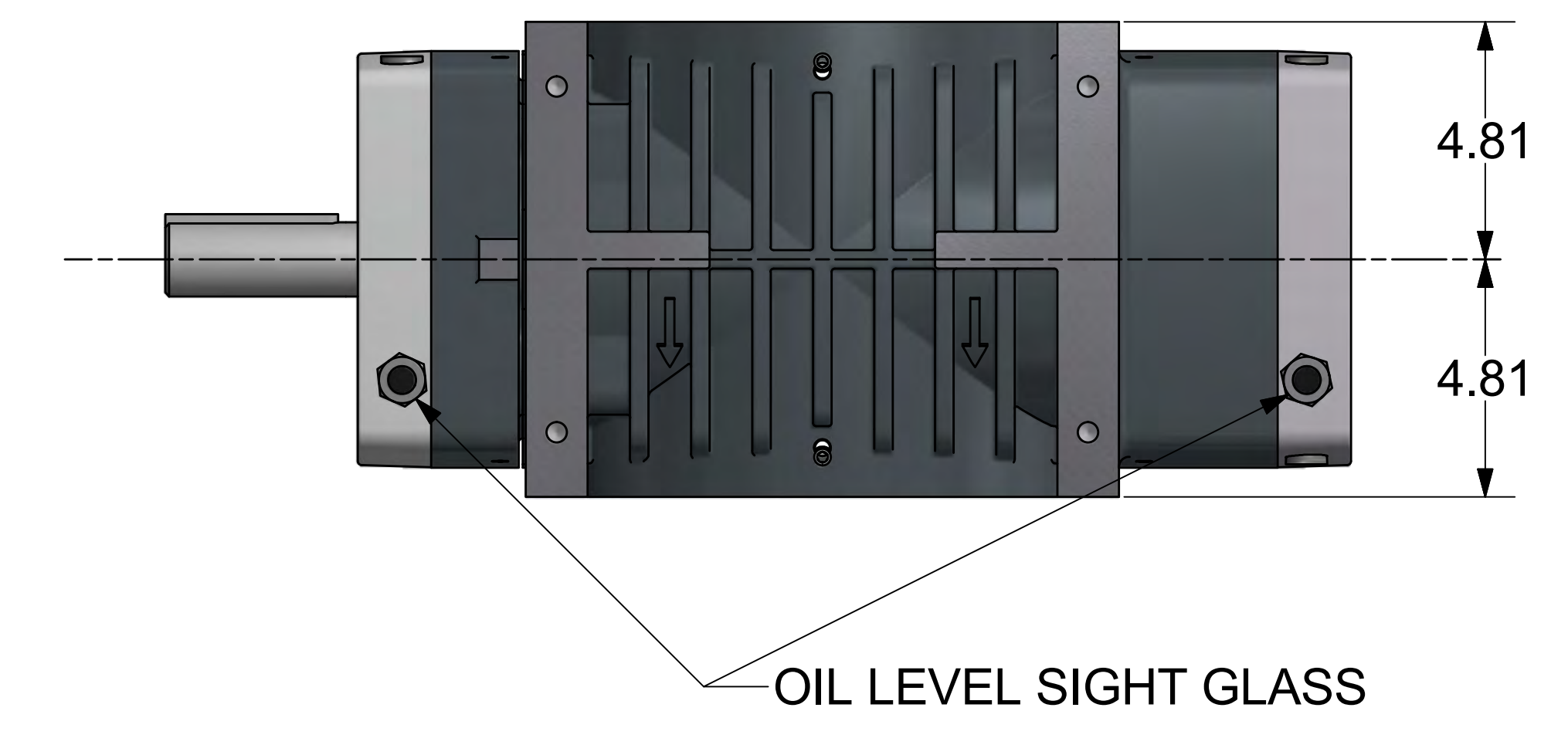
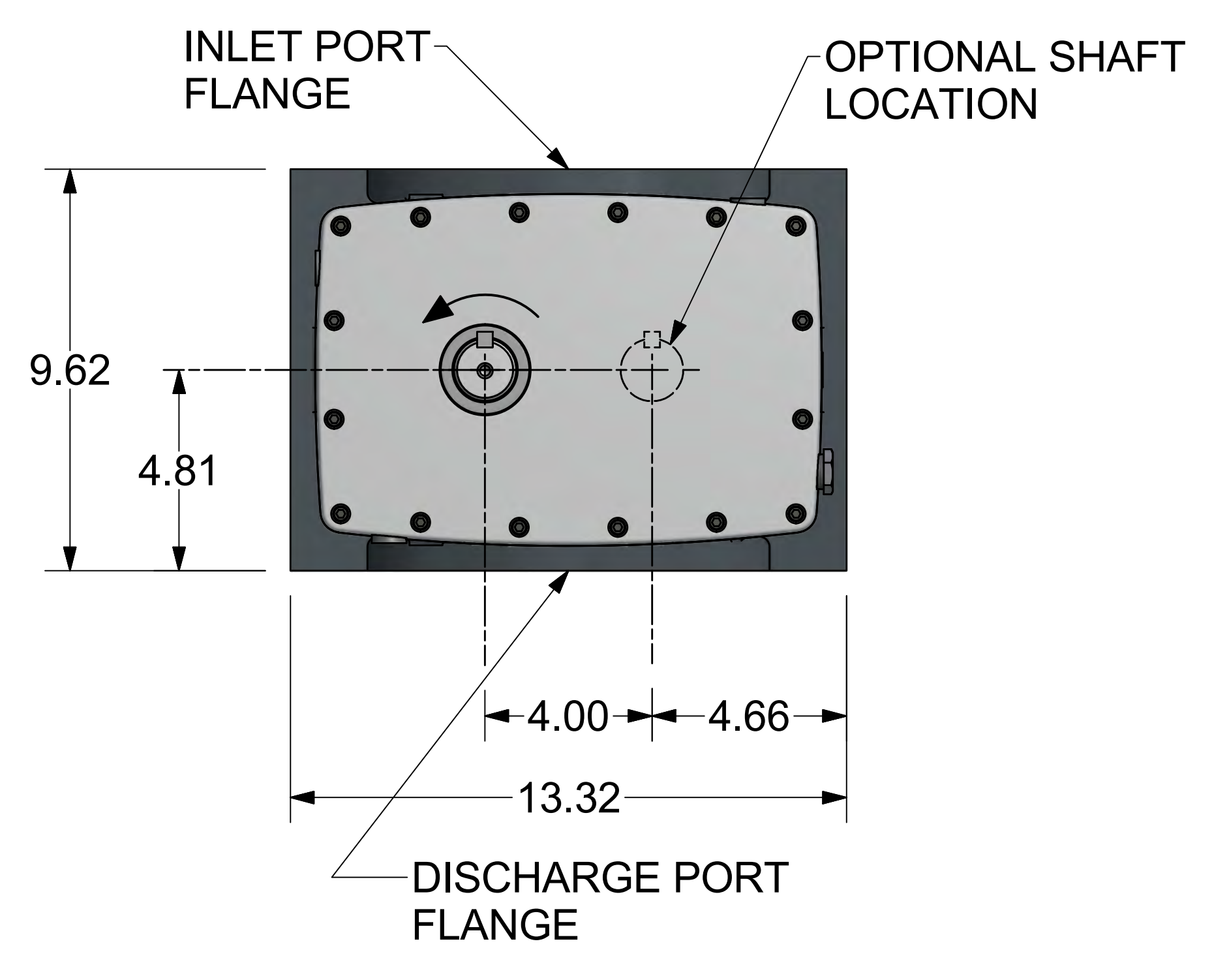
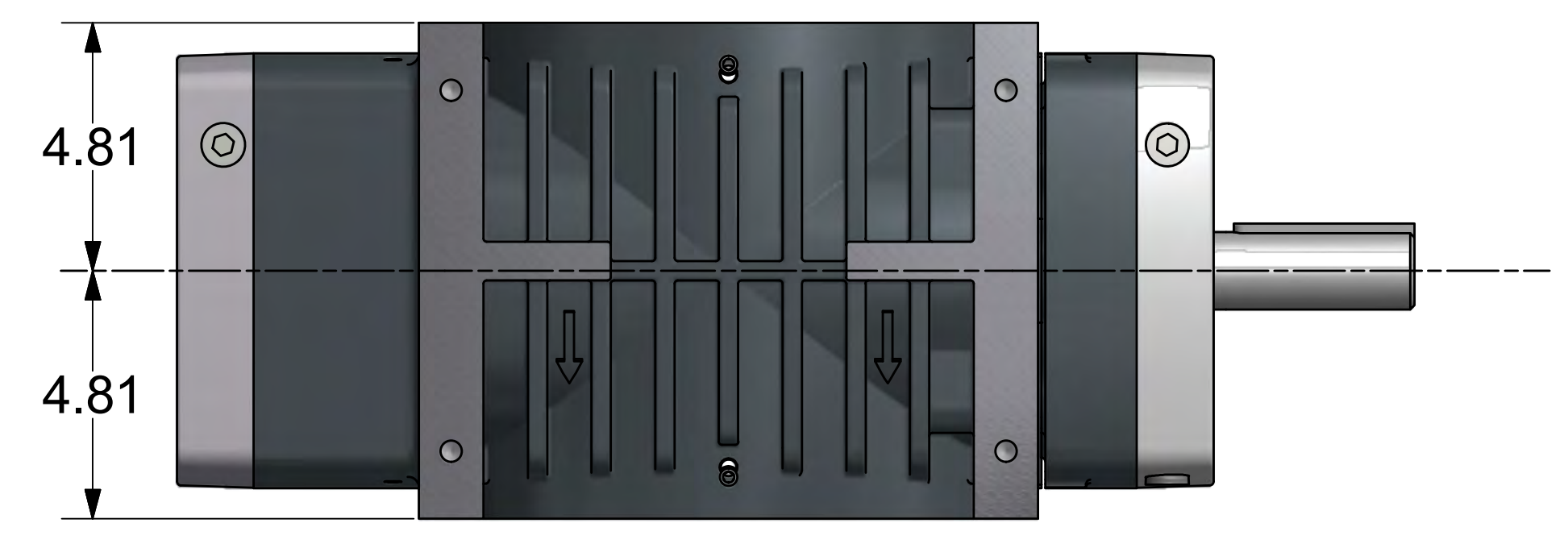
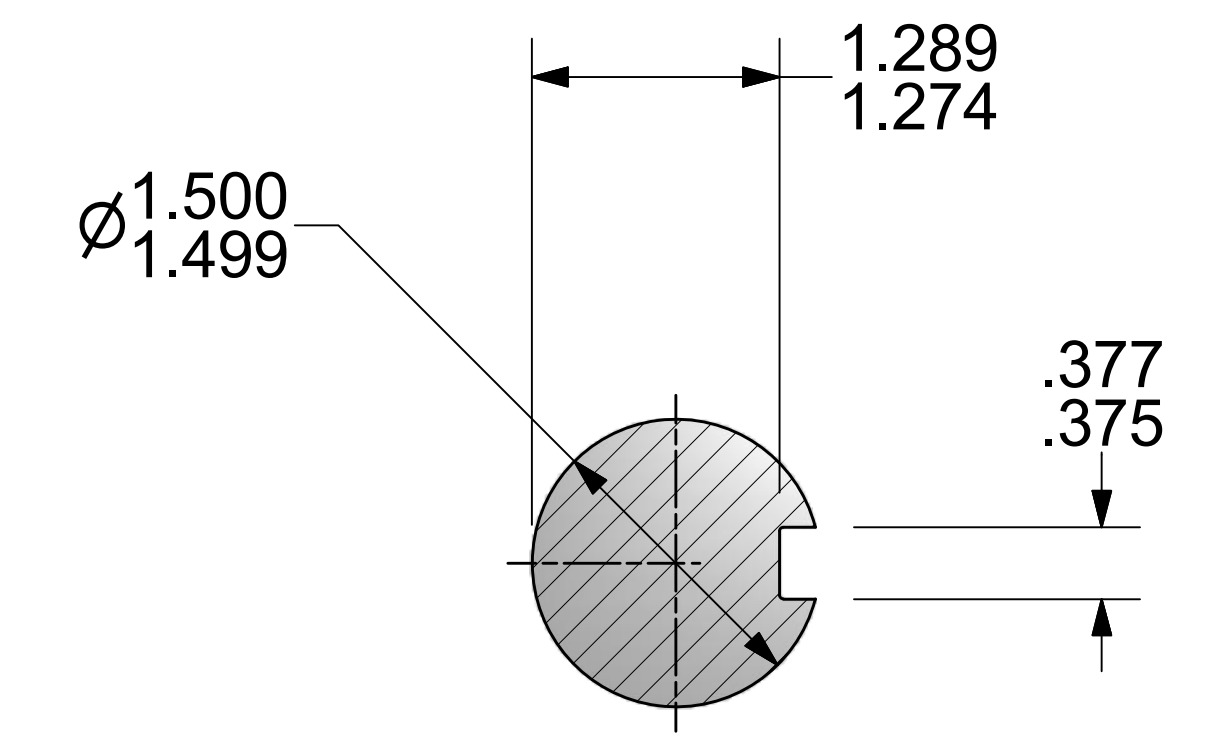
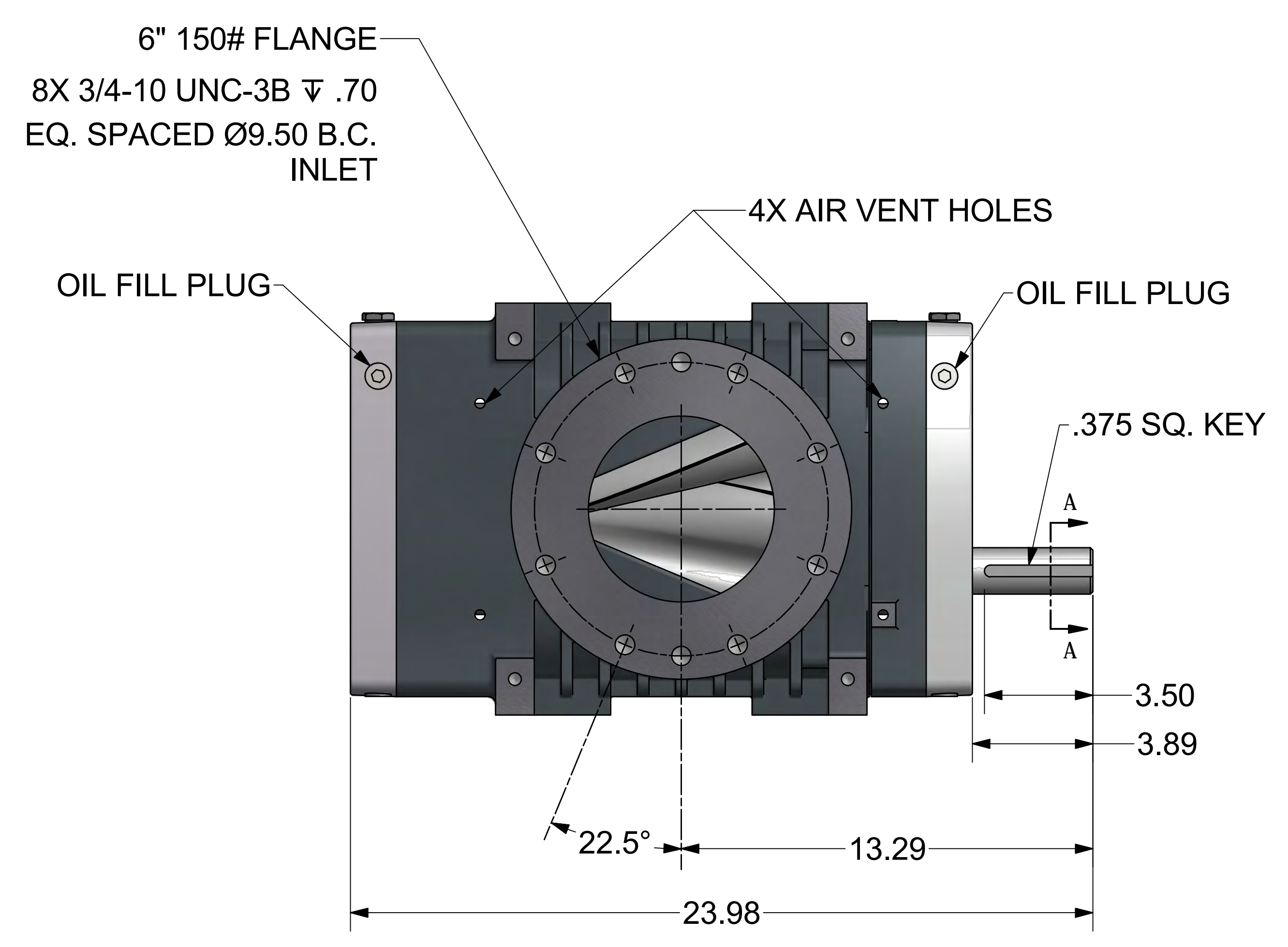
SECTION A-A
SCALE 1 : 1



WEIGHT - 291 LBS

FINISH OF CHAMFERS AND FILLETS TO CONFORM TO ROUGHEST ADJACENT AREA. SURFACE ROUGHNESS MAXIMUM PER ASME B46.1. FULL THREAD DEPTHS ARE MINIMUM.		CONFIDENTIAL - THE INFORMATION CONTAINED IN THIS DOCUMENT IS THE PROPERTY OF GARDNER DENVER, INC. IT IS NOT FOR PUBLIC DISCLOSURE. POSSESSION OF THE INFORMATION DOES NOT CONVEY ANY RIGHT TO LOAN, SELL OR DISCLOSE THE INFORMATION. UNAUTHORIZED REPRODUCTION OR USE OF THE INFORMATION IS PROHIBITED. THIS DOCUMENT IS TO BE RETURNED TO GARDNER DENVER, INC. UPON THE COMPLETION OF THE PURPOSE FOR WHICH IT IS LOANED OR UPON REQUEST.	
UNLESS OTHERWISE SPECIFIED DIMENSIONS ARE IN INCHES		DIMENSIONING AND TOLERANCING PER ASME Y14.5-2009	
TOL. ON DECIMALS: .X = ± .05		THREADS PER ASME B1.1 GAGING SYSTEM 21 U.O.S., ANSI B1.20.1 & B1.20.3	
TOL. ON DECIMALS: .XX = ± .02		HEAT TREATMENT	
TOL. ON DECIMALS: .XXX = ± AS SPECIFIED		ENG. REF:	
TOL. ON ANGLES: ± 0°-30'		TITLE	
THIRD ANGLE PROJECTION		Gardner Denver Inc. Quincy, IL	
THIRD ANGLE PROJECTION		HELIFLOW 412 VERTICAL	
DWBY TAM 12/9/2013		310HYC800	
CKDBY 12/9/2013		SHEET 1 OF 1	

REVISION HISTORY		DATE	DWN	CHK
ZONE	REV	DESCRIPTION		
	A	RELEASED PER ECN 1080006	12/9/13	TAM



WEIGHT - 291 LBS

FINISH OF CHAMFERS AND FILLETS TO CONFORM TO ROUGHEST ADJACENT AREA. SURFACE ROUGHNESS MAXIMUM PER ASME B46.1. FULL THREAD DEPTHS ARE MINIMUM.		CONFIDENTIAL - THE INFORMATION CONTAINED IN THIS DOCUMENT IS THE PROPERTY OF GARDNER DENVER, INC. IT IS NOT FOR PUBLIC DISCLOSURE. POSSESSION OF THE INFORMATION DOES NOT CONVEY ANY RIGHT TO LOAN, SELL OR DISCLOSE THE INFORMATION. UNAUTHORIZED REPRODUCTION OR USE OF THE INFORMATION IS PROHIBITED. THIS DOCUMENT IS TO BE RETURNED TO GARDNER DENVER, INC. UPON THE COMPLETION OF THE PURPOSE FOR WHICH IT IS LOANED OR UPON REQUEST.	
UNLESS OTHERWISE SPECIFIED DIMENSIONS ARE IN INCHES		DIMENSIONING AND TOLERANCING PER ASME Y14.5-2009 THREADS PER ASME B1.1 GAGING SYSTEM 21 U.O.S., ANSI B1.20.1 & B1.20.3	
TOL. ON DECIMALS: X = \pm .05	TOL. ON DECIMALS: XX = \pm .02	TOL. ON DECIMALS: XXX = \pm AS SPECIFIED	TOL. ON ANGLES: \pm 0'-30'
Gardner Denver Inc. Quincy, IL		HEAT TREATMENT	
TITLE OUTLINE-BARE UNIT		ENG. REF.	
DWBY TAM 12/9/2013	SCALE	311HYC800	REV A
CKDBY 12/9/2013	SCALE	SHEET 1 OF 1	