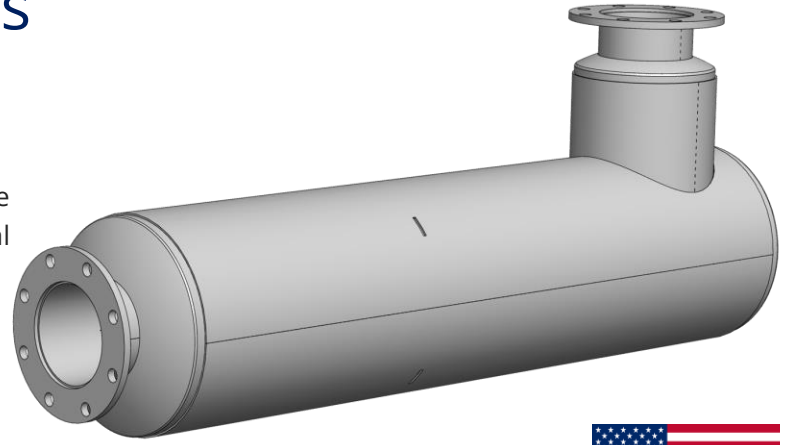


Industrial Blower Silencers

Chamber-Absorptive

Proudly made in the USA, pdblowers chamber-absorptive blower silencers are heavy-duty industrial type silencers ideal for both pressure and vacuum systems.

- **Reliable performance**
- **Made in America from domestic steel**
- **Heavy-duty, all welded carbon steel construction**
- **Durable powder-coat finish**



SAME FIT. SAME PERFORMANCE. BUILT HERE. BUILT TO LAST.

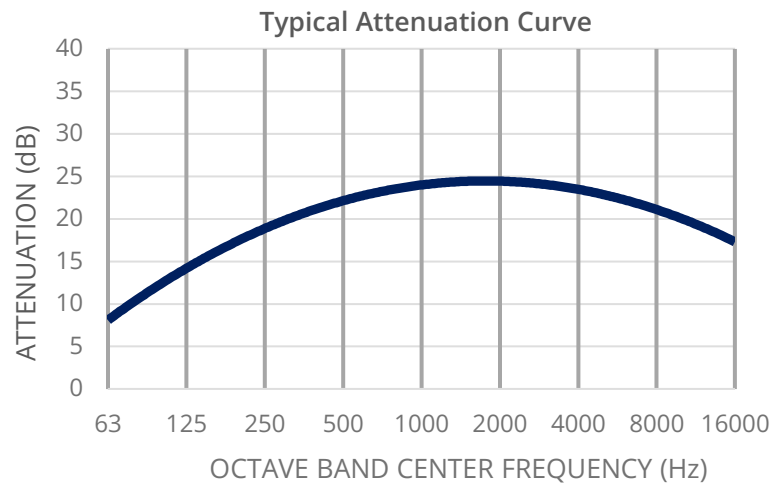
Designed for Easy Replacement. Our industrial silencers are engineered to match the dimensions of common industry models—including the RIS, SD, and D32 straight-thru models and the RISY, SDY, and D32H L-connection models—making it ideal for emergency replacements, fast maintenance swaps, retrofit upgrades, and municipal compliance conversions.

Equivalent Performance You Can Rely On. Our industrial blower silencers have equivalent acoustic attenuation and pressure drop performance to established industry models.

These silencers can be used on either the inlet or discharge side of the blower. For the best performance, your blower silencer should be located as close as possible to the blower connections, and should sit between the blower and any control or check valves.



- **Thicker, more durable shell**
- **Better corrosion resistance**
- **Improved abrasion durability**
- **Longer service life**
- **Cleaner appearance over time**



Built for Durability, Even in the Harshest Environments. After extensive testing, we determined that constructing our silencers' shells from thicker 11 gauge steel met our attenuation requirements while also making our silencers much more durable. And unlike other brands that ship silencers with only a basic primer coating, our pdblowers blower silencers feature an industrial-grade powder coat finish for the most dependable performance. In facilities where moisture, chemicals, and constant operation are part of daily life, durability isn't optional.

**MADE
in the
USA**

BABA Compliance Made Simple. If your project involves federal infrastructure funding, compliance is critical. These silencers are manufactured using domestic steel at our headquarters in Gainesville, Georgia, and are compliant with the Build America, Buy America (BABA) Act. Documentation is available upon request. No sourcing uncertainty. No project approval risk.

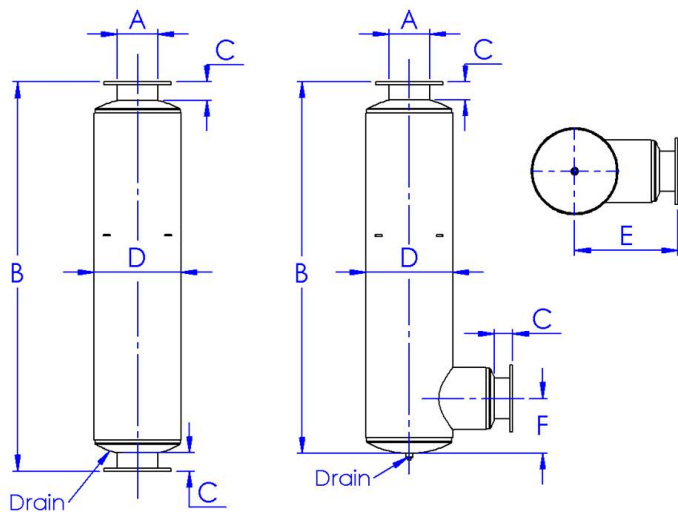
Industrial Blower Silencers

Chamber-Absorptive

SILENCER CAPACITY

MODEL NUMBER		NOZZLE SIZE	VELOCITY	INLET SILENCER	DISCHARGE SILENCER (FLOW AT INLET)				
S-Connection	L-Connection	INCH	FPM	ACFM	4 PSIG	6 PSIG	8 PSIG	10 PSIG	15 PSIG
B2-SAT		2	5503	129	152	161	169	177	198
B2.5-SAT		2.5	5503	183	214	227	239	250	279
B3-SAT		3	5503	282	331	351	369	387	432
B4-SAT		4	5503	486	570	605	637	666	744
B5-SAT		5	5503	764	896	950	1000	1047	1169
	B6-LAF	6	5503	1103	1294	1372	1445	1512	1688
	B8-LAF	8	5503	1911	2240	2377	2502	2618	2923
	B10-LAF	10	5503	3012	3531	3746	3944	4126	4607
MAXIMUM TEMP: 350°F			EST TEMP	70°F	115°F	140°F	165°F	190°F	240°F

SILENCER DIMENSIONS



MODEL	A	B	C	D	E	F	DRAIN	WEIGHT
B2-SAT	2	28.5	3	8.25	-	-	0.5	20
B2.5-SAT	2.5	33	3	8.25	-	-	0.5	30
B3-SAT	3	39	3	8.25	-	-	0.5	40
B4-SAT	4	45	3	10.25	-	-	0.5	61
B5-SAT	5	57.5	3	12.25	-	-	0.5	97
B6-LAF	6	61	3	14.25	17	10	0.5	147
B8-LAF	8	69	3	18.25	21.5	12	0.5	245
B10-LAF	10	82	3.5	22.25	25.5	13.5	1	317

All measurements shown in inches and pounds

CUSTOM OPTIONS

We're not just an industrial supplier, we're blower system specialists with over 35 years of engineering and fabricating pressure and vacuum systems. If your application has unique challenges or requirements, our engineering team would be happy to discuss.

Alternate Coatings. If our standard powder coat finish does not meet your project requirements, we are no stranger to custom finishing; including specific paint products and colors, high performance ceramic polymer coatings, and even polyurea linings.

Stainless Steel Construction. We have manufactured silencers from stainless steel for installation in harsh environments where corrosion is a major concern.

Custom Connections and Brackets. From metric DIN flanges and special instrument connectors to different connection layouts or special mounting brackets, we work with OEMs to produce the silencers that fit your specific needs.

Testing. If your products must be tested for performance or air tightness, we have the ability to provide on-site testing to meet your requirement.